

[Back to table of contents](#)

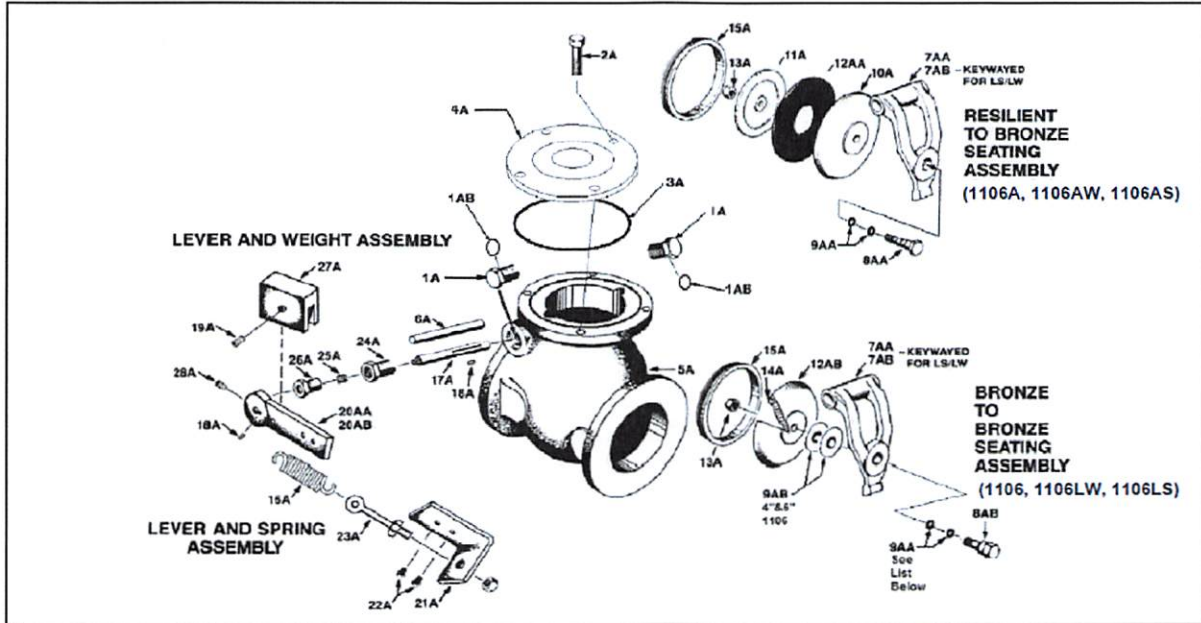
AWWA

**SWING CHECK VALVES 2"-12"
TECHNICAL DATA & PARTS LIST**

Resilient/Bronze - Figure # 1106A, 1106AW, 1106AS

Bronze/Bronze - Figure # 1106, 1106LW, 1106LS

KENNEDY VALVE



Part No.	Qty.	Description	Material & ASTM Spec.
1A With 1AB (O-Ring)	2 1 for LS/LW	Side Plug With O-Ring	Bronze
2A	* SEE FOOT NOTE	Cap Bolts	Stainless Steel, ASTM F593C (18-8)
3A	1	O-Ring	Syn. Rubber
4A	1	Cap	Cast Iron, ASTM A126 Class B
5A	1	Body	Cast Iron, ASTM A126 Class B
6A	1	Hinge Pin	SS A-276 (304)
7AA	1	Hinge	Bronze (2"-3") D.I. A-536 (4"-12")
7AB	1	Hinge w/keyway for LS/LW	Bronze (2"-3") Ductile Iron ASTM A536 (4"-12")
8AA	1	Disc Bolt (4"-12")	Bronze (4"-12")
8AB	1	Disc Bolt (4"-12")	Bronze (10"-12") Steel (4"-8")
9AA	2	Disc Bolt O-Ring (4"-12" 1106A, 8"-12" 1106)	Syn. Rubber
9AB	2	Disc Bolt Gasket (4" & 8" 1106)	
10A	1	Disc Holder	Bronze (2"-3") *** Cast Iron, ASTM A126 Class B (4"-12")
11A	1	Disc Plate	Bronze
12AA	1	Disc	Nitrile (Buna N) Rubber
12AB**	1	Disc	Bronze (2"-3") *** Cast Iron, ASTM A126 Class B (4"-12")
13A	1 2 w/resilient disc (2"-3")	Disc Nut	Stainless Steel, ASTM F593C (18-8)
14A**	1	Disc Ring (4"-12") --- (2"-3")***	Bronze
15A	1	Seat Ring	Bronze
16A	1	Spring	Steel
17A	1	Extended Hinge Pin for LS/LW	Stainless Steel, ASTM A-276 (304)
18A	2	Key for LS/LW	Stainless Steel, ASTM A-276 (304)
19A	1	Set Screw	Steel
20AA	1	Lever Arm for LS	Steel
20AB	1	Lever Arm for LW	Steel
21A	1	Bracket	Steel
22A	2	Hex Head Bracket Bolt	Steel
23A	1	Eye Bolt w/2 Hex Nuts	Steel
24A	1	Stuffing Box	Bronze
25A	-	Packing	Graphite Filled
26A	1	Gland	Bronze
27A	1	Weight	Cast Iron, ASTM A126 Class B
28A	1	Set Screw	Steel

* Qty of cover bolts, 2"-8" = 4 bolts, 10"-12" = 6 bolts.
** Denotes that part is available only as part of an assembly.
***Cast Integral (2"-2")

AWWA IRON SWING CHECK VALVE PARTS 1106/1106A, LS & LW[Back to table of contents.](#)[Parts Continued ▶](#)

Item #	Description	2"	Part #	2 1/2"	Part #	3"	Part #
1A	Side Plug (2 in 1106's, 1-LS/LW)	\$ 43.00	3160885	\$ 43.00	3160885	\$ 43.00	3160885
1AB	Side Plug O-Rings (2 in 1106's, 1 LS/LW)	\$ 4.00	442731P	\$ 4.00	442731P	\$ 4.00	442731P
2A	Cap Bolts (price each)	\$ 11.00	460228P	\$ 11.00	460228P	\$ 11.00	460231P
3A	Cap O-Ring	\$ 15.00	442790P	\$ 15.00	442790P	\$ 18.00	442790P
4A	Cap	\$ 112.00	3103330	\$ 112.00	3103330	\$ 120.00	3103330
5A & 15A	Body with Seat Ring	\$ 450.00	3101042	\$ 536.00	3101052	\$ 694.00	3101062
6A	Hinge Pin (Plain)	\$ 48.00	445100P	\$ 48.00	445101P	\$ 57.00	445102P
7AA	Hinge (Plain)	\$ 86.00	3164202	\$ 108.00	3163522	\$ 126.00	3164222
*7AB	Hinge w/keyway for LS/LW	\$ 108.00	3164203	\$ 123.00	3163523	\$ 143.00	3164223
10A	Disc Holder	\$ 90.00	3120602	\$ 100.00	3120432	\$ 139.00	3118382
11A	Disc Plate	\$ 44.00	442902P	\$ 65.00	445360P	\$ 69.00	460094P
12AA	Disc (Rubber Faced)	\$ 35.00	440890P	\$ 35.00	440891P	\$ 45.00	440879P
12AB	Disc (Bronze Faced)	\$ 85.00	3120422	\$ 85.00	3121022	\$ 141.00	3120442
13A	Disc Nut	\$ 11.00	460365P	\$ 11.00	460209P	\$ 11.00	460209P
15A	Seat Ring	\$ 45.00	3146891	\$ 59.00	3146631	\$ 72.00	3146641
16A	Spring	\$ 20.00	444613P	\$ 20.00	444613P	\$ 20.00	444613P
*17A	Extended Hinge Pin for LS/LW	\$ 195.00	3226472	\$ 195.00	3226482	\$ 219.00	3168232
18A	Key for LS/LW	\$ 7.00	3169592	\$ 7.00	3169592	\$ 7.00	3169592
19A	Set Screw for Weight	\$ 11.00	444024P	\$ 11.00	444024P	\$ 11.00	444024P
20AA	Lever Arm for L/S	\$ 72.00	315388A	\$ 72.00	315388A	\$ 72.00	315388A
20AB	Lever Arm for L/W	\$ 72.00	315388A	\$ 72.00	315388A	\$ 72.00	315388A
21A	Bracket	\$ 46.00	3366052	\$ 46.00	3366052	\$ 46.00	3366052
22A	Hex Head Bracket Bolt	\$ 5.00	444389P	\$ 5.00	444389P	\$ 5.00	444389P
23A	Eye Bolt (w/2 Hex Nuts)	\$ 49.00	440238P	\$ 49.00	440238P	\$ 49.00	440238P
	(Eye Bolt) w/2 Hex Nuts	**	442410P	**	442410P	**	442410P
24A	Stuffing Box (LS/LW)	\$ 118.00	3140735	\$ 118.00	3140735	\$ 118.00	3140735
	Stuffin Box O-ring (1 req. LS/LW)	\$ 4.00	442731P	\$ 4.00	442731P	\$ 4.00	442731P
25A	Packing	\$ 22.00	3477501	\$ 22.00	3477501	\$ 22.00	3477501
26A	Gland	\$ 53.00	3141574	\$ 53.00	3141574	\$ 53.00	3141574
27A	Weight	\$ 89.00	3163053	\$ 89.00	3163053	\$ 138.00	3163053
28A	Set Screw For Lever	\$ 11.00	443928P	\$ 11.00	443928P	\$ 11.00	443928P

** Price per pair or set (1 each of a bolt & nut)

* Not interchangeable with parts manufactured prior to 1978 - must order hinge & pin.

▶ **Note:** Above part codes for current production only. Please specify year of manufacture when ordering.
2", 2 1/2" and 3" check valves require 2 disc nuts per valve for the rubber faced check valves only.

AWWA IRON SWING CHECK VALVE PARTS 1106/1106A, LS, LW

◀ Back One Page	Back to table of contents.	Parts Continued ▶		
Item #	Description	4" Part #	6" Part #	8" Part #
1A	Side Plug (2 in 1106's, 1 - LS/LW)	\$ 53.00 3160905	\$ 72.00 3160955	\$ 99.00 3160685
1AB	Side Plug O-Rings (2 in 1106's, 1- LS/LW)	\$ 4.00 477531P	\$ 4.00 442642P	\$ 4.00 442625P
2A	Cap Bolts (price each)	\$ 14.00 444430P	\$ 15.00 460236P	\$ 16.00 460247P
3A	Cap O-Ring	\$ 18.00 442611P	\$ 23.00 442794P	\$ 27.00 442768P
4A	Cap	\$ 193.00 3103340	\$ 325.00 3103360	\$ 409.00 3103380
5A & 15A	Body with Seat Ring	\$ 1,052.00 3101082	\$ 1,730.00 3101122	\$ 2,702.00 3101162
6A	Hinge Pin (Plain)	\$ 75.00 445103P	\$ 119.00 445105P	\$ 159.00 445106P
7AA	Hinge (Plain)	\$ 163.00 3163555	\$ 226.00 3163575	\$ 280.00 3163585
*7AB	Hinge w/keyway for LS/LW	\$ 183.00 3163558	\$ 246.00 3163578	\$ 336.00 3163588
8AA	Disc Bolt (Rubber Faced)	\$ 56.00 3154634	\$ 149.00 3154637	\$ 176.00 3154639
8AB	Disc Bolt (Bronze Faced)	\$ 47.00 440230P	\$ 56.00 440232P	\$ 65.00 440234P
9AA	Disc Bolt O-ring (Rubber) 2 req.	\$ 7.00 442634P	\$ 7.00 442636P	\$ 7.00 442636P
9AB	Disc Bolt Gasket (Bronze) 2 req.	\$ 7.00 441865P	\$ 7.00 441867P	\$ 7.00 441867P
10A	Disc Holder	\$ 143.00 3115964	\$ 315.00 3115984	\$ 472.00 3116074
11A	Disc Plate	\$ 88.00 3157022	\$ 178.00 3157032	\$ 288.00 3157042
12AA	Disc (Rubber Faced)	\$ 95.00 440881P	\$ 148.00 440885P	\$ 192.00 440887P
12AB	Disc (Bronze Faced)	\$ 235.00 2115793	\$ 280.00 2115813	\$ 330.00 2115823
13A	Disc Nut (Bronze)	\$ 16.00 460210P	\$ 19.00 460211P	\$ 19.00 460211P
13AB	Disc Nut (Rubber Faced)	\$ 11.00 460209P	\$ 16.00 460210P	\$ 16.00 460210P
15A	Seat Ring	\$ 84.00 3145574	\$ 106.00 3145584	\$ 185.00 3145594
15AA	Seat Ring O-Ring	\$ - 442714P	\$ - 442658P	\$ - 442716P
16A	Spring	\$ 34.00 444619P	\$ 53.00 444621P	\$ 53.00 444620P
*17A	Extended Hinge Pin for LS/LW	\$ 375.00 3167942	\$ 531.00 3167892	\$ 643.00 3167902
18A	Key for LS/LW (2 per)	\$ 9.00 3169602	\$ 9.00 3169602	\$ 9.00 3169602
19A	Set Screw for Weight	\$ 11.00 444024P	\$ 11.00 444024P	\$ 11.00 444024P
20AA	Lever Arm for L/S	\$ 101.00 315389A	\$ 118.00 315391A	\$ 134.00 315392A
20AB	Lever Arm for L/W	\$ 101.00 315389A	\$ 118.00 315391A	\$ 134.00 315392A
21A	Bracket	\$ 63.00 3366062	\$ 78.00 3366072	\$ 92.00 3366082
22A	Hex Head Bracket Bolt (2 per)	\$ 5.00 444402P	\$ 5.00 444410P	\$ 5.00 444410P
23A	Eye Bolt (w/2 Hex Nuts)	\$ 49.00 440236P	\$ 49.00 440236P	\$ 49.00 440236P
	(Eye Bolt) w/2 Hex Nuts	** 442412P	** 442412P	** 442412P
24A	Stuffing Box	\$ 149.00 3140745	\$ 166.00 3140755	\$ 183.00 3140765
	Stuffing Box O-ring (1 req. for LS/LW)	\$ 4.00 477531P	\$ 4.00 442642P	\$ 4.00 442625P
25A	Packing	\$ 29.00 3477681	\$ 34.00 3477641	\$ 39.00 3477502
26A	Gland	\$ 53.00 3141594	\$ 67.00 3141614	\$ 74.00 3141624
27A	Weight	\$ 154.00 3163053	\$ 154.00 3163053	\$ 162.00 3163083
28A	Set Screw For Lever	\$ 11.00 443986P	\$ 11.00 443986P	\$ 11.00 443986P

** Price per pair or set (1 each of a bolt & nut)
 * Not interchangeable with parts manufactured prior to 1978 - must order hinge & pin.
 Above part codes for current production only. Please specify year of manufacture when ordering.

1106 Flat Cap Gaskets		
2"	441732P	\$ 15.00
2 1/2"	441733P	\$ 15.00
3"	441734P	\$ 18.00
4"	441735P	\$ 18.00
6"	441737P	\$ 23.00
8"	441738P	\$ 27.00
10"	441739P	\$ 40.00
12"	441740P	\$ 48.00

AWWA SWING CHECK VALVE PARTS 1106/1106A, LS & LW

[◀ Back One Page](#)
[Back to table of contents.](#)

Item #	Description	10"	Part #	12"	Part #
1A	Side Plug (2 in 1106's, 1 - LS/LW)	\$ 136.00	3160765	\$ 136.00	3160765
1AB	Side Plug O-Rings (2 in 1106, 1-LS/LW)	\$ 4.00	442659P	\$ 4.00	442659P
2A	Cap Bolts (price each)	\$ 16.00	460247P	\$ 20.00	460247P
3A	Cap O-Ring	\$ 40.00	442769P	\$ 48.00	442770P
4A	Cap	\$ 630.00	3103400	\$ 746.00	3103420
5A & 15A	Body with Seat Ring	\$ 4,562.00	3101202	\$ 6,251.00	3101242
6A	Hinge Pin (Plain)	\$ 222.00	445107P	\$ 320.00	445108P
7AA	Hinge (Plain)	\$ 452.00	3163695	\$ 586.00	3163705
*7AB	Hinge w/keyway for LS/LW	\$ 574.00	3163698	\$ 623.00	3163708
8AA	Disc Bolt (Rubber Faced)	\$ 185.00	3154641	\$ 225.00	3154643
8AB	Disc Bolt (Bronze Faced)	\$ 108.00	3154640	\$ 161.00	3154642
9AA	Disc Bolt O-ring	\$ 7.00	442638P	\$ 7.00	442640P
10A	Disc Holder	\$ 590.00	3116094	\$ 782.00	3120554
11A	Disc Plate	\$ 389.00	3157052	\$ 432.00	3157062
12AA	Disc (Rubber Faced)	\$ 228.00	440898P	\$ 263.00	440899P
12AB	Disc (Bronze Faced)	\$ 525.00	2116093	\$ 812.00	2120553
13A	Disc Nut (bronze to bronze or Rubber Faced)	\$ 19.00	460211P	\$ 22.00	460234P
15A	Seat Ring	\$ 253.00	3146694	\$ 304.00	3146704
15AA	Seat Ring O-Ring	\$ 40.00	442677P	\$ 48.00	442679P
16A	Spring	\$ 174.00	444622P	\$ 174.00	444622P
*17A	Extended Hinge Pin for LS/LW	\$ 817.00	3226502	\$ 1,125.00	3167882
18A	Key for LS/LW (2 per)	\$ 12.00	3169622	\$ 12.00	3169622
19A	Set Screw for Weight	\$ 11.00	444024P	\$ 11.00	444024P
20AA	Lever Arm for L/S	\$ 145.00	315393A	\$ 161.00	315394A
20AB	Lever Arm for L/W	\$ 145.00	315393A	\$ 161.00	315393A
21A	Bracket	\$ 92.00	3366092	\$ 98.00	3366102
22A	Hex Head Bracket Bolt (2 per)	\$ 5.00	444406P	\$ 5.00	444406P
23A	Eye Bolt (w/2 Hex Nuts)	\$ 49.00	440236P	\$ 49.00	440236P
	Hex Nuts	**	442412P	**	442412P
24A	Stuffing Box	\$ 225.00	3140773	\$ 225.00	3140773
	Stuffing Box O-ring (1 required for LS/LW)	\$ 4.00	442659P	\$ 4.00	442659P
25A	Packing	\$ 43.00	3477682	\$ 43.00	3477682
26A	Gland	\$ 82.00	3141634	\$ 82.00	3141634
27A	Weight	\$ 228.00	3163093	\$ 296.00	3163103
28A	Set Screw For Lever	\$ 11.00	443986P	\$ 11.00	443986P

** Price per pair or set (1 each of a bolt & nut)

* Not interchangeable with parts manufactured prior to 1978 - must order hinge & pin.

Above part codes for current production only. Please specify year of manufacture when ordering.