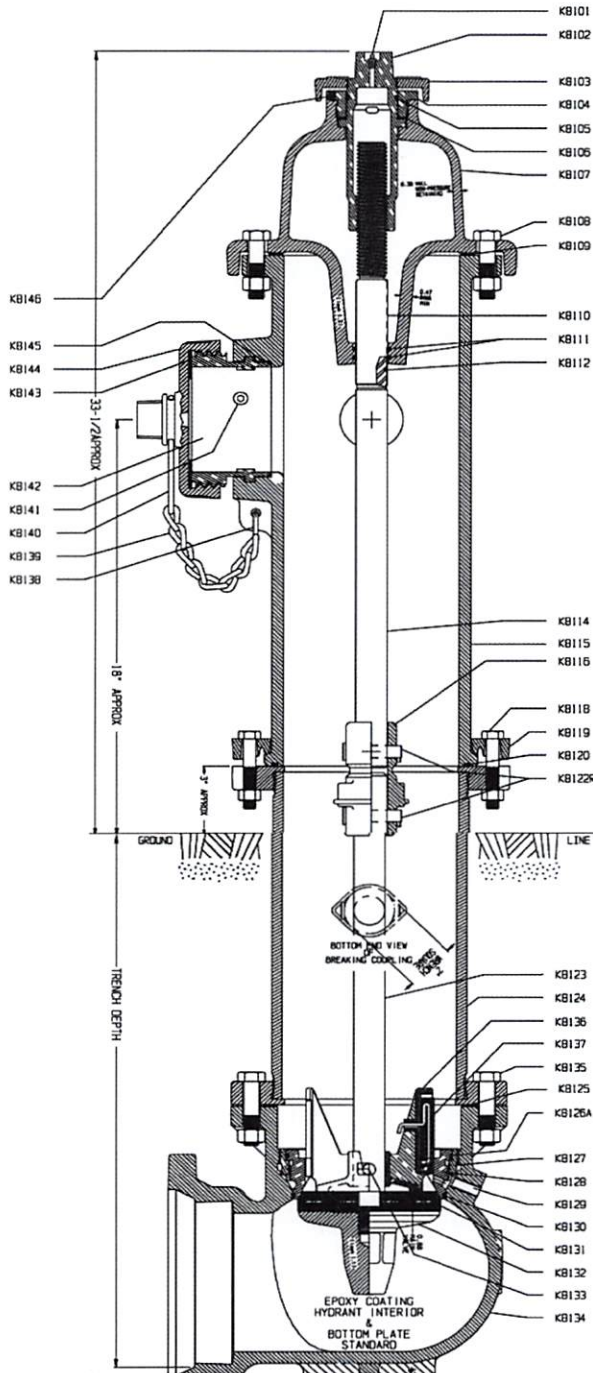


# Guardian K81D Technical/Dimensional Data (AWWA-UL/FM)

URNS TO OPEN = 15 1/2

[Page 2 of K81 Parts](#)

[Back to table of contents](#)

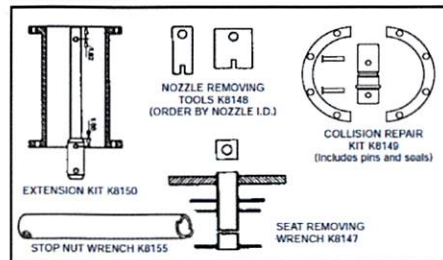


## PARTS LIST

DETAIL	PART	MATERIAL	ASTM SPEC (or as stated)	
	KB101	ALEMITE FITTING	STAINLESS STEEL	A276 (304)
†	KB102	OPERATING STEM NUT	BRONZE	B584 CB4400/AWWA GR A
	KB103	DIRT SHIELD	CAST IRON	A126 CLASS B
	KB104	STEM LOCK NUT	BRONZE	B584 CB4400/AWWA GR A
†	KB105	O-RING	VITON	D2000
†	KB106	THRUST WASHER	NYLATRON GS	MIL LP-410
	KB107	HYDRANT CAP	CAST IRON	A126 CLASS B
	KB108	CAP BOLTS & NUTS	STEEL (ZINC PLATED)	A 307/SAE GR 2
†	KB109	CAP GASKET	CLOTH INSERTED RUBBER	D2000
*	KB110	STEM FERRULE	NAVAL BRASS	B21-CDA 464
†	KB111	O-RING	BUNA-N (SYN. RUBBER)	D2000
*	KB112	O-RING	BUNA-N (SYN. RUBBER)	D2000
	KB114	UPPER STEM	C.R. STEEL	A108
	KB115	UPPER BARREL	CAST IRON	A126 CLASS B
	KB116	STEM BREAKING COUPLING	CAST IRON	A126 CLASS B
	KB118	BOLTS & NUTS	STEEL (ZINC PLATED)	A 307/SAE GR 2
	KB119	BREAKING RING	CAST IRON	A126 CLASS B
	KB120	O-RING	BUNA-N (SYN. RUBBER)	D2000
	KB122R	COUPLING PINS	STAINLESS STEEL	18-8
	KB123	LOWER STEM	C.R. STEEL	A108
	KB124	LOWER BARREL	DUCTILE IRON (C.I. on request)	ANSI 21.50, 21.51
†	KB125	ELBOW GASKET	CELLULOSE FIBER	FED F339477M4
†	KB126A	O-RING	BUNA-N (SYN. RUBBER)	D2000
*	KB127	SEAT RING INSERT	BRONZE	B584 CB4400/AWWA GR A
†	KB128	SEAT RING	BRONZE	B584 CB4400/AWWA GR A
	KB129	DRAIN TUBE	NAVAL BRASS	B21-CDA 464
†	KB130	O-RING	BUNA-N (SYN. RUBBER)	D2000
†	KB131	MAIN VALVE	EPDM W/STEEL INSERT	D2000
	KB132	BOTTOM PLATE	CAST IRON	A126 CLASS B
	KB133	DRAIN VALVE PIN	STEEL-302/304 STAINLESS	A276 (304)
	KB134	ELBOW	DUTILE IRON	A536 GRADE 70-50-5
	KB135	ELBOW BOLTS AND NUTS	STEEL-302/304 STAINLESS	ASTM F593-304
	KB136	DRAIN VALVE	BRONZE	B584 CB4400/AWWA GR A
†	KB137	DRAIN VALVE FACING W/INSERT	BUNA-N W/STAINLESS STEEL	D2000/A276 (304)
	KB138	NOZZLE CHAIN 'S' HOOK	STEEL	A108
	KB139	NOZZLE CAP CHAIN	STEEL	A108
	KB140	NOZZLE CHAIN BAND	STEEL	A108
†	KB141	NOZZLE RETAINING SCREW	STAINLESS STEEL	A276 (304)
#	KB142	NOZZLE	BRONZE	B584 C83600
#	KB143	NOZZLE CAP GASKET	RUBBER	D2000 TYPE AA
#	KB144	NOZZLE CAP	CAST IRON	A126 CLASS B
#	KB145	O-RING	BUNA-N (SYN. RUBBER)	D2000
	KB146	ALLEN HEAD SET SCREW	STAINLESS STEEL	A276 (410)
	KB147	SEAT REMOVAL WRENCH		
	KB148	NOZZLE REMOVAL TOOLS		
†	KB149	COLLISION REPAIR KIT		
	KB150	GRADE EXTENSION KIT		

\* Denotes that part is available only as part of an assembly.  
# Must specify type of Nozzle, Hose or Steamer.  
† Recommended spare parts.

## Accessories



Style	Shoe Size	A	MARKINGS	
M.J.	4	7 3/4	FRONT	BACK
M.J.	6	8	YEAR	SIZE
Flange	4	7 7/8	KENNEDY	K.V. MONOGRAM
Flange	6	8 1/8	U.S.A.	KENNEDY
Tyton	6	9	UL / FM	ELMHRA, NY
			TYPE	AWWA

## GUARDIAN FIRE HYDRANT PARTS K81D & K81A

[Back to table of contents.](#)
[Page 2 of Hydrant Parts](#)

Item #	Description	4 1/2"	Part #	5 1/4"	Part #
K-8101	Alemite Fitting	\$ 7.00	441670P	\$ 7.00	441670P
K-8102	Operating Stem Nut O/L Pent. 1 1/2"	\$ 243.00	3199502	\$ 243.00	3199502
	Operating Stem Nut O/R Pent. 1 1/2"	\$ 243.00	319950R	\$ 243.00	319950R
	Note: If other than NST please provide specs				
K-8103	Dirt Shield - O/L (Specify Color)	\$ 38.00	3212132	\$ 38.00	3212132
	Dirt Shield - O/R (Specify Color)	\$ 38.00	321213R	\$ 38.00	321213R
K-8104	Stem Lock Nut	\$ 75.00	3185944	\$ 75.00	3185944
**K-8105	O-Ring (Stem Nut)	\$ 11.00	442704P	\$ 11.00	442704P
K-8106	Thrust Washer	\$ 4.00	445843P	\$ 4.00	445843P
K-8107	Hydrant Cap (specify color when ordering)	\$ 370.00	3313922	\$ 386.00	3185962
K-8108	Cap Bolts (8 req. ea. 4 1/2") price per each	\$ 7.00	444352P		
	Cap Nuts (8 req. ea. 4 1/2") price per each	\$ 3.00	477495P		
	Cap Bolts (6 req. ea. 5 1/4") price per each			\$ 7.00	444357P
	Cap Nuts (6 req. ea. 5 1/4") price per each			\$ 3.00	477497P
*K-8109	Cap Gasket	\$ 22.00	441799P	\$ 22.00	441803P
*K-8109-O	Cap O-Ring (2009 models and above)	\$ 22.00	442772P	\$ 22.00	442794P
K-8110	Stem Ferrule is an integral part of the upper stem - not available as a separate part				
*K-8111	O-Ring (Cap) (2 req.)	\$9.00	442644P	\$9.00	442644P
K-8112	O-Ring (Stem Ferrule) is an integral part of the upper stem - not available as a separate part				
**K-8114	Upper Stem O/L	\$ 223.00	2310192	\$ 223.00	2310192
	Upper Stem O/R	\$ 223.00	2310193	\$ 223.00	2310193
K-8115	Upper Barrel K81D (3 way) specify color	\$ 892.00	3187732	\$ 1,089.00	3188022
	Upper Barrel K81D (2 way) specify color	\$ 892.00	3187742	\$ 1,089.00	3188052
	Upper Barrel K81A (3 way) specify color	\$ 892.00	3313932	\$ 1,089.00	3187522
	Upper Barrel K81A (2 way) specify color	\$ 892.00	3187552	\$ 1,089.00	3187432
K-8116	Stem Breaking Coupling	\$ 108.00	318563P	\$ 108.00	318563P
K-8118	Breaking FLG. Bolts (8 req.) price each	\$ 9.00	444339P	\$ 9.00	444339P
	Breaking FLG. Nuts (8 req.) price each	\$ 5.00	442482P	\$ 5.00	442482P
K-8119	Breaking Ring (2 req.) price each	\$ 58.00	340413B	\$ 58.00	340415B
	Breaking Ring Straps (2 req.) price each	\$ 4.00	441416p	\$ 4.00	441414P
K-8120	O-Ring (Standpipe)	\$ 22.00	441666P	\$ 22.00	441664P
k-8121	Clevis Pin	\$ 12.00	443012P	\$ 12.00	443012P
K-8122R	Coupling Pins (2 req.) price each	\$ 18.00	443022P	\$ 18.00	443022P
K-8123	Lower Stem 5' 0" Trench or less	\$ 223.00	***	\$ 223.00	***
	ADD for each additional 6" increase of depth	\$ 21.00	***	\$ 21.00	***
	Nylon Pin (comes on lower stem threads)	\$ 8.00	445913P	\$ 8.00	445913P
K-8124	Lower Barrel 5' 0" Trench or less	\$ 1,089.00	***	\$ 1,089.00	***
	ADD for each additional 6" increase of depth	\$ 129.00	***	\$ 129.00	***
*K-8125	Elbow Flat Gasket	\$ 22.00	441800P	\$ 22.00	441805P
*K-8125-O	Elbow O-Ring (2009 models and above)	\$ 22.00	442793P	\$ 22.00	442767P
*K-8126A	O-Ring (Upper Seat)	\$ 12.00	442660P	\$ 12.00	442658P
K-8126B	O-Ring for 4 1/2" MVO only	\$ 10.00	442789P	N/A	N/A
K-8127	Seat Ring Insert for 4 1/2" MVO only	\$ 141.00	3313973	N/A	N/A
*K-8128	Seat Ring	\$ 251.00	3313962	\$ 317.00	3196772
K-8129	Drain Tube (2 req.) price per each	\$ 7.00	440555P	\$ 7.00	440555P
K-8130	O-Ring (Lower Seat)	\$ 12.00	442785P	\$ 12.00	442740P
K-8131	Main Valve	\$ 148.00	445906P	\$ 179.00	445904P
K-8132	Bottom Plate	\$ 80.00	3185805	\$ 103.00	3316399
K-8133	Drain Valve Pin	\$ 18.00	442949P	\$ 18.00	442949P
K-8134	4" MJ Elbow for 4 1/2" MVO only	\$ 708.00	2316423	N/A	N/A
	4" FL Elbow for 4 1/2" MVO only	\$ 708.00	3316432	N/A	N/A
K-8134	6" MJ Elbow	\$ 862.00	2313916	\$ 1,251.00	2215632
	6" Flanged Elbow	\$ 862.00	2310192	\$ 1,251.00	2200025
	6" Tyton Elbow	\$ 862.00	2310235	\$ 1,251.00	2310235
K-8135	Elbow SS Bolts (8 req. Ea.) price per each	\$ 10.00	460032P	\$ 10.00	460241P
	Elbow SS Nuts (8 req. Ea.) price per each	\$ 3.00	460218P	\$ 3.00	460212P

\* Recommend Spare Parts

\*\* Need Direction of Open

\*\*\* Part Number Changes Based on Specs. (Nut size, trench depth, end conj., thread spec. etc.)



## K81 HYDRANT EXTENSIONS/ PARTS

[Back to table of contents.](#)

### EXTENSION KITS

Item # K-8150	Size	5 1/4"	Part Number
	6"	\$787.00	1585006R2X81DDI
	12"	\$919.00	1585012R2X81DDI
	18"	\$1,043.00	1585018R2X81DDI
	24"	\$1,133.00	1585024R2X81DDI
	30"	\$1,665.00	1585030R2X81DDI
	36"	\$1,786.00	1585036R2X81DDI
	42"	\$1,860.00	1585042R2X81DDI
	48"	\$2,213.00	1585048R2X81DDI
	54"	\$2,383.00	1585054R2X81DDM
	60"	\$2,426.00	1585060R2X81DDM
Size	4 1/2"	Part Number	
	6"	\$705.00	1583006R2X81DDI
	12"	\$828.00	1583012R2X81DDI
	18"	\$888.00	1583018R2X81DDI
	24"	\$976.00	1583024R2X81DDI
	30"	\$1,620.00	1583030R2X81DDI
	36"	\$1,740.00	1583036R2X81DDI
	42"	\$1,755.00	1583042R2X81DDM
	48"	\$1,848.00	1583048R2X81DDM
	54"	\$2,000.00	1583054R2X81DDM
	60"	\$20,043.00	1583060R2X81DDM

### EXTENSION PARTS

INCLUDED IN ALL EXTENSIONS		PART#	COST	ALL INTERNAL PARTS	
QTY.				COST:	\$183.00
1	EXTENSION COUPLING	318550P	\$108.60	PART#	158412581EKITLSS
2	COUPLING PIN	443025P	\$20.33	(Does not include Spool or Stem)	
1	O-RING	441664P	\$21.87		
2	GASKET	441803P	\$21.17		
8	NUT (each)	442482P	\$4.14		
8	BOLT (each)	444339P	\$8.25		
1	SPOOL		POA		
1	STEM		POA		

6" EXTENSION		12" EXTENSION		18" EXTENSION	
SPOOL 41/2	2315602	SPOOL 41/2	2315612	SPOOL 41/2	2315622
SPOOL 51/4	2315702	SPOOL 51/4	2315712	SPOOL 51/4	2315722
STEM	3199792	STEM	3199802	STEM	3199812

24" EXTENSION		30" EXTENSION		36" EXTENSION	
SPOOL 41/2	2315632	SPOOL 41/2	2315642	SPOOL 41/2	2315652
SPOOL 51/4	2315732	SPOOL 51/4	2315742	SPOOL 51/4	2315752
STEM	3199832	STEM	3199842	STEM	3199872

42" EXTENSION	
SPOOL 41/2	2315662
SPOOL 51/4	2315762
STEM	3199873