

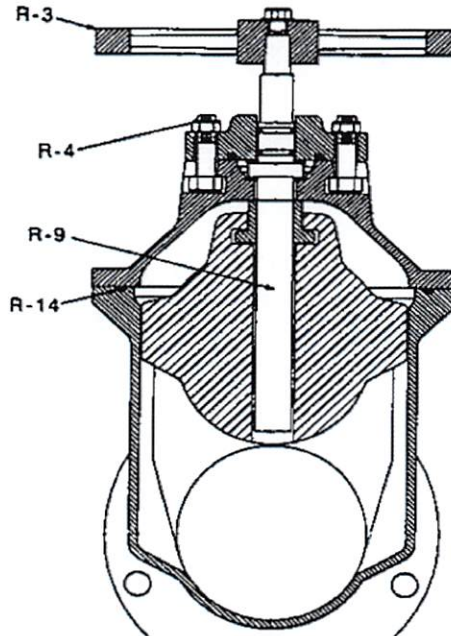
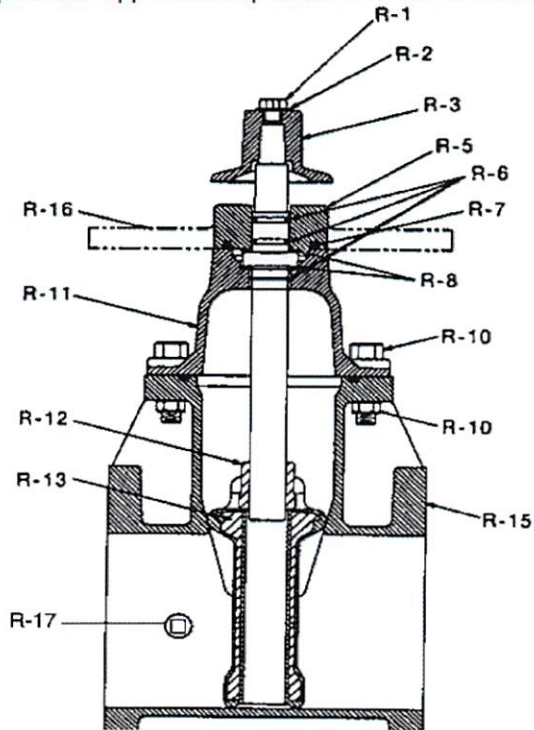
[Back to table of contents](#)



Complies with applicable requirements of AWWA C509

**RESILIENT SEAT GATE VALVE  
N.R.S. ASSEMBLY  
KS-FW**

KENNEDY VALVE MODEL KS-FW



PIPE PLUG STANDARD ON FLANGE & GROOVE VALVES @ POSITION "A"

DET.	NAME OF PART	MATERIAL	ASTM SPEC.	
R-1	Hex Head Bolt	Stainless Steel	ASTM F593C	
R-2	Flat Washer	Zinc Plated Steel	ASTM A307	
R-3	Operating Nut	Cast Iron	ASTM A126 Class B	
	Handwheel	Cast Iron	ASTM A126 Class B	
R-4	Hex Bolt & Nut	Stainless Steel	ASTM F593C/F594	
R-5	Stuffing Box	2" thru 8"	Cast Iron	ASTM A126 Class B
		10" and 12"	Ductile Iron	ASTM A536 Grade 70-50-5
R-6	O-Ring (Stem)	Buna - N	-----	
R-7	O-Ring (Stuffing Box)	Buna - N	-----	
R-8	Thrust Washer	Delrin	-----	
R-9	Stem	Bronze	ASTM B584 C86700	
R-10	Hex Head Cover Bolts & Nuts	Stainless Steel	ASTM F593C/F594	
R-11	Cover	Cast Iron	ASTM A126 Class B	
R-12	Stem Nut	Bronze (NDZ)	ASTM B763 C99500	
R-13	Wedge (EPDM Encapsulated)	Ductile Iron	ASTM A536 Grade 70-50-5	
R-14	O-Ring (Cover)	Buna - N	-----	
R-15	Body (All Types)	Cast Iron	ASTM A126 Class B	
R-16	Plate	Cast Iron	ASTM A126 Class B	
R-17	Pipe Plug: 1/2"; 2 1/2"-4"--3/4"; 6'-12"	Galvanized Steel	-----	

**AWWA C-509 KS-FW NRS RESILIENT SEATED GATE VALVE PARTS**[Back to table of contents.](#)

Item #	Description	2"	Part #	2 1/2"	Part#	3"	Part #
R-1	Hold down Hex Bolt	\$ 6.00	460237P	\$ 6.00	460237P	\$ 6.00	460237P
R-2	Hold down Bolt Washer	\$ 2.00	445794P	\$ 2.00	445794P	\$ 2.00	445794P
R-3	Operating Nut O/L	\$ 28.00	328080&	\$ 28.00	328080&	\$ 28.00	328081&
	Operating Nut O/R	\$ 28.00	328085&	\$ 28.00	328085&	\$ 28.00	328086&
	Hand wheel O/L	\$ 82.00	328782&	\$ 82.00	328782&	\$ 82.00	328783&
	Hand wheel O/R	\$ 82.00	3287625	\$ 82.00	3287625	\$ 82.00	3287635
R-4	Stuffing Box Bolts	\$ 3.00	460231P	\$ 3.00	460231P	\$ 3.00	460269P
	Stuffing Box Nuts	\$ 3.00	460218P	\$ 3.00	460218P	\$ 3.00	460218P
R-5	Stuffing Box	\$ 29.00	3301812	\$ 29.00	3301812	\$ 50.00	3301822
R-6	Stem O Ring	\$ 3.00	442638P	\$ 3.00	442638P	\$ 3.00	442550P
R-7	Stuffing Box O Ring	\$ 6.00	442652P	\$ 6.00	442652P	\$ 7.00	442732P
R-8	Thrust Washer	\$ 2.00	445932P	\$ 2.00	445932P	\$ 2.00	445933P
R-9	Stem O/L	\$ 129.00	3280302	\$ 129.00	3280302	\$ 267.00	3280312
	Stem O/R	\$ 129.00	3280303	\$ 129.00	3280303	\$ 267.00	3280313
R-10	Cover Hex Bolts	\$ 3.00	460269P	\$ 3.00	460269P	\$ -	460269P
	Cover Nuts	\$ 3.00	460218P	\$ 3.00	460218P	\$ -	460218P
R-11	Cover	\$ 239.00	3318044	\$ 239.00	3318054	\$ 324.00	3317064
R-12	Stem Nut O/L	\$ 65.00	3281908	\$ 65.00	3281908	\$ 69.00	3281918
	Stem Nut O/R	\$ 65.00	3281909	\$ 65.00	3281909	\$ 69.00	3281919
R-13	Wedge	\$ 210.00	2280982	\$ 253.00	2280992	\$ 277.00	2281002
R-14	Cover O Ring	\$ 8.00	442737P	\$ 11.00	442752P	\$ 16.00	442753P
R-15	Body -**Part #'s avail. on request	\$ 587.00	**	\$ 668.00	**	\$ 706.00	**
R-16	Stuffing Box Plate (UL/FM)	N/A	N/A	N/A	N/A	\$ 224.00	3281872
R-17	Plug	N/A	N/A	\$ 8.00	443475P	\$ 8.00	443475P

Item #	Description	4"	Part #	6"	Part #	8"	Part #
R-1	Hold down Hex Bolt	\$ 6.00	460237P	\$ 6.00	444385P	\$ 6.00	444385P
R-2	Hold down Bolt Washer	\$ 2.00	445794P	\$ 2.00	445832P	\$ 2.00	445832P
R-3	Operating Nut O/L	\$ 28.00	328081&	\$ 28.00	328082&	\$ 28.00	328083&
	Operating Nut O/R	\$ 28.00	328086&	\$ 28.00	328087&	\$ 28.00	328088&
	Hand wheel O/L	\$ 82.00	328783&	\$ 149.00	328786&	\$ 149.00	328788&
	Hand wheel O/R	\$ 82.00	3287635	\$ 149.00	3287665	\$ 149.00	3287685
R-4	Stuffing Box Bolts	\$ 3.00	460301P	\$ 3.00	460241P	\$ 3.00	460242P
	Stuffing Box Nuts	\$ 3.00	460212P	\$ 3.00	460212P	\$ 3.00	460212P
R-5	Stuffing Box	\$ 55.00	3301832	\$ 56.00	3301842	\$ 70.00	3301852
R-6	Stem O Ring	\$ 3.00	442550P	\$ 7.00	442563P	\$ 7.00	442542P
R-7	Stuffing Box O Ring	\$ 7.00	442732P	\$ 7.00	442561P	\$ 7.00	442561P
R-8	Thrust Washer	\$ 2.00	445933P	\$ 3.00	445936P	\$ 3.00	445938P
R-9	Stem O/L	\$ 282.00	3280322	\$ 382.00	3280332	\$ 515.00	3280342
	Stem O/R	\$ 282.00	3280323	\$ 382.00	3280333	\$ 515.00	3280343
R-10	Cover Hex Bolts	\$ 3.00	460269P	\$ 3.00	460242P	\$ 3.00	460243P
	Cover Nuts	\$ 3.00	460218P	\$ 3.00	460212P	\$ 3.00	460212P
R-11	Cover	\$ 363.00	3318084	\$ 401.00	3318124	\$ 453.00	3318164
R-12	Stem Nut O/L	\$ 69.00	3281918	\$ 124.00	3281928	\$ 143.00	3281938
	Stem Nut O/R	\$ 69.00	3281919	\$ 124.00	3281929	\$ 143.00	3281939
R-13	Wedge	\$ 339.00	2280932	\$ 429.00	2280942	\$ 646.00	2280952
R-14	Cover O Ring	\$ 18.00	442754P	\$ 19.00	442562P	\$ 22.00	442662P
R-15	Body -**Part #'s avail. on request	\$ 811.00	**	\$ 1,193.00	**	\$ 1,565.00	**
R-16	Stuffing Box Plate (UL/FM)	\$ 224.00	3281872	\$ 224.00	3281882	\$ 224.00	3281883
R-17	Plug	\$ 8.00	443475P	\$ 8.00	443488P	\$ 8.00	443488P

**AWWA C-509 KS-FW NRS RESILIENT SEATED GATE VALVE PARTS**[Back to table of contents.](#)

Item #	Description	10"	Part #	12"	Part #
R-1	Hold down Hex Bolt	\$ 7.00	460228P	\$ 7.00	460228P
R-2	Hold down Bolt Washer	\$ 3.00	445832P	\$ 3.00	445832P
R-3	Operating Nut O/L	\$ 29.00	328084&	\$ 29.00	328084&
	Operating Nut O/R	\$ 29.00	328089&	\$ 29.00	328089&
	Hand wheel O/L	\$ 299.00	328790&	\$ 299.00	328790&
	Hand wheel O/R	\$ 299.00	3287705	\$ 299.00	3287705
R-4	Stuffing Box Bolts	\$ 7.00	460233P	\$ 7.00	460233P
	Stuffing Box Nuts	\$ 5.00	460234P	\$ 5.00	460234P
R-5	Stuffing Box	\$ 90.00	3301862	\$ 90.00	3301862
R-6	Stem O Ring	\$ 7.00	442644P	\$ 7.00	442644P
R-7	Stuffing Box O Ring	\$ 7.00	442743P	\$ 7.00	442743P
R-8	Thrust Washer	\$ 4.00	445940P	\$ 4.00	445940P
R-9	Stem O/L	\$ 734.00	3280352	\$ 921.00	3280362
	Stem O/R	\$ 734.00	3280353	\$ 921.00	3280363
R-10	Cover Hex Bolts	\$ 4.00	460244P	\$ 4.00	460389P
	Cover Nuts	\$ 3.00	460212P	\$ 3.00	460212P
R-11	Cover	\$ 797.00	3318204	\$ 1,107.00	3318244
R-12	Stem Nut O/L	\$ 182.00	3281948	\$ 182.00	3281948
	Stem Nut O/R	\$ 182.00	3281949	\$ 182.00	3281949
R-13	Wedge	\$ 983.00	2280962	\$ 1,298.00	2280972
R-14	Cover O Ring	\$ 29.00	442746P	\$ 33.00	442766P
R-15	Body-**Part #'s avail. on request	\$ 2,596.00	**	\$ 3,416.00	**
R-16	Stuffing Box Plate (UL/FM)	\$ 224.00	3281892	\$ 224.00	3281892
R-17	Plug	\$ 8.00	443488P	\$ 8.00	443488P

**AWWA C-515--DUCTILE IRON--NRS RS GATE VALVE PARTS**[Back to table of contents.](#)

Item #	Description	2" - 3"	4"	Part#	6"	Part #
R-1	Hold down Hex Bolt		\$ 6.00	460237P	\$ 6.00	444385P
R-2	Hold down Bolt Washer	Parts for 2" - 3"	\$ 2.00	445794P	\$ 2.00	445832P
R-3	Operating Nut O/L	ductile iron gate valves	\$ 28.00	328081&	\$ 28.00	328082&
R-3	Operating Nut O/R	are identical to the	\$ 28.00	328086&	\$ 28.00	328087&
R-3	Hand wheel O/L	C509 gate valve parts.	\$ 82.00	328783&	\$ 149.00	328786&
R-3	Hand wheel O/R		\$ 82.00	3287635	\$ 149.00	3287665
R-4	Stuffing Box Bolts	Small valves use	\$ 3.00	460301P	\$ 3.00	460241P
R-4	Stuffing Box Nuts	full wall ductile iron	\$ 3.00	460212P	\$ 3.00	460212P
R-5	Stuffing Box	valve parts.	\$ 55.00	3301832	\$ 56.00	3301842
R-6	Stem O Ring		\$ 3.00	442550P	\$ 7.00	442563P
R-7	Stuffing Box O Ring	Please see page 34	\$ 7.00	442732P	\$ 7.00	442561P
R-8	Thrust Washer	for these parts.	\$ 2.00	445933P	\$ 3.00	445936P
R-9	Stem O/L		\$ 282.00	3280322	\$ 382.00	3280332
R-9	Stem O/R		\$ 282.00	3280323	\$ 382.00	3280333
R-10	Cover Hex Bolts		\$ 3.00	460231P	\$ 3.00	460301P
R-10	Cover Nuts		\$ 3.00	460218P	\$ 3.00	460212P
R-11	Cover		\$ 363.00	3319084	\$ 401.00	3319124
R-12	Stem Nut O/L		\$ 69.00	3281918	\$ 124.00	3281928
R-12	Stem Nut O/R		\$ 69.00	3281919	\$ 124.00	3281929
R-13	Wedge		\$ 339.00	2280932	\$ 429.00	2280942
R-14	Cover O Ring		\$ 18.00	442754P	\$ 19.00	442562P
R-15	Body--**Part #'s avail. on request		\$ 811.00	**	\$ 1,193.00	**
R-16	Stuffing Box Plate (UL/FM)		\$ 224.00	3281872	\$ 224.00	3281882
R-17	Plug		\$ 8.00	443475P	\$ 8.00	443488P
	OS&Y Cover		\$ 347.00	3327082	\$ 400.00	3327122
	OS&Y Hand wheel		\$ 142.00	328773P	\$ 166.00	328776P

Item #	Description	8"	Part #	10"	Part #	12"	Part #
R-1	Hold down Hex Bolt	\$ 6.00	444385P	\$ 7.00	460228P	\$ 7.00	460228P
R-2	Hold down Bolt Washer	\$ 2.00	445832P	\$ 3.00	445832P	\$ 3.00	445832P
R-3	Operating Nut O/L	\$ 28.00	328083&	\$ 29.00	328084&	\$ 29.00	328084&
R-3	Operating Nut O/R	\$ 28.00	328088&	\$ 29.00	328089&	\$ 29.00	328089&
R-3	Hand wheel O/L	\$ 149.00	328788&	\$ 299.00	328790&	\$ 299.00	328790&
R-3	Hand wheel O/R	\$ 149.00	3287685	\$ 299.00	3287705	\$ 299.00	3287705
R-4	Stuffing Box Bolts	\$ 3.00	460241P	\$ 7.00	460233P	\$ 7.00	460233P
R-4	Stuffing Box Nuts	\$ 3.00	460212P	\$ 5.00	460234P	\$ 5.00	460234P
R-5	Stuffing Box	\$ 70.00	3301852	\$ 90.00	3281862	\$ 90.00	3201862
R-6	Stem O Ring	\$ 7.00	442542P	\$ 7.00	442644P	\$ 7.00	442644P
R-7	Stuffing Box O Ring	\$ 7.00	442561P	\$ 7.00	442743P	\$ 7.00	442743P
R-8	Thrust Washer	\$ 3.00	445938P	\$ 4.00	445940P	\$ 4.00	445940P
R-9	Stem O/L	\$ 515.00	3280342	\$ 734.00	3280352	\$ 921.00	3280362
R-9	Stem O/R	\$ 515.00	3280343	\$ 734.00	3280353	\$ 921.00	3280363
R-10	Cover Hex Bolts	\$ 3.00	460241P	\$ 4.00	460242P	\$ 4.00	460242P
R-10	Cover Nuts	\$ 3.00	460212P	\$ 3.00	460212P	\$ 3.00	460212P
R-11	Cover	\$ 453.00	3319164	\$ 797.00	3319204	\$ 1,107.00	3319244
R-12	Stem Nut O/L	\$ 143.00	3281938	\$ 182.00	3281948	\$ 182.00	3281948
R-12	Stem Nut O/R	\$ 143.00	3281939	\$ 182.00	3281949	\$ 182.00	3281949
R-13	Wedge	\$ 646.00	2280952	\$ 983.00	2280962	\$ 1,298.00	2280972
R-14	Cover O Ring	\$ 22.00	442762P	\$ 29.00	442746P	\$ 33.00	442766P
R-15	Body--**Part #'s avail. on request	\$ 1,565.00	**	\$ 2,596.00	**	\$ 3,416.00	**
R-16	Stuffing Box Plate (UL/FM)	\$ 224.00	3281883	\$ 224.00	3281892	\$ 224.00	3281892
R-17	Plug	\$ 8.00	443488P	\$ 8.00	443488P	\$ 8.00	443488P
	OS&Y Cover	\$ 499.00	3327162	\$ 773.00	3327202	\$ 926.00	3327242
	OS&Y Hand wheel	\$ 204.00	328778P	\$ 318.00	328780P	\$ 318.00	328780P