

Kennedy Swing Check Valves

A.W.W.A. C508 was developed in 1976 to set a standard for the manufacture, testing and application of Iron Body Bronze Mounted (IBBM) Check Valves. The valves are designed with an iron body and include either metal-to-metal or composition-to-metal seating.

Kennedy Swing Check Valves are designed and manufactured in conformance with A.W.W.A. C508 and are for use on water, oil and gas lines. Under certain circumstances where it is desirable to have more positive control of the closing of the disc, the valves can be supplied with either lever-and-spring or lever-and-weight. For restricted spacing requirements Kennedy Valve manufactures a Wafer Check Valve that also helps to control water hammer.

Features



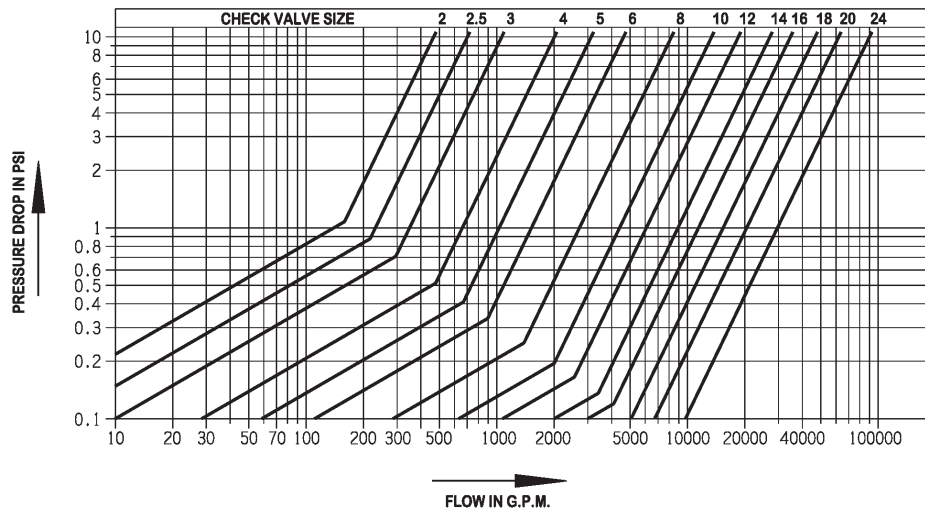
Swing Check Valve-AWWA

- Stainless steel hinge pin.
- Working parts are removable through the top of the valve.
- Tapped bosses available.
- Available with lever-and-spring or lever-and-weight.
- Double bronze side plug construction.
- Bodies are made of high strength cast iron with reinforced flanges - ANSI B 16.1/125 # flanges.
- May be installed in a vertical line with the flow up.

- | | |
|----------------------------------|----------------|
| • Figure #1106 Series | <u>2"-12"</u> |
| Test Pressure - Seat and Shell | 400 PSI |
| Working Pressure - non-shock CWP | 200 PSI |
| • Figure #106 Series | <u>14"-24"</u> |
| Test Pressure - Seat and Shell | 300 PSI |
| Working Pressure - non-shock CWP | 150 PSI |

FLOW VERSUS PRESSURE DROP

Data Representative of Kennedy Figure 1106 and 1106A Swing Check Valves





KENNEDY CHECK VALVES

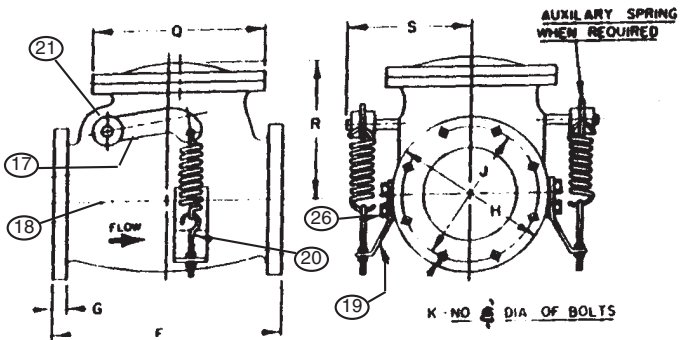
It is generally recommended, that when using Kennedy swing check valves, that you locate the valve at least 5 to 10 pipe diameters down stream from any flow disturbance or obstruction (valve, pump, elbow, reducer, etc.). Turbulence close to the check valve may result in valve "chatter" resulting in premature failure of the check valve.

As stated in AWWA C508, "Conditions of water hammer, hydraulic pulsation, and excessive operating noise are results of system design rather than valve design and are beyond the scope of this standard and require special design and construction considerations."

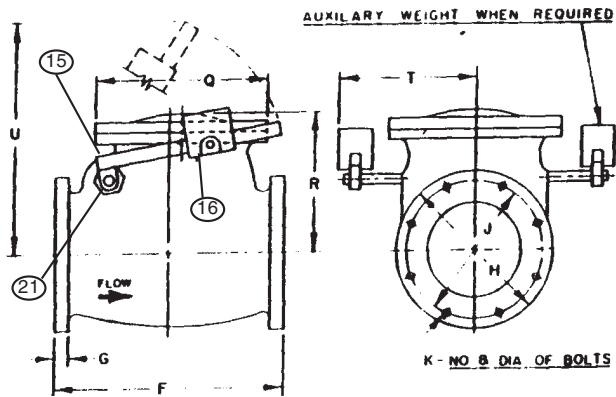


Note Regarding 14"-36" Check Valves:

Prior to 2014, Kennedy Valve supplied full-wall check valves as our standard on 14"-30" Valves. Throughout 2014, we transitioned to the reduced-wall ductile iron check valves as our new standard. Please be aware that this move has changed the flange-to-flange lay length in most cases. The 36" Check Valve is only available as a reduced-wall ductile iron valve. Please contact our sales staff for further information on these valves or if you are working on a project that has specific domestic requirements. Please scroll down for more information on the reduced-wall body check valves.



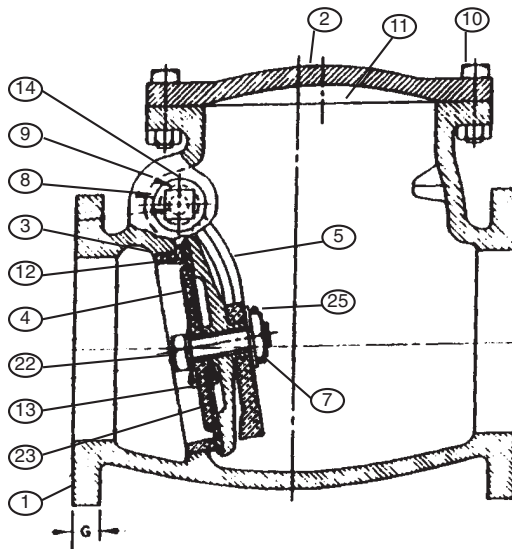
SPRING AND LEVER CHECK VALVE
STYLE NO. 259-02/106ALS



LEVER AND WEIGHT CHECK VALVE
STYLE NO. 159-02/106ALW

DIMENSION IN INCHES

VALVE SIZE	14
F	30
G	1 1/2
H	21
J	18 3/4
K	12-1
Q	23 1/2
R	18 3/4
S	15 1/2
T	17
U	32 1/2



F
PLAIN CHECK VALVE
14"
STYLE NO. 59-02/106A

NOTES:

- 1 A 126 CL B CAST IRON
- 2 WEIGHT LEVER ARM ON 14" VALVE SIZE
- 3 A 126 CL B CAST IRON
- 4 ALL STEEL BOLTS & NUTS ARE ELECTRO ZINC PLATED

PART NO.	NO. REQ'D	PART	MATERIAL	A.S.T.M. SPEC. NO.
1	1	Body	Cast Iron	A126 CL B
2	1	Cover	Cast Iron	A-126 CL B
3	1	Body Ring	Bronze	CDA84400
4	1	Clapper ¹	See Note No. 1	
5	1	Clapper Arm	Bronze	B-132
6	1	Clapper Stud	Bronze	B-21
7	Varies	Clapper Nut	Bronze	CDA84400
8	1	Hinge Pin	Stn Stl.	A-276-303
9	2	Side Plug (Plain Valve)	Bronze	CDA84400
10	Varies	Cover Bolts & Nuts	Steel	A-307GR B
11	1	Cover Gasket	Non-Asbestos	—
12	1	Clapper Ring	Neoprene	—
13	2	Gasket	Copper Non-Asbestos	
14	2	Side Plug Gasket	Copper Non-Asbestos	
15	1	Weight Lever Arm ²	Cast Iron	A-126 CL B
16	1	Weight	Cast Iron	A-126 CL B
17	1	Spring Lever Arm ³	See Note No. 3	
18	1	Spring	Steel	—
19	1	Spring Bracket	Steel	—
20	1	Spring Eyebolt	Steel	A-307GR B
21	2	Stuffing Box Assembly	Bronze	CDA84400
22	1	Capscrew Bolt	Bronze	B-21
23	1	Clamping Ring	Bronze	CDA84400
24	1	Lock Washer	Steel	—
25	Varies	Cotter Pin	Bronze	—
26	2	Spring Bracket Cap Screw	Steel	A-307GR B
27	2	"O" Ring Side Plug	Bronze	CDA84400
28	2	"O" Ring	Rubber	—

WATER WORKING PRESSURE
 HYDROSTATIC TEST PRESSURE

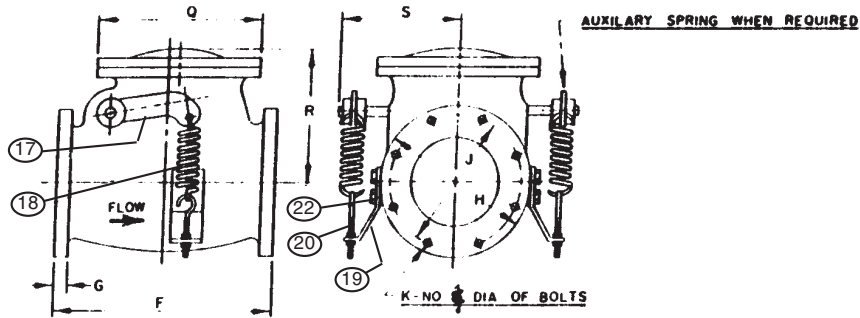
14"
 150 PSI
 300 PSI

14" SWING CHECK VALVE-RUBBER FACED-
 FLANGED END

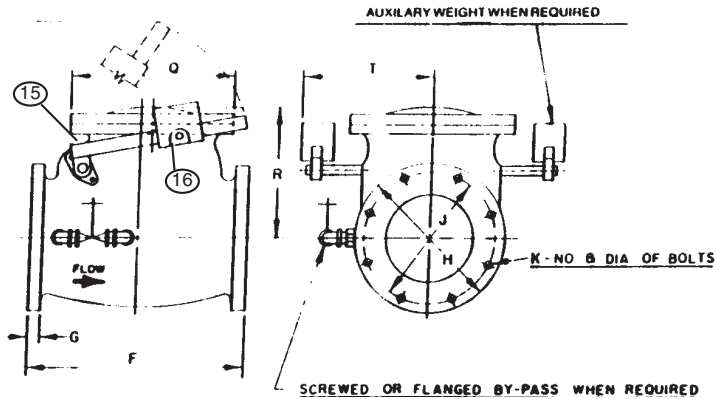


Kennedy Valve

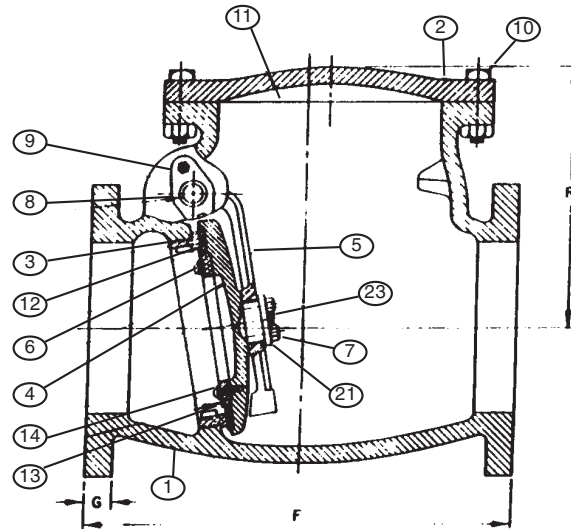
DRAWN BY KM	DATE 2/28/74
CHECKED	SCALE NONE
APPROVED	
DWG NO.	REV.
11802	



SPRING AND LEVER CHECK VALVE
STYLE NO. 259-02/106LS



LEVER AND WEIGHT CHECK VALVE
STYLE NO. 159-02/106LW



PLAIN CHECK VALVE
STYLE NO. 59-02/106

PART NO.	NO. REQ'D	PART	MATERIAL	A.S.T.M. SPEC. NO.
1	1	Body	Cast Iron	A-126 CL B
2	1	Cover	Cast Iron	A-126 CL B
3	1	Body Ring	Bronze	CDA84400
4	1	Clapper	Cast Iron	A-126 CL B
5	1	Clapper Arm	Bronze	CDA86400
6	Varies	Lockwasher	Steel	—
7	Varies	Capscrew	Bronze	B-21
8	1	Hinge Pin	Stn. Stl.	A-276-303
9	2	Gland (Bronze Bushed)	Cast Iron	A-126CL. B
10	Varies	Cover Bolt and Nuts	Steel	A-307GR B
11	1	Cover Gasket	Non-Asbestos	—
12	1	Clapper Ring	Neoprene	—
13	1	Ring Clamp	Bronze	CDA84400
14	Varies	Ring Clamp Capscrew	Bronze	B-21
15	1	Weight Lever Arm	Bronze	B-62
16	1	Weight	Cast Iron	A-126CL. B
17	1	Spring Lever Arm	Bronze	B-62
18	1	Spring	Steel	—
19	1	Spring Bracket	Steel	—
20	1	Spring Eyebolt	Steel	A-307GR.B
21	1	Cap Plate	Cast Iron	A-126CL. B
22	Varies	Spring Bracket Capscrew	Steel	A-307GR B
23	1	Lockwire	Copper	B3-74

VALVE SIZE	DIMENSIONS IN INCHES				
	16	18	20	24	30
E	25 ³ / ₈	—	—	—	—
F	35	36 ¹ / ₂	37 ⁵ / ₈	44	49 ¹ / ₂
G	17 ¹ / ₁₆	19 ¹ / ₁₆	11 ¹¹ / ₁₆	17 ¹ / ₈	21 ¹ / ₈
H	23 ¹ / ₂	25	27 ¹ / ₂	32	38 ³ / ₄
J	21 ¹ / ₄	22 ³ / ₄	25	29 ¹ / ₂	36
K	16-1	16-1 ¹ / ₈	20-1 ¹ / ₈	20-1 ¹ / ₄	28-1 ¹ / ₄
Q	27 ¹ / ₂	27 ¹ / ₂	32	38 ³ / ₄	43 ³ / ₄
R	23	25	24 ¹ / ₂	28	32 ⁷ / ₈
SPRING & LEVER VALVES					
S	17 ³ / ₄	18 ⁵ / ₈	20	22 ¹ / ₂	25 ¹ / ₈
LEVER & WEIGHT VALVES					
T	19 ¹ / ₂	21	22 ³ / ₈	28 ¹ / ₂	30 ³ / ₈
U	34 ¹ / ₂	40	42	54 ¹ / ₂	57 ¹ / ₂

150 LBS—WATER WORKING PRESSURE
300 LBS—HYDROSTATIC TEST PRESSURE

16"-30" SWING CHECK VALVE-RUBBER FACED-FLANGED END

	DRAWN BY KM	DATE 10-22-73
	CHECKED	SCALE NONE
	APPROVED	
	DWG NO. 11804	REV.