



KENNEDY VALVE

UL/FM Fire Protection Products List Price Guide FP 2024-01

RELIABLE, ACCURATE
SERVICE IN CRITICAL
APPLICATIONS

Certified by Underwriters
Laboratories and approved by
Factory Mutual Global

Effective: 01-11-2024
Supersedes all previous
Price Lists



For Generations



KENNEDY VALVE UL/FM PRICE LIST

TABLE OF CONTENTS

1. UL/FM RESILIENT WEDGE GATE VALVES - FIGURE 8000	PAGE 1
2. UL/FM RESILIENT WEDGE GATE VALVES - FIGURE 7000	PAGE 2
3. UL/FM RESILIENT WEDGE GATE VALVES HIGH PRESSURE - FIGURE 5000	PAGE 5
4. UL/FM RESILIENT WEDGE GATE VALVES HP, 250# - FIGURE 5000	PAGE 7
5. DOUBLE DISC GATE VALVES, IBBM	PAGE 8
6. HDPE FM RESILIENT WEDGE GATE VALVES	PAGE 8
7. RESILIENT WEDGE GATE VALVE OPTIONAL ITEMS	PAGE 9
8. RESILIENT WEDGE GATE VALVE NRS ASSEMBLY	PAGE 11
9. RESILIENT WEDGE GATE VALVE NRS REPAIR PARTS	PAGE 12
10. RESILIENT WEDGE GATE VALVE - OS&Y ASSEMBLY	PAGE 13
11. RESILIENT WEDGE GATE VALVE OS&Y REPAIR PARTS	PAGE 14
10. INDICATOR POSTS	PAGE 15
11. INDICATOR POSTS REPAIR PARTS	PAGE 17
12. BUTTERFLY VALVES	PAGE 18
13. CHECK VALVES	PAGE 19
14. K17 FIRE HYDRANTS	PAGE 20
15. K-81D FIRE HYDRANTS	PAGE 21
16. INDEPENDENT HOSE GATE VALVES	PAGE 22
17. NOTES	PAGE 23
18. MCWANE TERMS AND CONDITIONS	PAGE 24
19. PRODUCT WARRANTY	PAGE 25



RESILIENT WEDGE GATE VALVES

KSFW

FIGURE 8000, AWWA C509

(GRAY OR DUCTILE IRON BODY)

USE WITH 2945 VERTICAL POST ON PAGE 13



SIZE	Figure No.	Valve Type	End Type	Part Number	Price (USD)	Weight (lbs.)
3"	8701	NRS w/Post Plate	Flange	10303008701ASS	\$955.00	76
4"	8701	NRS w/Post Plate	Flange	10304008701ASS	\$955.00	110
6"	8701	NRS w/Post Plate	Flange	10306008701ASS	\$1,489.00	153
8"	8701	NRS w/Post Plate	Flange	10308008701ASS	\$2,499.00	240
10"	8701	NRS w/Post Plate	Flange	10310008701ASS	\$4,177.00	399
12"	8701	NRS w/Post Plate	Flange	10312008701ASS	\$6,627.00	544
3"	8071	NRS w/Post Plate	Mech Joint	10303008071SS	\$955.00	77
4"	8071	NRS w/Post Plate	Mech Joint	10304008071SS	\$955.00	103
6"	8071	NRS w/Post Plate	Mech Joint	10306008071SS	\$1,489.00	152
8"	8071	NRS w/Post Plate	Mech Joint	10308008071SS	\$2,499.00	222
10"	8071	NRS w/Post Plate	Mech Joint	10310008071SS	\$4,177.00	365
12"	8071	NRS w/Post Plate	Mech Joint	10312008071SS	\$6,627.00	487
3"	8702	NRS w/Post Plate	Flg x Mech Joint	Call for availability	P.O.A	--
4"	8702	NRS w/Post Plate	Flg xMech Joint	10304008702SS	\$935.00	107
6"	8702	NRS w/Post Plate	Flg xMech Joint	10306008702SS	\$1,409.00	155
8"	8702	NRS w/Post Plate	Flg xMech Joint	10308008702SS	\$2,353.00	229
10"	8702	NRS w/Post Plate	Flg xMech Joint	10310008702SS	\$4,153.00	379
12"	8702	NRS w/Post Plate	Flg xMech Joint	10312008702SS	\$6,791.00	511
3"	8057	NRS w/Post Plate	Threaded	10303008057PSS	\$1,053.00	65
2"	8067	OS&Y	Threaded	10302008067SS	\$855.00	32
2 1/2"	8067	OS&Y	Threaded	10302128067SS	\$1,144.00	40
3"	8067	OS&Y	Threaded	10303008067SS	\$1,001.00	52
2"	8068	OS&Y	Flange	10302008068	\$855.00	42
2 1/2"	8068	OS&Y	Flange	10302128068A	\$855.00	51
3"	8068	OS&Y	Flange	10303008068A	\$1,001.00	64
4"	8068	OS&Y	Flange	10304008068A	\$1,142.00	106
6"	8068	OS&Y	Flange	10306008068A	\$1,664.00	152
8"	8068	OS&Y	Flange	10308008068A	\$2,726.00	253
10"	8068	OS&Y	Flange	10310008068A	\$4,460.00	428
12"	8068	OS&Y	Flange	10312008068A	\$5,807.00	582
2 1/2"	8068	OS&Y W/KVOS	Flange	103028068AKVOS	\$1,105.00	54
3"	8068	OS&Y W/KVOS	Flange	103038068AKVOS	\$1,251.00	67
4"	8068	OS&Y W/KVOS	Flange	103048068AKVOS	\$1,392.00	109
6"	8068	OS&Y W/KVOS	Flange	103068068AKVOS	\$1,914.00	155
8"	8068	OS&Y W/KVOS	Flange	103088068AKVOS	\$2,926.00	256
10"	8068	OS&Y W/KVOS	Flange	103108068AKVOS	\$4,710.00	431
12"	8068	OS&Y W/KVOS	Flange	103128068AKVOS	\$6,057.00	585

1. MJ accessories for PIV valves are available upon request. They include the following items: nuts, bolts and rubber gasket. See page 10 for pricing.

2. All valve part numbers that include an "A" or "ABF" in the part description include tap(s) in the body of the valve. See page 10 for location and additional tap options.

3. All valve part numbers that are identified with a SS include 304 stainless steel fasteners. See page 10 for other fastener options.

4. The following additional end types are available upon request: Push-On for PVC (SDR), MJ for Tapping, Push-On for D.I., C900, MJ Cutting-In or Push-On D.I. by Flange.

RESILIENT WEDGE GATE VALVES

KSRW & 2638

FIGURE 7000, AWWA C515



Note : All valves 3" and smaller are AWWA C509 compliant

USE WITH 2945 VERTICAL POST ON PAGE 13

SIZE	Figure No.	Valve Type	End Type	Part Number	Price (USD)	Weight (lbs.)
3"	7701	NRS w/Post Plate	Flange	10303007701ASS	\$955.00	79
4"	7701	NRS w/Post Plate	Flange	10304007701ASS	\$955.00	102
6"	7701	NRS w/Post Plate	Flange	10306007701ASS	\$1,489.00	139
8"	7701	NRS w/Post Plate	Flange	10308007701ASS	\$2,499.00	208
10"	7701	NRS w/Post Plate	Flange	10310007701ASS	\$4,177.00	340
12"	7701	NRS w/Post Plate	Flange	10312007701ASS	\$6,627.00	445
14"	7701	NRS w/Post Plate	Flange	10314007701SS	\$15,193.00	670
16"	7701	NRS w/Post Plate	Flange	10316007701SS	\$16,422.00	735
18"	7701	NRS w/Post Plate	Flange	10318007701SS	\$26,438.00	1,100
20"	7701	NRS w/Post Plate	Flange	10320007701SS	\$31,612.00	1,325
24"	7701	NRS w/Post Plate	Flange	10324007701SS	\$44,656.00	1,732
3"	7071	NRS w/Post Plate	Mechanical Joint	10303007071SS	\$955.00	60
4"	7071	NRS w/Post Plate	Mechanical Joint	10304007071SS	\$955.00	90
6"	7071	NRS w/Post Plate	Mechanical Joint	10306007071SS	\$1,489.00	128
8"	7071	NRS w/Post Plate	Mechanical Joint	10308007071SS	\$2,499.00	188
10"	7071	NRS w/Post Plate	Mechanical Joint	10310007071SS	\$4,177.00	302
12"	7071	NRS w/Post Plate	Mechanical Joint	10312007071SS	\$6,627.00	384
14"	7071	NRS w/Post Plate	Mechanical Joint	10314007071SSL	\$15,193.00	670
16"	7071	NRS w/Post Plate	Mechanical Joint	10316007071SSL	\$16,422.00	735
18"	7071	NRS w/Post Plate	Mechanical Joint	10318007071SSL	\$26,438.00	1,100
20"	7071	NRS w/Post Plate	Mechanical Joint	10320007071SSL	\$31,612.00	1,325
24"	7071	NRS w/Post Plate	Mechanical Joint	10324007071SSL	\$44,656.00	1,800
3"	7702	NRS w/Post Plate	Flg. x Mech Joint	Call for availability	P.O.A	--
4"	7702	NRS w/Post Plate	Flg. x Mech Joint	10304007702SS	\$935.00	96
6"	7702	NRS w/Post Plate	Flg. x Mech Joint	10306007702SS	\$1,409.00	132
8"	7702	NRS w/Post Plate	Flg. x Mech Joint	10308007702SS	\$2,353.00	199
10"	7702	NRS w/Post Plate	Flg. x Mech Joint	10310007702SS	\$3,883.00	353
12"	7702	NRS w/Post Plate	Flg. x Mech Joint	10312007702SS	\$6,294.00	407
14"	7702	NRS w/Post Plate	Flg. x Mech Joint	T.B.D.	P.O.A	--
16"	7702	NRS w/Post Plate	Flg. x Mech Joint	T.B.D.	P.O.A	--
18"	7702	NRS w/Post Plate	Flg. x Mech Joint	T.B.D.	P.O.A	--
20"	7702	NRS w/Post Plate	Flg. x Mech Joint	T.B.D.	P.O.A	--
24"	7702	NRS w/Post Plate	Flg. x Mech Joint	T.B.D.	P.O.A	--



1. MJ accessories for PIV valves are available upon request. They include the following items: nuts, bolts and rubber gasket. See page 10 for pricing.

2. All valve part numbers that include an "A" or "ABF" in the part description include tap(s) in the body of the valve. See page 10 for location and additional tap options.

3. All valve part numbers that are identified with a SS include 304 stainless steel fasteners. See page 10 for other fastener options.

4. The following additional end types are available upon request: Push-On for PVC (SDR), MJ for Tapping, Push-On for D.I., C900, MJ Cutting-In or Push-On D.I. by Flange.



RESILIENT WEDGE GATE VALVES

KSRW & 2638

FIGURE 7000, AWWA C515

Note : All valves 3" and smaller are AWWA C509 compliant

USE WITH 2945 VERTICAL POST ON PAGE 13

SIZE	Figure No.	Valve Type	End Type	Part Number	Price (USD)	Weight (lbs.)
3"	7057	NRS w/Post Plate	Threaded	10303007057PSS	P.O.A.	--
3"	7592	NRS w/Handwheel	Flange x Groove	10103007592ABF	\$1,038.00	55
4"	7592	NRS w/Handwheel	Flange x Groove	10104007592ABF	\$1,160.00	77
6"	7592	NRS w/Handwheel	Flange x Groove	10106007592ABF	\$1,549.00	118
8"	7592	NRS w/Handwheel	Flange x Groove	10108007592ABF	\$2,423.00	176
10"	7592	NRS w/Handwheel	Flange x Groove	10110007592ABF	\$3,850.00	320
3"	7592	NRS w/Post Plate	Flange x Groove	10303007592PABF	\$955.00	69
4"	7592	NRS w/Post Plate	Flange x Groove	10304007592PABF	\$955.00	91
6"	7592	NRS w/Post Plate	Flange x Groove	10306007592PABF	\$1,489.00	143
8"	7592	NRS w/Post Plate	Flange x Groove	10308007592PABF	\$2,499.00	184
10"	7592	NRS w/Post Plate	Flange x Groove	10310007592PABF	\$4,117.00	265
2 1/2"	7593	NRS W/Handwheel	Groove	10102127593ABF	\$874.00.	44
3"	7593	NRS w/Handwheel	Groove	10103007593ABF	\$1,038.00	46
4"	7593	NRS w/Handwheel	Groove	10104007593ABF	\$1,160.00	74
6"	7593	NRS w/Handwheel	Groove	10106007593ABF	\$1,549.00	106
8"	7593	NRS w/Handwheel	Groove	10108007593ABF	\$2,423.00	144
10"	7593	NRS w/Handwheel	Groove	10110007593ABF	\$3,850.00	265
12"	7593	NRS w/Handwheel	Groove	10112007593ABF	P.O.A	
3"	7593	NRS w/Post Plate	Groove	10303007593PABF	\$955.00	61
4"	7593	NRS w/Post Plate	Groove	10304007593PABF	\$955.00	88
6"	7593	NRS w/Post Plate	Groove	10306007593PABF	\$1,489.00	124
8"	7593	NRS w/Post Plate	Groove	10308007593PABF	\$2,499.00	151
10"	7593	NRS w/Post Plate	Groove	10310007593PABF	\$4,177.00	283
12"	7593	NRS w/Post Plate	Groove	10312007593PABF	\$6,627.00	
2 1/2"	7068A	OS&Y	Flange	10302127068A	\$855.00	52
3"	7068A	OS&Y	Flange	10303007068A	\$1,001.00	68
4"	7068A	OS&Y	Flange	10304007068A	\$1,142.00	92
6"	7068A	OS&Y	Flange	10306007068A	\$1,663.00	141
8"	7068A	OS&Y	Flange	10300807068A	\$2,726.00	213
10"	7068A	OS&Y	Flange	10310007068A	\$4,460.00	368
12"	7068A	OS&Y	Flange	10312007068A	\$5,807.00	471
14"	7566	OS&Y	Flange	10314007566SS	\$20,660.00	936
16"	7566	OS&Y	Flange	10316007566SS	\$25,599.00	955
18"	7566	OS&Y	Flange	10318007566SS	\$28,821.00	1325
20"	7566	OS&Y	Flange	10320007566SS	\$36,179.00	1325
24"	7566	OS&Y	Flange	10324007566SS	\$49,993.00	1900



1. MJ accessories for PIV valves are available upon request. They include the following items: nuts, bolts and rubber gasket. See page 10 for pricing.
2. All valve part numbers that include an "A" or "ABF" in the part description include tap(s) in the body of the valve. See page 10 for location and additional tap options.
3. All valve part numbers that are identified with a SS include 304 stainless steel fasteners. See page 10 for other fastener options.
4. The following additional end types are available upon request: Push-On for PVC (SDR), MJ for Tapping, Push-On for D.I., C900, MJ Cutting-In or Push-On D.I. by Flange.

RESILIENT WEDGE GATE VALVES

KSRW & 2638

FIGURE 7000, AWWA C515



Note : All valves 3" and smaller are AWWA C509 compliant

SIZE	Figure No.	Valve Type	End Type	Part Number	Price (USD)	Weight (lbs.)
2 1/2"	7068A	OS&Y W/KVOS	Flange	103027068AKVOS	\$1,105.00	52
3"	7068A	OS&Y W/KVOS	Flange	103037068AKVOS	\$1,251.00	68
4"	7068A	OS&Y W/KVOS	Flange	103047068AKVOS	\$1,392.00	92
6"	7068A	OS&Y W/KVOS	Flange	103067068AKVOS	\$1,914.00	141
8"	7068A	OS&Y W/KVOS	Flange	103087068AKVOS	\$2,926.00	213
10"	7068A	OS&Y W/KVOS	Flange	103107068AKVOS	\$4,710.00	368
12"	7068A	OS&Y W/KVOS	Flange	103127068KVOS	\$6,057.00	471
2 1/2"	7092	OS&Y	Flange x Groove	10302127092ABF	\$855.00	45
3"	7092	OS&Y	Flange x Groove	10303007092ABF	\$1,001.00	57
4"	7092	OS&Y	Flange x Groove	10304007092ABF	\$1,142.00	77
6"	7092	OS&Y	Flange x Groove	10306007092ABF	\$1,663.00	115
8"	7092	OS&Y	Flange x Groove	10308007092ABF	\$2,726.00	171
10"	7092	OS&Y	Flange x Groove	10310007092ABF	\$4,460.00	330
2 1/2"	7092	OS&Y W/KVOS	Flange x Groove	103027092ABFKVOS	\$1,105.00	45
3"	7092	OS&Y W/KVOS	Flange x Groove	103037092ABFKVOS	\$1,251.00	57
4"	7092	OS&Y W/KVOS	Flange x Groove	103047092ABFKVOS	\$1,392.00	77
6"	7092	OS&Y W/KVOS	Flange x Groove	103067092ABFKVOS	\$1,914.00	115
8"	7092	OS&Y W/KVOS	Flange x Groove	103087092ABFKVOS	\$2,926.00	171
10"	7092	OS&Y W/KVOS	Flange x Groove	103107092ABFKVOS	\$4,710.00	330
2 1/2"	7093	OS&Y	Groove	10302127093ABF	\$855.00	37
3"	7093	OS&Y	Groove	10303007093ABF	\$1,001.00	48
4"	7093	OS&Y	Groove	10304007093ABF	\$1,142.00	74
6"	7093	OS&Y	Groove	10306007093ABF	\$1,663.00	103
8"	7093	OS&Y	Groove	10308007093ABF	\$2,726.00	139
10"	7093	OS&Y	Groove	10310007093ABF	\$4,460.00	194
12"	7093	OS&Y	Groove	10312007093ABF	\$5,807.00	
2 1/2"	7093	OS&Y W/KVOS	Groove	103027093ABFKVOS	\$1,105.00	37
3"	7093	OS&Y W/KVOS	Groove	103037093ABFKVOS	\$1,251.00	48
4"	7093	OS&Y W/KVOS	Groove	103047093ABFKVOS	\$1,392.00	74
6"	7093	OS&Y W/KVOS	Groove	103067093ABFKVOS	\$1,914.00	103
8"	7093	OS&Y W/KVOS	Groove	103087093ABFKVOS	\$2,926.00	139
10"	7093	OS&Y W/KVOS	Groove	103107093ABFKVOS	\$4,710.00	194
12"	7093	OS&Y W/KVOS	Groove	103127093ABFKVOS	\$6,057.00	



1. MJ accessories for PIV valves are available upon request. They include the following items: nuts, bolts and rubber gasket. See page 10 for pricing.

2. All valve part numbers that include an "A" or "ABF" in the part description include tap(s) in the body of the valve. See page 10 for location and additional tap options.

3. All valve part numbers that are identified with a SS include 304 stainless steel fasteners. See page 10 for other fastener options.

4. The following additional end types are available upon request: Push-On for PVC (SDR), MJ for Tapping, Push-On for D.I., C900, MJ Cutting-In or Push-On D.I. by Flange.



RESILIENT WEDGE GATE VALVES KSRW 350 PSI FIGURE 5000, AWWA C515

Note : All valves 3" and smaller are AWWA C509 compliant

USE WITH 2945 VERTICAL POST ON PAGE 13



SIZE	Figure No.	Valve Type	End Type	Part Number	Price (USD)	Weight (lbs.)
4"	5701	NRS w/Post Plate	Flange	10304005701SS	\$955.00	102
6"	5701	NRS w/Post Plate	Flange	10306005701SS	\$1,489.00	139
8"	5701	NRS w/Post Plate	Flange	10308005701SS	\$2,499.00	208
10"	5701	NRS w/Post Plate	Flange	10310005701SS	\$4,177.00	340
12"	5701	NRS w/Post Plate	Flange	10312005701SS	\$6,627.00	446
4"	5071	NRS w/Post Plate	Mechanical Joint	10304005071SS	\$955.00	91
6"	5071	NRS w/Post Plate	Mechanical Joint	10306005071SS	\$1,489.00	128
8"	5071	NRS w/Post Plate	Mechanical Joint	10308005071SS	\$2,499.00	189
10"	5071	NRS w/Post Plate	Mechanical Joint	10310005071SS	\$4,177.00	302
12"	5071	NRS w/Post Plate	Mechanical Joint	10312005071SS	\$6,627.00	385
4"	5072	NRS w/Post Plate	Flg. x Mech Joint	10304005702ASS	\$955.00	96
6"	5072	NRS w/Post Plate	Flg. x Mech Joint	10306005702ASS	\$1,489.00	132
8"	5072	NRS w/Post Plate	Flg. x Mech Joint	10308005702ASS	\$2,499.00	200
10"	5072	NRS w/Post Plate	Flg. x Mech Joint	10310005702ASS	\$4,177.00	353
12"	5072	NRS w/Post Plate	Flg. x Mech Joint	10312005702ASS	\$6,627.00	407
3"	5592	NRS w/Post Plate	Flg. x Grv	T.B.D.	P.O.A.	
4"	5592	NRS w/Post Plate	Flg. x Grv	T.B.D.	P.O.A.	
6"	5592	NRS w/Post Plate	Flg. x Grv	T.B.D.	P.O.A.	
8"	5592	NRS w/Post Plate	Flg. x Grv	T.B.D.	P.O.A.	
10"	5592	NRS w/Post Plate	Flg. x Grv	T.B.D.	P.O.A.	
12"	5592	NRS w/Post Plate	Flg. x Grv	T.B.D.	P.O.A.	
3"	5593	NRS w/Post Plate	Groove	10303005593PABF	\$955.00	
4"	5593	NRS w/Post Plate	Groove	10304005593PABF	\$955.00	
6"	5593	NRS w/Post Plate	Groove	10306005593PABF	\$1,489.00	
8"	5593	NRS w/Post Plate	Groove	10308005593PABF	\$2,499.00	
10"	5593	NRS w/Post Plate	Groove	10310005593PABF	\$4,177.00	
12"	5593	NRS w/Post Plate	Groove	10312005593PABF	\$6,627.00	

1. MJ accessories for PIV valves are available upon request. They include the following items: nuts, bolts and rubber gasket. See page 10 for pricing.

2. All valve part numbers that include an "A" or "ABF" in the part description include tap(s) in the body of the valve. See page 10 for location and additional tap options.

3. All valve part numbers that are identified with a SS include 304 stainless steel fasteners. See page 10 for other fastener options.

4. The following additional end types are available upon request: Push-On for PVC (SDR), MJ for Tapping, Push-On for D.I., C900, MJ Cutting-In or Push-On D.I. by Flange.

RESILIENT WEDGE GATE VALVES

KSRW 350PSI

FIGURE 5000, AWWA C515



Note :All valves 3" and smaller are AWWA C509 compliant all others are AWWA C515

SIZE	Figure No.	Valve Type	End Type	Part Number	Price (USD)	Weight (lbs.)
2 1/2"	5068	OS&Y	Flange	10302125068ASS	\$855.00	52
3"	5068	OS&Y	Flange	10303005068ASS	\$1,001.00	67
4"	5068	OS&Y	Flange	10304005068ASS	\$1,142.00	102
6"	5068	OS&Y	Flange	10306005068ASS	\$1,663.00	141
8"	5068	OS&Y	Flange	10300805068ASS	\$2,726.00	212
10"	5068	OS&Y	Flange	10310005068ASS	\$4,460.00	369
12"	5068	OS&Y	Flange	10312005068ASS	\$5,807.00	479
2 1/2"	5068	OS&Y W/KVOS	Flange	103025068AKVOS	\$1,105.00	53
3"	5068	OS&Y W/KVOS	Flange	103035068AKVOS	\$1,251.00	70
4"	5068	OS&Y W/KVOS	Flange	103045068AKVOS	\$1,392.00	95
6"	5068	OS&Y W/KVOS	Flange	103065068AKVOS	\$1,914.00	144
8"	5068	OS&Y W/KVOS	Flange	103085068AKVOS	\$2,926.00	215
10"	5068	OS&Y W/KVOS	Flange	103105068AKVOS	\$4,710.00	372
12"	5068	OS&Y W/KVOS	Flange	103125068AKVOS	\$6,057.00	482
2 1/2"	5092	OS&Y	Flange x Groove	10302125092ABF	\$855.00	45
3"	5092	OS&Y	Flange x Groove	10303005092ABF	\$1,001.00	57
4"	5092	OS&Y	Flange x Groove	10304005092ABF	\$1,142.00	77
6"	5092	OS&Y	Flange x Groove	10306005092ABF	\$1,663.00	115
8"	5092	OS&Y	Flange x Groove	10308005092ABF	\$2,726.00	171
2 1/2"	5092	OS&Y W/KVOS	Flange x Groove	103025092ABFKVOS	\$1,105.00	48
3"	5092	OS&Y W/KVOS	Flange x Groove	103035092ABFKVOS	\$1,251.00	60
4"	5092	OS&Y W/KVOS	Flange x Groove	103045092ABFKVOS	\$1,392.00	80
6"	5092	OS&Y W/KVOS	Flange x Groove	103065092ABFKVOS	\$1,914.00	118
8"	5092	OS&Y W/KVOS	Flange x Groove	103085092ABFKVOS	\$2,926.00	174
2 1/2"	5093	OS&Y	Groove	10302125093ABF	\$855.00	37
3"	5093	OS&Y	Groove	10303005093ABF	\$1,001.00	48
4"	5093	OS&Y	Groove	10304005093ABF	\$1,142.00	74
6"	5093	OS&Y	Groove	10306005093ABF	\$1,663.00	103
8"	5093	OS&Y	Groove	10308005093ABF	\$2,726.00	140
10"	5093	OS&Y	Groove	10310005093ABF	\$4,460.00	294
2 1/2"	5093	OS&Y W/KVOS	Groove	103025093ABFKVOS	\$1,105.00	40
3"	5093	OS&Y W/KVOS	Groove	103035093ABFKVOS	\$1,251.00	51
4"	5093	OS&Y W/KVOS	Groove	103045093ABFKVOS	\$1,392.00	77
6"	5093	OS&Y W/KVOS	Groove	103065093ABFKVOS	\$1,914.00	106
8"	5093	OS&Y W/KVOS	Groove	103085093ABFKVOS	\$2,926.00	143
10"	5093	OS&Y W/KVOS	Groove	103105093ABFKVOS	\$4,710.00	297



1. MJ accessories for PIV valves are available upon request.They include the following items: nuts, bolts and rubber gasket. See page 10 for pricing.

2. All valve part numbers that include an "A" or "ABF" in the part description include tap(s) in the body of the valve. See page 10 for location and additional tap options.

3. All valve part numbers that are identified with a SS include 304 stainless steel fasteners. See page 10 for other fastener options.



RESILIENT WEDGE GATE VALVES KSRW 350PSI, CLASS 250# FLANGE FIGURE 5000, AWWA C515

Note :All valves 3” and smaller are AWWA C509 compliant all others are AWWA C515

USE WITH 2945 VERTICAL POST ON PAGE 13						
SIZE	Figure No.	Valve Type	End Type	Part Number	Price (USD)	Weight (lbs.)
3"	5158	NRS w/Post Plate	Flange	10303005158SS		
4"	5158	NRS w/Post Plate	Flange	10304005158SS	\$2,978.00	116
6"	5158	NRS w/Post Plate	Flange	10306005158SS	\$4,250.00	184
8"	5158	NRS w/Post Plate	Flange	10308005158SS	\$5,694.00	269
10"	5158	NRS w/Post Plate	Flange	10310005158SS	\$7,492.00	429
12"	5158	NRS w/Post Plate	Flange	10312005158SS		549
2 1/2"	5168	OS&Y	Flange	10302125168SS	\$1,195.00	81
3"	5168	OS&Y	Flange	10303005168SS	\$1,195.00	81
4"	5168	OS&Y	Flange	10304005168SS	\$1,552.00	116
6"	5168	OS&Y	Flange	10306005168SS	\$2,208.00	165
8"	5168	OS&Y	Flange	10308005168SS	\$3,030.00	275
10"	5168	OS&Y	Flange	10310005168SS	\$5,575.00	446
12"	5168	OS&Y	Flange	10312005168SS	\$7,260.00	580

1. MJ accessories for PIV valves are available upon request. They include the following items: nuts, bolts and rubber gasket. See page 10 for pricing.

2. All valve part numbers that include an "A" or "ABF" in the part description include tap(s) in the body of the valve. See page 10 for location and additional tap options.

3. All valve part numbers that are identified with a SS include 304 stainless steel fasteners. See page 10 for other fastener options.

4. The following additional end types are available upon request: Push-On for PVC (SDR), MJ for Tapping, Push-On for D.I., C900, MJ Cutting-In or Push-On D.I. by Flange.

DOUBLE DISC GATE VALVES & HDPE GATE VALVES



DDGV DOUBLE DISC GATE VALVES UL/FM APPROVED

SIZE	C71 MJ w/Post Plate L/ACC	C701 FLG WALL POST	OS&Y
4"	\$1,518.00	\$1,652.00	--
6"	\$1,666.00	\$2,118.00	--
8"	\$2,050.00	\$3,158.00	--
10"	\$3,106.00	\$4,862.00	--
12"	\$4,692.00	\$5,814.00	--
14"	POA	POA	POA



See page 9 for MJ Accessories

For use with indicator (see page 13):

C71 MJ Gate Valve uses a 2945 Adjustable or Fixed vertical indicator post

C701 Flanged Gate Valve uses a 2945W wall indicator post

HDPE END CONNECTION IPS SDR 9 & 11 (FM ONLY)

USE WITH 2945 VERTICAL POST ON PAGE 13

SIZE	Figure No.	Valve Type	End Type	Part Number	Price (USD)	Weight (lbs.)
4"	IPS09	NRS	HDPE IPS	10204IPS09PIPE	\$1,601.00	68
6"	IPS09	NRS	HDPE IPS	10206IPS09PIPE	\$2,105.00	133
8"	IPS09	NRS	HDPE IPS	10208IPS09PIPE	\$3,383.00	222
10"	IPS09	NRS	HDPE IPS	10210IPS09PIPE	\$5,757.00	385
12"	IPS09	NRS	HDPE IPS	10212IPS09PIPE	\$8,131.00	493
4"	IPS11	NRS	HDPE IPS	10204IPS11PIPE	\$1,551.00	68
6"	IPS11	NRS	HDPE IPS	10206IPS11PIPE	\$2,041.00	133
8"	IPS11	NRS	HDPE IPS	10208IPS11PIPE	\$3,335.00	222
10"	IPS11	NRS	HDPE IPS	10210IPS11PIPE	\$5,763.00	385
12"	IPS11	NRS	HDPE IPS	10212IPS11PIPE	\$8,015.00	493





RESILIENT WEDGE GATE VALVES

KSFV, KSRW & 2638

OPTIONAL ITEMS

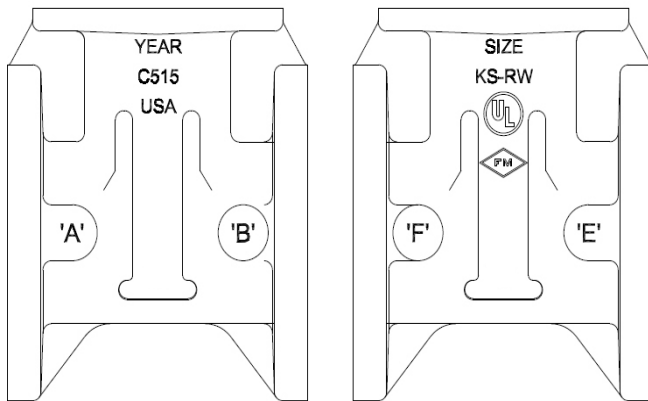
MECHANICAL JOINT ACCESSORY KITS

PER END CONDITION: EACH KIT INCLUDES 1- RING, 1- GASKET AND FASTENERS

SIZE	Figure No.	Valve Type	End Type	Part Number	Price (USD)	Weight (lbs.)
4"	MJACC	NRS	Mech Joint	1060400MJACC	\$81.00	8
6"	MJACC	NRS	Mech Joint	1060600MJACC	\$127.00	12
8"	MJACC	NRS	Mech Joint	1060800MJACC	\$142.00	15
10"	MJACC	NRS	Mech Joint	1061000MJACC	\$209.00	20
12"	MJACC	NRS	Mech Joint	1061200MJACC	\$259.00	45

VALVES TAP LOCATIONS

All 12" and down Kennedy NRS and OS&Y valves can be tapped at up to four locations: A, B, E, F. See figure below for locations on the valve body. Grooved end valves are stocked with A,B,&F locations tapped. All taps are 3/4" except 4" and down flanged valves are 1/2" taps. Plugs are low carbon steel or silicon bronze and are coated over during the Kennedy Powder Coating process. The plugs are easily removed by utilizing deep well 4-point sockets.



Valve Size	Price (USD) Per Tap	Notes
2" - 4"	\$37.00	Prices are for additional taps to stocked items
6" - 8"	\$37.00	
10" - 12"	\$37.00	
14" and Larger	\$37.00	

NRS AND OS&Y FASTENER OPTIONS

All valve part numbers that are identified with an SS include 304 stainless steel fasteners.

Valve Size	304SS	316SS	Valve Size	304SS	316SS
2" -4"	\$	\$99.00	14"	\$	\$492.00
6"	\$	\$99.00	16"	\$	\$492.00
8"	\$	\$189.00	18"	\$	\$821.00
10"	\$	\$231.00	20"	\$	\$880.00
12"	\$	\$322.00	24"	\$	\$1,922.00

RESILIENT WEDGE GATE VALVES

KSFW, KSRW & 2638

OPTIONAL ITEMS



NRS AND OS&Y STEM OPTIONS

Non-Rising Gate Valves:

Stocked: ASTM B584 High Strength Manganese Bronze
 Optional: ASTM A276 Type 304SS, Type 316SS,
 ASTM B763 NDZ Bronze

SIZE	Valve Type	ASTM A276 Type 304SS	ASTM A276 Type 316SS	ASTM B763 NDZ Bronze
2 1/2"	NRS	N.A.	N.A.	N.A.
3"	NRS	P.O.A.	P.O.A.	P.O.A.
4"	NRS	P.O.A.	P.O.A.	P.O.A.
6"	NRS	P.O.A.	P.O.A.	P.O.A.
8"	NRS	P.O.A.	P.O.A.	P.O.A.
10"	NRS	P.O.A.	P.O.A.	P.O.A.
12"	NRS	P.O.A.	P.O.A.	P.O.A.
14"	NRS	P.O.A.	P.O.A.	P.O.A.
16"	NRS	P.O.A.	P.O.A.	P.O.A.
18"	NRS	P.O.A.	P.O.A.	P.O.A.
20"	NRS	P.O.A.	P.O.A.	P.O.A.
24"	NRS	P.O.A.	P.O.A.	P.O.A.

OS&Y Gate Valves:

Stocked: ASTM A276 Type 304SS
 Optional: ASTM A276 Type 316SS,
 ASTM B98 Silicon Bronze, ASTM B371 Brass

SIZE	Valve Type	ASTM A276 Type 316SS	ASTM B98 Silicon Bronze	ASTM B371 Brass
2 1/2"	OS&Y	P.O.A.	P.O.A.	P.O.A.
3"	OS&Y	P.O.A.	P.O.A.	P.O.A.
4"	OS&Y	P.O.A.	P.O.A.	P.O.A.
6"	OS&Y	P.O.A.	P.O.A.	P.O.A.
8"	OS&Y	P.O.A.	P.O.A.	P.O.A.
10"	OS&Y	P.O.A.	P.O.A.	P.O.A.
12"	OS&Y	P.O.A.	P.O.A.	P.O.A.
14"	OS&Y	P.O.A.	P.O.A.	P.O.A.
16"	OS&Y	P.O.A.	P.O.A.	P.O.A.
18"	OS&Y	P.O.A.	P.O.A.	P.O.A.
20"	OS&Y	P.O.A.	P.O.A.	P.O.A.
24"	OS&Y	P.O.A.	P.O.A.	P.O.A.

Please contact Kennedy Valve for availability and price, 800-952-4711

Flange Protective Covers

Valve Size	Part#	Description	List
3"	441597P	Flange Protector 7 1/2 Diameter	\$9.90
4"	441599P	Flange Protector 9" Diameter	\$9.90
6"	441602P	Flange Protector 11" Diameter	\$9.90
8"	441603P	Flange Protector 13 1/2" Diameter	\$9.90
10"	441605P	Flange Protector 13 1/2" Diameter	\$18.38
	441601P	Flange Protector - Plywood	\$14.15

Protective are plastic unless noted otherwise

BUTTERFLY VALVES ONLY - CHAINWHEEL PART CODE - FIG. 187

VALVE SIZE	TYPE	CHAINWHEEL PART CODE	PRICE	CHAIN PART CODE	PRICE/FOOT
G300 / G300E / W300*	#0	445852P	\$260.00	450692F	\$7.00
O1G/O1W**	#1 1/2	445856P	\$189.00	450693F	\$7.00
* 2-1/2" - 6", ** 8"					



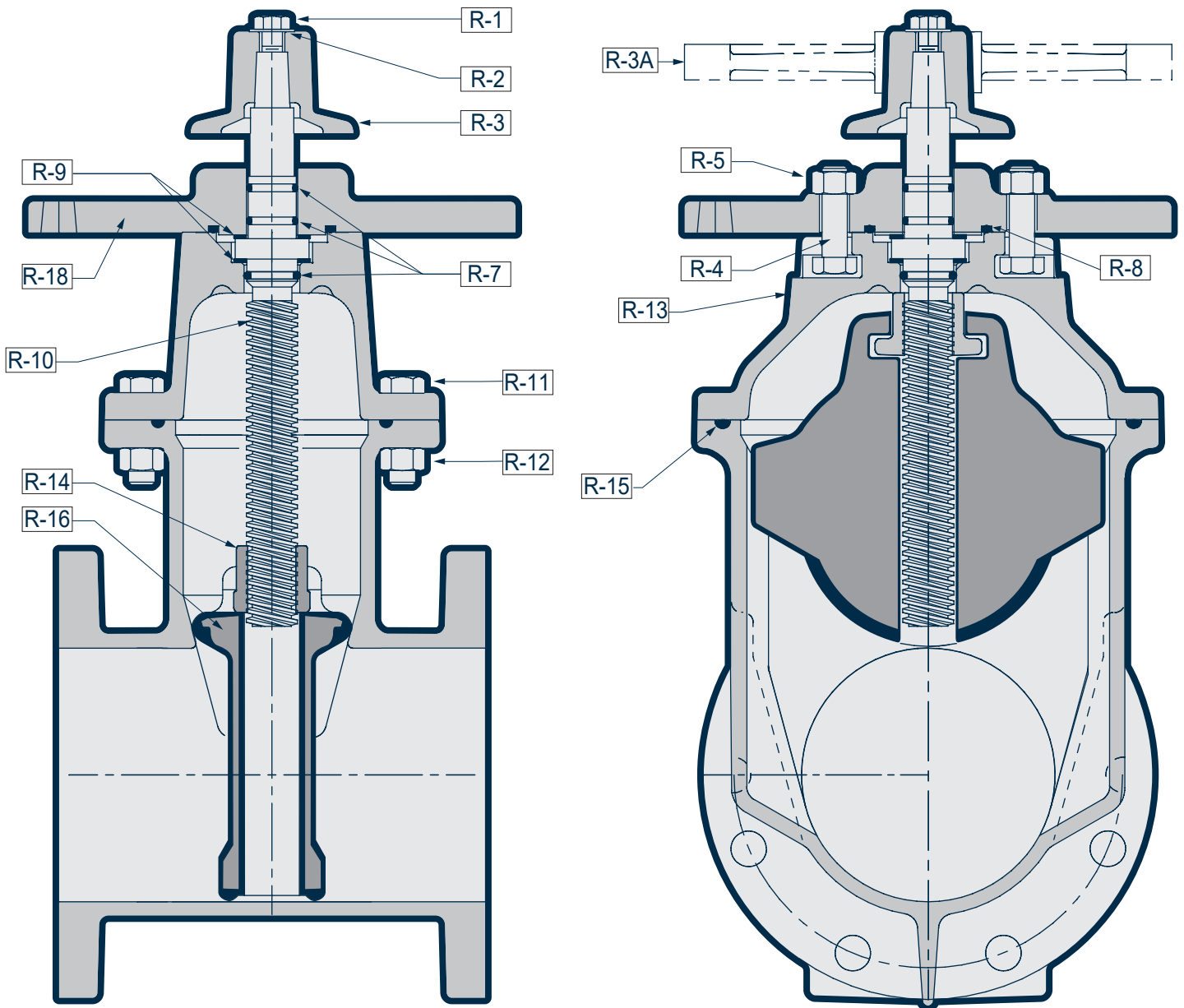
RESILIENT WEDGE GATE VALVES ONLY - CHAINWHEEL PART CODE - FIG. 187

VALVE SIZE	TYPE	CHAINWHEEL PART CODE	PRICE	CHAIN PART CODE	PRICE/FOOT
2 1/2"	#2	445858P	\$218.00	450693F	\$7.00
3,4,6"	#2 1/2	445860P	\$335.00	450694F	\$7.00
8"	#3	445862P	\$398.00	450694F	\$7.00
10, 12"	#3 1/2	445864P	\$561.00	450694F	\$7.00



RESILIENT SEATED GATE VALVES KSFW & KSRW NRS (NON-RISING STEM)

NRS ASSEMBLY See page 12 for parts list



FLANGED NRS VALVE SHOWN

Items R-6 and R-17 are not displayed on this drawing

RESILIENT SEATED GATE VALVES PARTS KSFW & KSRW NRS (NON-RISING STEM)



Item#	Description	2 1/2"	Part#	3"	Part#	4"	Part#
R-1	Hold down Hex Bolt	\$6.00	460237P	\$6.00	460237P	\$6.00	460237P
R-2	Hold down Bolt Washer	\$2.00	445794P	\$2.00	445794P	\$2.00	445794P
R-3	Operating Nut O/L*	\$28.00	328080&	\$28.00	328081&	\$28.00	328080&
R-3A	Hand wheel O/L*	\$82.00	3280585&	\$82.00	328086&	\$82.00	328086&
R-4	Stuffing Box Bolts	\$3.00	460231P	\$3.00	460269P	\$3.00	460301P
R-5	Stuffing Box Nuts	\$3.00	460218P	\$3.00	460218P	\$3.00	460212P
R-6	Stuffing Box (not shown)	\$29.00	3301812	\$29.00	3301822	\$55.00	3301832
R-7	Stem O Ring	\$3.00	442638P	\$3.00	442676P	\$3.00	442676P
R-8	Stuffing Box O Ring	\$6.00	442652P	\$7.00	442732P	\$7.00	442732P
R-9	Thrust Washer	\$2.00	445932P	\$2.00	445933P	\$2.00	445933P
R-10	Stem O/L*	\$129.00	3280302	\$267.00	3280312	\$282.00	3280322
R-11	Cover Hex Bolts	\$3.00	460269P	\$3.00	460269P	\$3.00	460269P
R-12	Cover Nuts	\$3.00	460218P	\$3.00	460218P	\$3.00	460218P
R-13	Cover	\$239.00	3318054	\$324.00	3317064	\$363.00	3318084
R-14	Stem Nut O/L*	\$65.00	3280602	\$69.00	3280162	\$69.00	3280612
R-15	O Ring (Cover)	\$11.00	442790P	\$16.00	442760P	\$18.00	442610P
R-16	Wedge Disc	\$253.00	2280992	\$227.00	2281002	\$339.00	2280932
R-17	Plug (not shown)	\$8.00	443475P	\$8.00	443475P	\$8.00	443475P
R-18	Post Plate Adapter			\$224.00	3281872	\$224.00	3281872

Item#	Description	6"	Part#	8"	Part#	10"	Part#
R-1	Hold down Hex Bolt	\$6.00	444385P	\$6.00	444385P	\$7.00	460228P
R-2	Hold down Bolt Washer	\$2.00	445832P	\$2.00	445832P	\$3.00	445832P
R-3	Operating Nut O/L*	\$28.00	328082&	\$28.00	328083&	\$29.00	328084&
R-3A	Hand wheel O/L*	\$149.00	328766P	\$149.00	328768P	\$299.00	328770P
R-4	Stuffing Box Bolts	\$3.00	460241P	\$3.00	460242P	\$7.00	460233P
R-5	Stuffing Box Nuts	\$3.00	460212P	\$3.00	460212P	\$5.00	460234P
R-6	Stuffing Box (not shown)	\$56.00	3301842	\$70.00	3301852	\$90.00	3301862
R-7	Stem O Ring	\$7.00	477531P	\$7.00	442642P	\$7.00	442644P
R-8	Stuffing Box O Ring	\$7.00	442649P	\$7.00	442649P	\$7.00	442739P
R-9	Thrust Washer	\$3.00	445936P	\$3.00	445938P	\$4.00	445940P
R-10	Stem O/L*	\$382.00	3280332	\$515.00	3280342	\$734.00	3280352
R-11	Cover Hex Bolts	\$3.00	460242P	\$3.00	460243P	\$4.00	460244P
R-12	Cover Nuts	\$3.00	460212P	\$3.00	460212P	\$3.00	460212P
R-13	Cover	\$401.00	3318124	\$453.00	3318164	\$797.00	3318204
R-14	Stem Nut O/L*	\$124.00	3280622	\$143.00	3280632	\$182.00	3280642
R-15	O Ring (Cover)	\$19.00	442761P	\$22.00	442762P	\$29.00	442764P
R-16	Wedge Disc	\$429.00	2280942	\$646.00	2280952	\$983.00	2280962
R-17	Plug (not shown)	\$8.00	443488P	\$8.00	443488P	\$8.00	443488P
R-18	Post Plate Adapter	\$224.00	3281882	\$224.00	3281883	\$224.00	3281892

All parts for a 12" are the same as a 10" except the following:

Item#	Description	12"	Part#
R-10	Stem O/L*	\$921.00	3280362
R-11	Cover Hex Bolts	\$4.00	460389P
R-13	Cover	\$1,107.00	3318244
R-15	O-ring (Cover)	\$33.00	442766P
R-16	Wedge Disc	\$1,298.00	2280972

* - For open right options call Customer Service

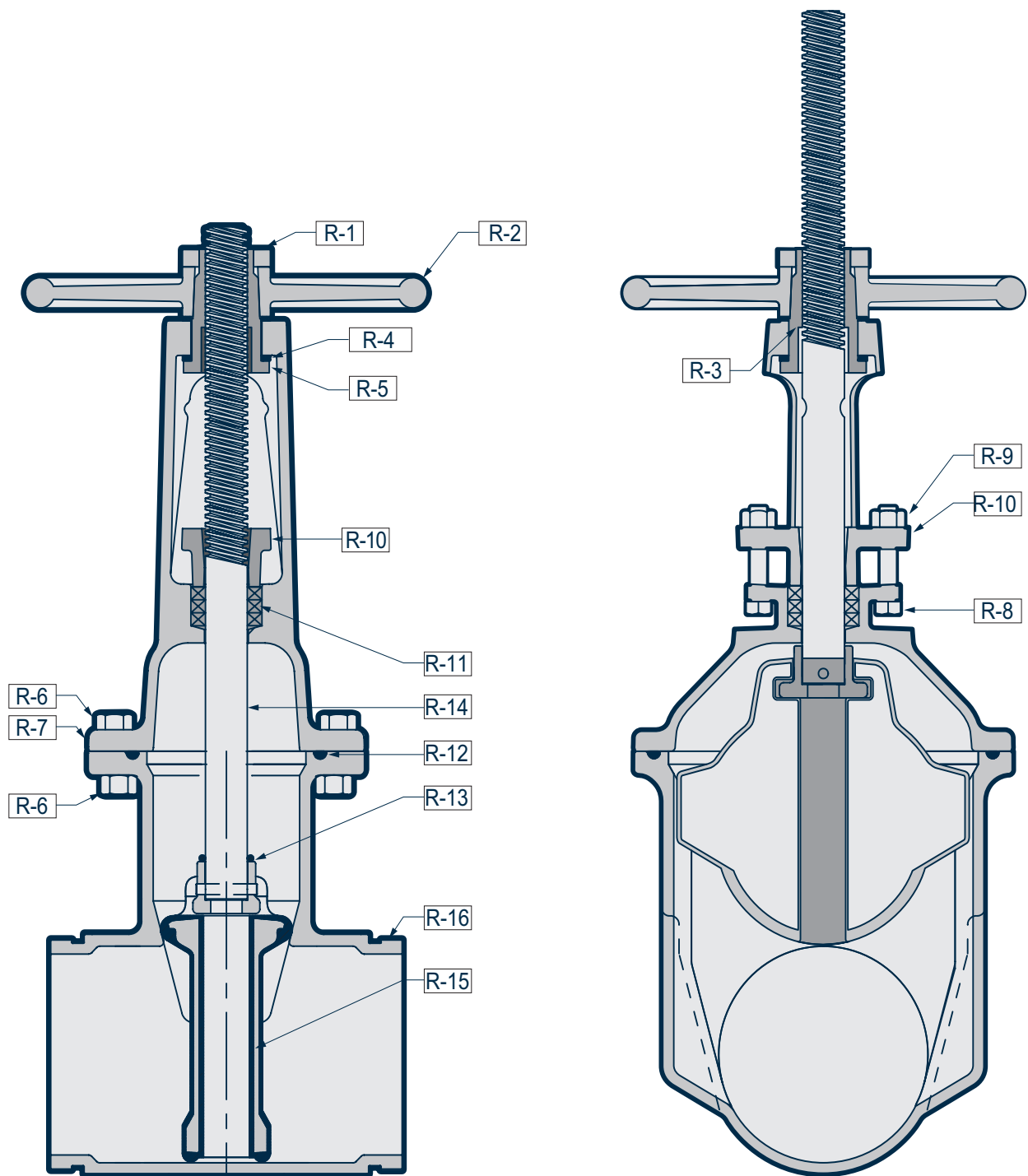
Customer Service, 800-952-4771



RESILIENT SEATED GATE VALVES KSFW & KSRW OS&Y (OUTSIDE STEM AND YOKE)

OS&Y ASSEMBLY

See page 14 for parts list



GROOVED OS&Y VALVE SHOWN

R-17 NOT SHOWN

RESILIENT SEATED GATE VALVES PARTS KSFW & KSRW OS&Y (OUTSIDE STEM AND YOKE)



Item#	Description	2 1/2"	Part#	3"	Part#	4"	Part#
R-1	Handwheel Nut	\$47.00	3280762	\$47.00	3280763	\$47.00	3280763
R-2	Handwheel	\$96.00	328772&	\$156.00	328773&	\$156.00	328773&
R-3	Upper Thrust Washer (Brass)			\$15.00	445943P	\$15.00	445943P
R-4	Lower Thrust Washer	\$3.00	445938P	\$4.00	440437P	\$4.00	440437P
R-5	Yoke Nut	\$117.00	3280702	\$147.00	3280712	\$147.00	3280712
R-6	Cover Hex Bolts	\$2.00	444350P	\$2.00	444350P	\$2.00	444350P
	Cover Nuts	\$2.00	477495P	\$2.00	477495P	\$2.00	477495P
R-7	Cover	\$293.00	3365052	\$352.00	3365062	\$381.00	3327082
R-8	Packing Sq. Hd Bolts	\$12.00	440241P	\$12.00	440241P	\$12.00	440241P
R-9	Packing Brass Hex Nuts	\$12.00	442430P	\$12.00	442430P	\$12.00	442430P
R-10	Packing Gland (1 pc)	\$44.00	328140P	\$47.00	328141P	\$47.00	328141P
R-11	Packing (per valve)	\$22.00	447072P	\$22.00	447074P	\$22.00	447074P
R-12	Cover O-ring	\$12.00	443801P	\$16.00	443802P	\$16.00	443803P
R-13	Stem O-ring	\$7.00	442756P	\$9.00	442757P	\$9.00	442757P
R-14	Stem	\$176.00	2280504	\$290.00	2280512	\$323.00	2280522
R-15	Wedge	\$187.00	2280992	\$277.00	2281002	\$339.00	2280932
R-16	Body - End Condition Varies	\$594.00	3341053	\$628.00	3341063	\$721.00	3341083
R-17	Plug (not shown)	\$8.00	443475P	\$8.00	443475P	\$8.00	443475P
Item#	Description	6"	Part#	8"	Part#	10"	Part#
R-1	Handwheel Nut	\$53.00	3280772	\$53.00	3280772	\$73.00	3280782
R-2	Handwheel	\$183.00	328776&	\$224.00	328778&	\$350.00	328780&
R-3	Upper Thrust Washer (Brass)	\$21.00	445946P	\$21.00	445946P	\$29.00	445948P
R-4	Lower Thrust Washer	\$12.00	440438P	\$12.00	440438P	\$15.00	440439P
R-5	Yoke Nut	\$191.00	3280722	\$220.00	3280732	\$264.00	3280742
R-6	Cover Hex Bolts	\$2.00	444362P	\$2.00	477021P	\$3.00	444341P
	Cover Nuts	\$2.00	477497P	\$2.00	477497P	\$2.00	477497P
R-7	Cover	\$440.00	3325122	\$549.00	3325162	\$851.00	3325202
R-8	Packing Sq. Hd Bolts	\$12.00	440241P	\$12.00	440241P	\$18.00	440205P
R-9	Packing Brass Hex Nuts	\$12.00	442430P	\$12.00	442430P	\$18.00	442432P
R-10	Packing Gland (1 pc)	\$59.00	328142P	\$70.00	328143P	\$82.00	328144P
R-11	Packing (price per ft - 2ft req)	\$22.00	447076P	\$22.00	447076P	\$22.00	447080P
R-12	Cover O-ring	\$16.00	443804P	\$19.00	443805P	\$22.00	443806P
R-13	Stem O-ring	\$10.00	442758P	\$12.00	442759P	\$13.00	442763P
R-14	Stem*	\$499.00	2280532	\$697.00	2280542	\$938.00	2280552
R-15	Wedge	\$382.00	2280942	\$575.00	2280952	\$874.00	2280962
R-16	Body - End Condition Varies	\$1,060.00	3341123	\$1,391.00	3341163	\$2,307.00	3341203
R-17	Plug (not shown)	\$8.00	443488P	\$8.00	443488P	\$8.00	443488P

All parts for a 12" OS&Y are the same as a 10" OS&Y except the following:

Item#	Description	12"	Part#	Packing Repair Kit (Incl., packing, nuts, bolts)			
				Size	Item Number	Price (USD)	Weight (lbs)
R-6	Cover Hex Bolts	\$4.00	477025P				
	Cover Nuts	\$2.00	477497P	2" - 2 1/2"	1582212PRK7068	\$42.50	.50
R-7	Cover	\$1,018.00	3325242	3" - 4"	1580304PRK7068	\$42.50	.50
R-12	Cover O-ring	\$29.00	44P	6" - 8"	1580608PRK7068	\$42.50	.50
R-14	Stem*	\$1,058.00	3280562	10" - 12"	1581012PRK7068	\$42.50	1.00
R-15	Wedge	\$1,153.00	2280972	<i>Nuts and bolts are OEM and not stainless steel</i>			
R-16	Body - End Condition Varies	\$3,036.00	3341243				



INDICATOR POSTS

TELESCOPING BARREL 2945A TRENCH DEPTH LIMITS

Valve Size	Fig. 2945 B Post		Fig. 2945 C Post		Fig. 2945 D Post		Fig. 2945 E Post	
	Min	Max	Min	Max	Min	Max	Min	Max
4"	31	51	48	68	67	87	88	111
6"	35	55	53	76	71	91	92	115
8"	40	62	60	80	78	98	99	122
10"	45	65	63	83	81	101	102	125
12"	49	69	67	87	85	105	106	129
14" / 16"	58	78	76	96	94	114	115	138
18"	75	95	93	113	111	131	132	155
20"	76	96	94	114	112	132	133	156
24"	84	104	102	122	120	140	141	164

INDICATOR POST - ADJUSTABLE BARREL, STYLE 2945A w/wrench or wheel

Valve size	Post Type	Barrel Adjustment	Part Code	Price (USD)	Weight
4"-12"	"B" w/wrench	see chart above	115000B294201	\$2,130.00	174
4"-12"	"C" w/wrench	see chart above	115000C294201	\$2,130.00	202
4"-12"	"D" w/wrench	see chart above	115000D294201	\$2,427.00	230
4"-12"	"E" w/wrench	see chart above	115000E294201	\$2,507.00	265
4"-12"	"B" w/wheel	see chart above	115000B294501	\$2,342.00	186
4"-12"	"C" w/wheel	see chart above	115000C294501	\$2,342.00	214
4"-12"	"D" w/wheel	see chart above	115000D294501	\$2,639.00	249
4"-12"	"E" w/wheel	see chart above	115000E294501	\$2,719.00	285
14"-16"	"B" w/wrench	see chart above	115880B294216	\$2,502.00	184
14"-16"	"C" w/wrench	see chart above	115880C294216	\$2,502.00	212
14"-16"	"D" w/wrench	see chart above	115880D294216	\$2,799.00	227
18"-24"	"B" w/wrench	see chart above	115880B2945AL	\$3,152.00	205
18"-24"	"C" w/wrench	see chart above	115880C2945AL	\$3,152.00	220
18"-24"	"D" w/wrench	see chart above	115880D2945AL	\$3,549.00	235

INDICATOR POST - FIXED BARREL, STYLE 2945 w/wench

Valve size	Post	Fixed Barrel Length	Part Code	Price (USD)	Weight
4"-12"	F	54" LOWER BARREL	115000F294201	\$2,460.00	153
4"-12"	G	72" LOWER BARREL	115000G294201	\$2,460.00	183
4"-12"	H	96" LOWER BARREL	115000H294201	\$3,067.00	218

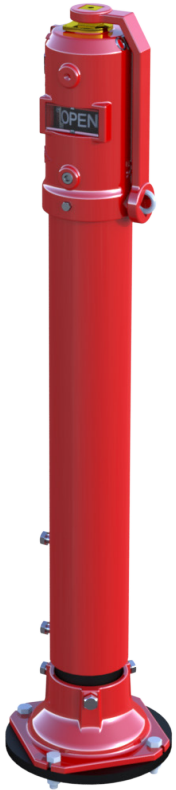
2945A (Adjustable) AND 2945 (Fixed) OPTIONAL ITEMS

Available Options	PRICE (USD)
For bury depths not shown or Open Right contact Customer Service	
Handwheel on vertical post (1 1/4" Sq.Nut)	\$212.00
Potter PCVS-2 Tamper Switch (460275P) not mounted	\$224.00

2945W (Wall Type)

Type/Options	PRICE (USD)	WEIGHT
For use with 8701A OR 7701 Post Indicator Valve 4"-12".....P/N 11500132945W500	\$2,018.00	72
For use with a 7701A Post Indicator Valve 14"-16"P/N 11500132945W516	\$2,018.00	72
Figure 551- 90 degree Angle Wall Post Kit (Not UL/FM Approved). Includes 2 angled gears, stems, and bracket		
Style A Includes (2) 18" stemsP/N 1590018 551CK	\$1,266.00	59
Style B Includes (2) 24" stems.....P/N 1590024 551CK	\$1,380.00	72
Style C Includes (2) 36" stemsP/N 1590036 551CK	\$1,610.00	80
Optional Gear CoverP/N 460153P	\$240.00	1
Potter PCVS-2 Tamper SwitchP/N 460275P not mounted	\$224.00	2

* Other stem sizes available upon request



2945 VERTICAL INDICATOR POST PARTS



ITEM #	PART #	DESCRIPTION	PRICE (USD)
P-1	446127P	LOCKING WRENCH	\$88.00
P-2	3024872 (4-14')	OPERATING NUT	\$331.00
P-3	442639P	RETAINER O-RING #226	\$13.00
P-4	3020912	TOP SECTION	\$440.00
P-5	441980P	WINDOW GLASS	\$13.00
P-6	443370P	OPEN TARGET	\$26.00
P-7	443371P	SHUT TARGET	\$26.00
P-8	TARGET CARRIER ASSEMBLY (1590314T294NA15W)		\$381.00
8.1	3005802 (4-14")	TARGET CARRIER NUT	\$205.00
8.2	443347P	TARGET CARRIER PLATE	\$32.00
8.3	440736P	CLAMP TARGET RETAINER	\$29.00
8.4	444171P	#10-24x1/2" PAN HEAD	\$3.00
8.5	442411P	#10-24 HEX NUT	\$3.00
P-9	443476P	1/2" NPT PIPE PLUG	\$6.00
P-10	440254P	3/8" EYEBOLT #23	\$59.00
P-11A	444303P	3/8"-16x1 HEX CAP SCREW (FIXED POST - F,G,&H)	\$6.00
P-11F	444306P	3/8"-16x11/2" HEX CAP SCREW (FIXED POST - F,G,&H)	\$6.00
P-12 B POST	221830B	STEM 1" SQ - 66.25"	\$292.00
P-12 C POST	221830C	STEM 1" SQ - 84.25"	\$348.00
P-12 D POST	221830D	STEM 1" SQ - 102.25"	\$395.00
P-12 (ALL OTHERS)	****	STEM 1" SQ	P.O.A.
P-13	318035&	CRANE COUPLING	\$88.00
P-14	442190P	COTTER PIN	\$9.00
P-15	444342P	3/4" HEX HEAD SCREW	\$13.00
P-16	3004774	TELESCOPING BARREL	\$528.00
P-17 B POST	3004472	STANDPIPE SECTION D.I. ADJUSTABLE	\$354.00
P-17 C POST	3004482	STANDPIPE SECTION D.I. ADJUSTABLE	\$383.00
P-17 D POST	3004492	STANDPIPE SECTION D.I. ADJUSTABLE	\$413.00
P-18	3180402	BASE FLANGE	\$352.00
P-19	444355P	5/8 x 1" HEX HEAD SCREW	\$13.00
P-20	444357P	5/8"x2 1/4" HEX CAPSCREW	\$2.00
P-21	442484P	5/8" HEX NUT	\$2.00
P-22	****	STANDPIPE SECT (FIXED POST F,G,&H)	P.O.A.
P-23	3004762	STANDPIPE SECT (FIXED POST F,G,&H)	\$103.00

VERTICAL INDICATOR POSTS - EXTENSION KITS

Includes all necessary gaskets, nuts and bolts along with stem, barrel and coupling.

LENGTH	PRICE (USD)
18"	\$846.00
24"	\$964.00
30"	\$1,078.00
36"	\$1,210.00
42"	\$1,333.00
48"	\$1,456.00
EXTENSION STEM COUPLING	\$48.00
EXTENSION PIPE COUPLING	\$302.00
PIPE COUPLING SET SCREWS	\$10.00

Old Style wrench (541-641-741) p/n 3361260.....\$88.00



WALL INDICATOR POST PARTS

2945W

ITEM #	PART#	DESCRIPTION	PRICE
WP-1	440253P	EYE BOLT	\$13.00
WP-2	477495P	1/2" HEXNUT	\$2.00
WP-3	445834P	WASHER	\$4.00
WP-4	446015P	14" DIA. HANDWHEEL	\$201.00
WP-5	3180283	COVER	\$154.00
WP-6	442639P	RETAINING RING	\$34.00
WP-7	3024872	OPERATING STEM NUT	\$331.00
WP-8	442482P	1/2" HEX NUTS	\$2.00
WP-9	444419P	BOLT 1/2-UNC x 2"	\$7.00
WP-10	444348P	BOLT 1/2-UNC x 1.75"	\$2.00
WP-11	3020912	TOP SECTION	800.00
WP-12	3005802	TARGET CARRIER NUT	\$205.00
WP-13	441980P	WINDOW	\$13.00
WP-14	444435P	SCREWS	\$4.00
WP-15	441587P	FERRULE	\$9.00
WP-16	443347P	PROTECTIVE STEEL PLATE	\$4.00
WP-17A	443370P	TARGET PLATE - OPEN	\$26.00
WP-17B	443371P	TARGET PLATE - SHUT	\$26.00
WP-18	440736P	CLAMPS - PLATED	\$2.00
WP-19	442576P	NUTS 1/4-20 UNC	\$3.00
WP-20	444171P	#10-24 x 1/2" PAN HEAD SCREW	\$1.00
WP-21	443476P	1/2" NPT PIPE PLUG	\$1.00
WP- 22	2180912	STEM 1" SQ. (BY LENGTH)	POA
WP-23	445312L	COTTER PIN	\$9.00
WP-24	318035&	CRANE COUPLING	\$88.00
WP-27	440245P	3/8" EYEBOLT #23	\$13.00
WP -28	444303P	3/8"-16 x 1 HEX CAP SCREW	\$7.00
WP-29	3180252	BASE FLANGE	\$120.00
WP-30	443599P	RETAINING RING	\$34.00

641(OBSOLETE)

ITEM #	PART#	DESCRIPTION	PRICE
WP-1	440253P	EYE BOLT	\$13.00
WP-2	477495P	NUT 1/2-UNC PLATED	\$2.00
WP-3	445834P	WASHER 5/8 O PLATED	\$4.00
WP-4	446015P	HANDWHEEL - 14" DIAMETER	\$201.00
WP-5	3180283	COVER	\$154.00
WP-6	443599P	RETAINING RING	\$34.00
WP-7	3180165	OPERATING STEM NUT	\$331.00
WP-8	442482P	NUTS 1/2-UNC PLATED	\$2.00
WP-9	444419P	BOLT 1/2-UNC x 2"	\$7.00
WP-10	444348P	BOLT 1/2-UNC x 1.75"	\$2.00
WP-11	3180204	TOP SECTION	888.00
WP-12	3180172	TARGET NUT	\$205.00
WP-13	441982P	WINDOWS - FLAT	\$8.00
WP-14	444435P	SCREWS	\$4.00
WP-15	441587P	FERRULE	\$9.00
WP-16	443344P	PROTECTIVE STEEL PLATE	\$10.00
WP-17A	443348P	TARGET PLATE - OPEN	\$26.00
WP-17B	443350P	TARGET PLATE - SHUT	\$26.00
WP-18	440734P	CLAMPS - PLATED	\$6.00
WP-19	442576P	NUTS 1/4-20 UNC	\$3.00
WP-20	444432P	MACH SCREW 1/4-20 x 7/8 LG	\$3.00
WP-21	443476P	PIPE PLUG - 1/2 NPT	\$6.00
WP-22	2180912	S/A STEM	\$157.00
WP-22	445312L	STEM (ORDER BY LENGTH)	POA
WP-23	442190P	COTTER PIN 1/4 x 3 LG	\$9.00
WP-24	318035&	CRANE COUPLING	\$88.00

Wrench

Old Style wrench (541-641-741) p/n 3361260.....\$88.00

UL/FM BUTTERFLY VALVES - 300PSI RATED (INCLUDES TAMPER PROOF DPDT SWITCHES)



BUTTERFLY VALVES - NORMALLY OPEN						
SIZE	Figure No.	Valve Type	End Type	Part Number	Price (USD)	Weight (lbs.)
2 1/2"	G300	STANDARD BODY	Groove	1760212G300IG	620.00	9
3"	G300	STANDARD BODY	Groove	1760300G300IG	\$672.00	11
4"	G300	STANDARD BODY	Groove	1760400G300IG	\$704.00	14
6"	G300	STANDARD BODY	Groove	1760600G300IG	\$1,056.00	25
8"	O1G	STANDARD BODY	Groove	176080001G	\$1,561.00	45
2 1/2"	G300E	EXTENDED BODY ¹	Groove	1760212G300EIG	\$851.00	13
3"	G300E	EXTENDED BODY ¹	Groove	1760300G300EIG	\$851.00	15
4"	G300E	EXTENDED BODY ¹	Groove	1760400G300EIG	\$906.00	18
6"	G300E	EXTENDED BODY ¹	Groove	1760600G300EIG	\$1,129.00	29
8"	O2G	EXTENDED BODY ^{1 2}	Groove	176080002G	\$1,795.00	55
2 1/2"	300W	WAFER BODY ³	Wafer	1760212W300IG	\$670.00	11
3"	300W	WAFER BODY ³	Wafer	1760300W300IG	\$734.00	11
4"	300W	WAFER BODY ³	Wafer	1760400W300IG	\$813.00	13
6"	300W	WAFER BODY ³	Wafer	1760600W300IG	\$1,089.00	21
8"	O1W	WAFER BODY ^{2 3}	Wafer	176080001W	\$1,604.00	43
BUTTERFLY VALVES - NORMALLY CLOSED						
SIZE	Figure No.	Valve Type	End Type	Part Number	Price (USD)	Weight (lbs.)
2 1/2"	G300C	STANDARD BODY	Groove	1760212G300CIG	\$676.00	9
3"	G300C	STANDARD BODY	Groove	1760300G300CIG	\$733.00	11
4"	G300C	STANDARD BODY	Groove	1760400G300CIG	\$767.00	14
6"	G300C	STANDARD BODY	Groove	1760600G300CIG	\$1,151.00	25
8"	O1G	STANDARD BODY	Groove	176080001GC	\$1,701.00	45
2 1/2"	G300EC	EXTENDED BODY ¹	Groove	1760212G300ECIG	\$928.00	13
3"	G300EC	EXTENDED BODY ¹	Groove	1760300G300ECIG	\$928.00	15
4"	G300EC	EXTENDED BODY ¹	Groove	1760400G300ECIG	\$988.00	18
6"	G300EC	EXTENDED BODY ¹	Groove	1760600G300ECIG	\$1,231.00	29
8"	O2G	EXTENDED BODY ¹	Groove	176080002GC	\$1957.00	45
2 1/2"	300CW	WAFER BODY ³	Wafer	1760212W300CIG	\$804.00	11
3"	300CW	WAFER BODY ³	Wafer	1760300W300CIG	\$868.00	11
4"	300CW	WAFER BODY ³	Wafer	1760400W300CIG	\$948.00	13
6"	300CW	WAFER BODY ³	Wafer	1760600W300CIG	\$1,224.00	21
8"	O1W	WAFER BODY ³	Wafer	1760800W300C	\$1,739.00	43

All valves are UL Listed and FM Approved for indoor use and for outdoor use outdoor service without direct exposure to precipitation or being submerged, unless noted

NOTES:

1. Valve includes 4 - 3/4" taps
2. 8" valves are UL /ULC and FM approved for indoor use and UL/ULC for ambient outdoor service without direct exposure to precipitation or being submerged.
3. When installed with grooved flange adapters no additional gasketing required.

PARTS AND TOOLS:

Tamper Switches for BFV Figure Nos. O1G, O2G, & O1W	Part No. 406561P	\$ 80.00
Tamper Proof Wrench for BFV Figure Nos. O1G, O2G, & O1W	Part No. 446080P	\$160.00
Handwheel Tool for BFV Figure Nos. G300(C), G300E(C), G300W	Part No. 442051P	\$ 21.75

FOR CHAINWHEEL OPTIONS SEE PAGE 10

Customer Service, 800-952-4771



UL/FM CHECK VALVES

SIZE	Figure No.	Valve Type	End Type	Part Number	Price (USD)	Weight (lbs.)
2 1/2"	1126	BRONZE SEAT	Flange	16202121126	\$1,027.00	52
3"	1126	BRONZE SEAT	Flange	16203001126	\$1,157.00	60
4"	1126	BRONZE SEAT	Flange	16204001126	\$1,535.00	111
6"	1126	BRONZE SEAT	Flange	16206001126	\$2,453.00	194
8"	1126	BRONZE SEAT	Flange	16208001126	\$4,805.00	348
10"	1126	BRONZE SEAT	Flange	16210001126	\$6,736.00	506
12"	1126	BRONZE SEAT	Flange	16212001126	\$9,577.00	746
2 1/2"	1126A	ELASTOMER SEAT	Flange	16202121126A	\$1,027.00	52
3"	1126A	ELASTOMER SEAT	Flange	16203001126A	\$1,157.00	60
4"	1126A	ELASTOMER SEAT	Flange	16204001126A	\$1,535.00	111
6"	1126A	ELASTOMER SEAT	Flange	16206001126A	\$2,453.00	194
8"	1126A	ELASTOMER SEAT	Flange	16208001126A	\$4,805.00	348
10"	1126A	ELASTOMER SEAT	Flange	16210001126A	\$6,736.00	506
12"	1126A	ELASTOMER SEAT	Flange	16212001126A	\$9,577.00	746
4"	806**	WAFER CHECK	Wafer	1630400806	\$468.00	12
6"	806**	WAFER CHECK	Wafer	1630600806	\$744.00	18
8"	806**	WAFER CHECK	Wafer	1630800806	\$1,201.00	26
2 1/2"	726	GROOVED CHECK	Groove	1350212726	\$667.00	15
3"	726	GROOVED CHECK	Groove	1350300726	\$740.00	20
4"	726	GROOVED CHECK	Groove	1350400726	\$926.00	25
6"	726	GROOVED CHECK	Groove	1350600726	\$1,404.00	50
8"	726	GROOVED CHECK	Groove	1350800726	\$2,108.00	68

**** - WHEN INSTALLING WITH GROOVED FLANGE ADAPTERS, FLANGE ADAPTER WASHER IS REQUIRED. NO EXTRAS GASKETS REQUIRED WHEN USING FLAT FACE FLANGES.**

TAPPING NOTES:

FLANGED 1126 & 1126A SWING CHECK VALVES ARE FACTORY TAPPED WITH A 3/4" TAP AT POSTION 'C' FOR DRAIN

GROOVED 726 CHECKS ARE TAPPED WITH A 1/2" TAP FOR BALL DRIP.

ALL OTHER TAPS ARE AN ADD OF \$100.00 PER TAP TO LIST PRICE

MAXIMUM TAP SIZES ARE: 3/4" ON 2 1/2" & 3" VALVES; 1" ON 4"; 1 1/4" ON 5" & 6", AND 1 1/2" ON 8" TO 12" VALVES

#726R TRIM KITS:

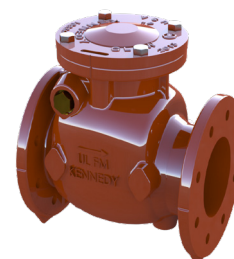
Price upon request

TRIM KITS INCLUDE: TWO GUAGES, TWO 1/4" 3-WAY GLOBE VALVES, TWO 1/4" PLUGS, TWO 1/4" X (xx") NIPPLES, AND ONE 1 1/4" OR 1 1/2" NIPPLE FOR ANGLE VALVE.

2 1/2"-4" VALVES HAVE 1 1/4" ANGLE VALVES

6" & 8" VALVES HAVE A 1 1/2" ANGLE VALVE.

For information on Check Valve repair parts, contact Kennedy Valve



K17 INDUSTRIAL HYDRANT 6" MAIN VALVE AND INLET FM, AWWAC502



STANDARD UPPER BARREL (2 - HOSE NOZZLES AND 1 - PUMPER NOZZLE)

DEPTH OF TRENCH	6" FLANGE ELBOW SHOE	6" FLANGE STRAIGHT SHOE
1' 6"	\$9,415.00	\$9,610.00
2' 0"	\$9,520.00	\$9,715.00
2' 6"	\$9,625.00	\$9,820.00
3' 0"	\$9,730.00	\$9,925.00
3' 6"	\$9,835.00	\$10,030.00
4' 0"	\$9,940.00	\$10,135.00
4' 6"	\$10,045.00	\$10,240.00
5' 0"	\$10,150.00	\$10,345.00
5' 6"	\$10,255.00	\$10,450.00
6' 0"	\$10,360.00	\$10,555.00

ADDITIONAL TRENCH DEPTH PRICING IS AVAILABLE UPON REQUEST

K17 CHECKLIST REQUIRED FOR ALL PRICING REQUESTS AND ORDERS

K17 Monitor Arm.....	\$5,790.00
Locking Wrench.....	\$125.00
Mechanical Joint Shoe Connections.....	Call For Options And Pricing
Independant Hose Gates	See Page 22 For Pricing
StorzConnections.....	4" - 560.00, 5" - \$665.00

K17 Extension Kits

LENGTH OF EXTENSION	ITEM NUMBER	PRICE (USD)	WEIGHT
6"	1583326952SS	P.O.A	19
12"	1583326962SS	P.O.A.	31
18"	1583326972SS	P.O.A	43
24"	1583326982SS	P.O.A	55



K81-D GUARDIAN 5 1/4" MAIN VALVE OPENING WITH 6" OR 8" INLET CONNECTIONS

DEPTH OF TRENCH	6" FLANGE SHOE	6" MJ SHOE L/ACC	6" FLANGE SHOE	6" MJ SHOE L/ACC	6" FLANGE SHOE	6" MJ SHOE L/ACC	6" STRAIGHT SHOE	8" MJ SHOE L/ACC
	(2)-2 1/2" Hose & (1)-4" Pumper		(2)-2 1/2" Hose		(2)-4" Pumpers			
1' 6"	\$3,881.00	\$3,881.00	\$3,488.00	\$3,488.00	\$3,709.00	\$3,709.00	\$4,114.00	\$3,870.00
2' 0"	\$3,983.00	\$3,983.00	\$3,590.00	\$3,590.00	\$3,811.00	\$3,811.00	\$4,216.00	\$3,972.00
2' 6"	\$4,085.00	\$4,085.00	\$3,692.00	\$3,692.00	\$3,913.00	\$3,913.00	\$4,318.00	\$4,074.00
3' 0"	\$4,187.00	\$4,187.00	\$3,794.00	\$3,794.00	\$4,015.00	\$4,015.00	\$4,420.00	\$4,176.00
3' 6"	\$4,289.00	\$4,289.00	\$3,896.00	\$3,896.00	\$4,117.00	\$4,117.00	\$4,522.00	\$4,278.00
4' 0"	\$4,391.00	\$4,391.00	\$3,998.00	\$3,998.00	\$4,219.00	\$4,219.00	\$4,624.00	\$4,380.00
4' 6"	\$4,493.00	\$4,493.00	\$4,100.00	\$4,100.00	\$4,321.00	\$4,321.00	\$4,727.00	\$4,482.00
5' 0"	\$4,595.00	\$4,595.00	\$4,202.00	\$4,202.00	\$4,423.00	\$4,423.00	\$4,827.00	\$4,584.00
5' 6"	\$4,697.00	\$4,697.00	\$4,304.00	\$4,304.00	\$4,525.00	\$4,525.00	\$4,931.00	\$4,686.00
6' 0"	\$4,799.00	\$4,799.00	\$4,406.00	\$4,406.00	\$4,627.00	\$4,627.00	\$5,033.00	\$4,788.00
6' 6"	\$4,901.00	\$4,901.00	\$4,507.00	\$4,507.00	\$4,730.00	\$4,730.00	\$5,135.00	\$4,891.00
7' 0"	\$5,003.00	\$5,003.00	\$4,610.00	\$4,610.00	\$4,832.00	\$4,832.00	\$5,237.00	\$4,993.00
7' 6"	\$5,106.00	\$5,106.00	\$4,712.00	\$4,712.00	\$4,934.00	\$4,934.00	\$5,339.00	\$5,095.00
8' 0"	\$5,208.00	\$5,208.00	\$4,814.00	\$4,814.00	\$5,036.00	\$5,036.00	\$5,441.00	\$5,197.00
8' 6"	\$5,310.00	\$5,310.00	\$4,916.00	\$4,916.00	\$5,138.00	\$5,138.00	\$5,543.00	\$5,299.00
9' 0"	\$5,412.00	\$5,412.00	\$5,018.00	\$5,018.00	\$5,240.00	\$5,240.00	\$5,645.00	\$5,401.00
9' 6"	\$5,513.00	\$5,513.00	\$5,120.00	\$5,120.00	\$5,342.00	\$5,342.00	\$5,747.00	\$5,503.00
10' 0"	\$5,615.00	\$5,615.00	\$5,222.00	\$5,222.00	\$5,444.00	\$5,444.00	\$5,849.00	\$5,605.00
10' 6"	\$5,719.00	\$5,719.00	\$5,324.00	\$5,324.00	\$5,546.00	\$5,546.00	\$5,951.00	\$5,707.00
11' 0"	\$5,820.00	\$5,820.00	\$5,426.00	\$5,426.00	\$5,648.00	\$5,648.00	\$6,053.00	\$5,809.00
11' 6"	\$5,921.00	\$5,921.00	\$5,528.00	\$5,528.00	\$5,750.00	\$5,750.00	\$6,155.00	\$5,911.00

For end conditions or configurations not shown please call, 800-952-4771

For mechanical joint accessories see Page 9

For optional IPS SDR-11 FM-Rated HDPE End Connection.....Add \$500.00 to MJ Shoe L/ ACC

4" STORZ Connection.....Add \$566.00

5" STORZ Connection.....Add \$665.00

INDEPENDENT HOSE GATE VALVES



INDEPENDENT GATE VALVES			
DESCRIPTION	PART #		PRICE (USD)
BOLT-ON FIG. 109XNS, 2 1/2" HOSE GATE VALVE WITH CAP, CHAIN, AND GASKET			\$1030.00
THREADED 109XMN, 2 1/2" HOSE GATE VALVE LESS CAP, CHAIN, AND GASKET			\$1030.00
THREADED 109 XMNC, 2 1/2" HOSE GATE VALVE WITH CAP, CHAIN, AND GASKET			\$1100.00

INDEPENDENT GATE VALVES PARTS			
DESCRIPTION	PARTS #		PRICE (USD)
HEX NUT	442486P		\$5
HANDWHEEL	446040P		\$28
STUFFING BOX	3195082		\$44
HEX HEAD SCREW (EACH)	444354P (2 REQ)		\$2
HEX NUT (EACH)	442482P (2 REQ)		\$2
O RINGS (EACH)	442640P (2 REQ)		\$5
CAP WITH BUSHING	2195222		\$97
RUBBER SEAT ONLY	441828P		\$19
NOZZLE (NST ONLY)	3195275		\$125
HOSE NOZZLE CAP, CHAIN, GASKET	PARTS CODED INDIV		\$103
STEM	3195042		\$95
CAP TO BODY GASKET	441830P		\$15
BODY - 109XMNC	3195712		\$290
BODY - 109XNS	3195212		\$290
BODY - 109XMN	3195712		\$290
DISC	3195262		\$61
CHAIN	477073P		\$16
PIN	3159442		\$5
BOLT FOR 109XNS	444417P (2 REQ)		\$8
1/4 TURN BOLT ON ADAPTER	3195392 FOR MOUNTING 109		\$200
VALVE TO HYDRANT GASKET	441692P		\$10

Please specify threading detail and nut size when ordering screwed body, nozzle and cap



NOTES

TERMS & CONDITIONS

1. **ENTIRE AGREEMENT.** Each party agrees that all sales of goods (“Goods”) by McWane, Inc. (“Seller”) to Buyer are governed by these Terms and Conditions of Sale (the “Terms and Conditions”) which supersede any other or inconsistent terms of Buyer or Seller. Each party agrees that the Terms and Conditions will also govern all sales of Goods to Buyer by any McWane, Inc. subsidiary, affiliate or division, in which case such subsidiary, affiliate or division will be the “Seller” under this Agreement (unless otherwise agreed in writing by such subsidiary, affiliate or division). Buyer acknowledges that these Terms and Conditions are subject to change from time to time and the parties agree that each sale of Goods will be governed by the version of Terms and Conditions available online at www.mcwane.com at the time of acceptance by Seller of an order for such Goods. The Terms and Conditions and the order for Goods from Buyer and agreed by Seller (“Order”) or other contract documents to which they apply constitute the entire agreement between the parties with respect to Goods (“Agreement”). All references by Seller to Buyer’s specifications and similar requirements are only to describe Goods and work covered hereby and no warranties or other terms will have any force or effect. No other or inconsistent terms of Buyer, no modification, amendment or waiver to this Agreement and no cancellation, change or return of any Order under this Agreement will be binding on Seller until agreed in writing by Seller’s authorized representative. Buyer may not rely on any representation, promise or term not set forth herein and Seller expressly objects to and rejects all terms not contained in this Agreement. Seller’s acceptance of Orders, whether oral or written, and/or its delivery of Goods to Buyer is based on the express condition that Buyer agrees to all of these Terms and Conditions.

2. **QUOTATIONS.** Where this Agreement is used by Seller to place a bid, Seller’s quotation is for prompt acceptance and Seller may change and/or withdraw without notice. Buyer’s prompt acceptance of the quotation is a material term of the bid and any subsequent agreement. In cases where freight allowance is included in the quotation, Buyer is liable for any rate increase and/or additional expense over the calculated allowance resulting from compliance with Buyer’s shipping instructions.

3. **DELIVERY.** Delivery terms (stated in Incoterms® 2010) are as stated on each Order. All shipping dates are approximate and any time period indicated for a shipment will not begin until receipt at Seller’s plant of complete manufacturing, shipping and credit information. Tender of delivery is deemed to occur at the earliest of (A) acceptance of shipment by designated shipper, (B) allocation of Goods to Buyer at premises other than Seller’s, (C) delivery to Buyer’s representative or designee or (D) mailing of an invoice to Buyer. Title to Goods will pass to Buyer on tender of delivery, subject to Seller’s right of stoppage in transit and to any interest of Seller reserved to secure Buyer’s payment or performance, irrespective of any freight allowance or prepayment of freight. If Seller holds Goods per Buyer’s instructions or because Buyer has failed to supply shipping instructions or because Seller, in its sole discretion, determines that any part of Goods should be held for Buyer’s account, Seller may invoice for the Goods and Buyer agrees to make payment at the maturity of the invoice rendered. Goods invoiced and held at any location for whatever reason will be at Buyer’s risk and Seller may charge for (but is not obligated to carry) insurance, storage and other expenses incident to such delay at its prevailing rates. Partial deliveries will be accepted by Buyer and paid for at Agreement prices and terms. When Buyer has declared or manifested an intention not to accept delivery, no tender will be necessary, but Seller may, at its option, give written notice to Buyer that Seller is ready and willing to deliver and such notice will constitute a valid tender of delivery. Buyer must report any shortages in shipments within three (3) calendar days of receipt of the initial shipment. Buyer may not make any deduction from any payment due hereunder by reason of loss or damage to Goods in transit. On Buyer’s written request, Seller, in its sole discretion, may agree as a service to Buyer to process Buyer’s claim against the carrier for any loss or damage in transit, provided that Seller receives such claim within five (5) days of delivery of the Goods. All claims must be accompanied by a delivery receipt, signed by carrier’s agent at time of delivery, on which receipt the loss or damage has been noted, or such claims will be waived.

4. **PRICES; PAYMENT.** Prices and payment terms are stated on Seller’s Order or invoice document. Seller may make partial shipments and payment for that portion will be due as provided on Seller’s Order or invoice document based on time of shipment. If, at any time or for any reason, Seller has cause to question Buyer’s ability to perform, Seller may demand such assurances of Buyer’s performance as Seller deems necessary in its discretion, including payment in advance for all shipments. In the event (A) Buyer fails within ten (10) calendar days of Seller’s demand to provide Seller with such assurance, or (B) Buyer is declared bankrupt or insolvent or any proceeding is brought against Buyer, voluntarily or involuntarily, under any bankruptcy or insolvency laws, or (C) Buyer fails to make payment for Goods when due, Seller may suspend its performance, cancel any Order then outstanding, receive reimbursement for its reasonable and proper cancellation charges and collect any sums due and owing, its reasonable cancellation charges and all damages resulting from Buyer’s default. Additionally, if Buyer fails to make payment for Goods when due, Buyer’s account will be deemed delinquent and Buyer will be liable to Seller for a service charge of eighteen percent (18%) per annum or the maximum allowed by law, whichever is greater, on any unpaid amount Buyer will be liable to Seller for all costs and expenses of collection, including court costs and reasonable attorneys’ fees. Seller’s prices do not include sales, use, excise or other similar taxes and Buyer agrees to pay the amount of any present or future such tax in addition to the price specified in each Order, unless Buyer, at the time of sale, provides Seller with all tax-exemption certificates required by taxing authorities.

5. **CANCELLATION, CHANGES AND RETURNS.** If Buyer properly requests a cancellation, change or return, Seller may, at its option: (A) charge Buyer for any costs Seller incurred prior to or as a result of such cancellation, change or return; (B) revise its McWane, Inc. Terms and Conditions of Sale - US prices and delivery dates to reflect such change; and/or (C) accept returned Goods for credit if, in Seller’s sole discretion, it finds such Goods to be standard stock and in good condition. The credit will be, in Seller’s sole discretion, either the invoice price less a percentage to be determined by Seller or the scrap value of the Goods, along with shipping and handling charges to be determined by Seller. All returned Goods must be securely packed by Buyer to ensure that returned material is not damaged during shipment.

6. **FORCE MAJEURE; DEFERRED DELIVERY.** Seller will not be liable for any expense, loss or damage resulting from delay in delivery or prevention of performance caused by any event beyond Seller’s reasonable control (“Force Majeure”), including without limitation: fire; flood; storm; act of God; strike, labor dispute or labor shortage; lack of or inability to obtain materials, fuels, supplies or equipment; civil unrest or riot; accident; transportation delay or shortage; act or failure to act of Buyer or any government; or any other cause whatsoever, provided that such cause is beyond Seller’s reasonable control. Seller will have such additional time for performance as may be reasonably necessary under the circumstances and may adjust the price to reflect increases occasioned by Force Majeure. Buyer’s acceptance of any Goods will constitute Buyer’s waiver of any claim for damages on account of any delay in delivery of such Goods. If delivery is delayed or interrupted by Force Majeure, Seller may store the Goods at Buyer’s expense and risk and charge Buyer a reasonable storage rate. If Seller is delayed because it is awaiting Buyer’s approval or acceptance of designs, drawings, prints or engineering or technical data, or is awaiting Buyer’s approval or acceptance of Goods, Seller will be entitled to an adjustment in price equal to any increase in Seller’s production costs and any other losses and expenses incurred by Seller attributable to such delays. If Buyer requests and Seller approves in writing a deferred delivery on any Order, Seller may charge Buyer for the completed portion of the Order and warehouse all completed Goods at Buyer’s expense and risk of loss. As to any uncompleted portion of the Order, Seller may, at its option, cancel said uncompleted portion in accordance with Section 5 above or revise its prices and delivery schedules on the portion not completed to reflect its increased costs and expenses attributable to the delay.

WARRANTY

7. **WARRANTY; PATENTS.** Seller warrants that Goods will be of the kind described in this Agreement and free from defects in material and workmanship under conditions of normal use. Seller reserves the right to make any modifications required by production conditions to information set forth in Seller's catalogues and advertising literature. Seller will not be liable or responsible, however, for (A) any defects attributed to normal wear and tear, erosion or corrosion, improper storage, use or maintenance or use of Goods with incompatible products, or (B) defects in any portion or part of Goods manufactured by others. If (B) above is applicable, Seller will, as an accommodation to Buyer, assign to Buyer any warranties given to it by any such other manufacturers; provided, however, that the foregoing will not extend Seller's warranty to any accessory products unless otherwise agreed to in writing by Seller. All warranties are void if Goods are modified or used in conjunction with products or accessories not manufactured or approved by Seller or which are incompatible with Goods. Any claim by Buyer with reference to Goods for any cause will be deemed waived by Buyer unless submitted to Seller in writing within ten (10) calendar days from the date Buyer discovered, or should have discovered, any claimed breach. Buyer will give Seller an opportunity to investigate. If Buyer furnishes prompt notice to Seller of any defect and an opportunity to inspect the alleged defect as provided herein, Seller will, in its sole discretion, either: (i) repair the defective or non-conforming Goods; (ii) replace nonconforming Goods, or part thereof, which are sent to Seller by Buyer within sixty (60) calendar days after receipt of the Goods at Buyer's plant or storage facilities; or (iii) if Seller is unable or chooses not to repair or replace, return the purchase price paid and cancel any obligation to pay unpaid portions of the purchase price of nonconforming Goods. In no event will any obligation to pay or refund exceed the purchase price actually paid. Repair and/or replacement as provided above will be shipped EXW (Ex-Works) Seller's facility (per Incoterms® 2010) unless otherwise agreed in writing by Seller. Buyer will prepay all transportation charges for return of Goods or part thereof to Seller, unless otherwise agreed in writing by Seller. Seller will not be responsible for any labor, removal or installation charges that may result from the above-described repair and/or replacement of any Goods. This warranty does not cover failure of any part or parts manufactured by others, failure of any part or parts from external forces, including without limitation corrosive soils, earthquake, installation, vandalism, vehicular or other impact, application of excessive torque to the operating mechanism, frost heave or other Force Majeure. Buyer's exclusive remedy and Seller's sole liability for any loss, damage, injury or expense of any kind arising from manufacture, delivery, sale, installation, use or shipment of Goods will be, at Seller's option, the remedies described above, whether based on contract, warranty, tort or any other basis of recovery whatsoever. If any claim is made against Buyer based on a claim that any Goods constitute an infringement of any U.S. Letter Patent, Buyer will notify Seller immediately. Seller may, with Buyer's assistance, if required, but at Seller's expense, conduct settlement negotiations or defense of any litigation. If any Goods are held to infringe any U.S. Letter Patent, and their use is enjoined or, if as a result of a settlement, Seller deems their continued use unadvisable and provided that Buyer has given Seller the immediate notice required above and has used Goods only in accordance with the provisions of this Agreement and has not altered or changed them in any material way, Seller will, at its option and expense, procure for Buyer the right to continue using Goods, modify Goods so that they become non-infringing, replace Goods with non-infringing Goods of substantially equal quality or replace Goods and refund the purchase price, less reasonable depreciation. The above is intended as a complete allocation of risks between the parties, including without limitation liability for patent infringement. Buyer understands that it will not be able to recover consequential damages even though it may suffer such damages in substantial amounts. Because this Agreement and the price paid reflect such allocation, this limitation will not have failed of its essential purpose even if it operates to bar recovery for such consequential damages.

McWane, Inc. Terms and Conditions of Sale - US

8. **LIMITATION OF LIABILITY.** THE WARRANTIES IN SECTION 7 ARE EXCLUSIVE AND IN LIEU OF ALL OTHER WARRANTIES WHETHER EXPRESS OR IMPLIED BY LAW OR STATUTE OR ARISING FROM TRADE USAGE OR COURSE OF DEALING. THERE IS NO IMPLIED WARRANTY OF MERCHANTABILITY OR FITNESS FOR A PARTICULAR PURPOSE. IN NO EVENT, WHETHER AS A RESULT OF BREACH OF CONTRACT, WARRANTY, TORT (INCLUDING NEGLIGENCE) OR STRICT LIABILITY, WILL SELLER BE LIABLE FOR ANY PUNITIVE, SPECIAL, INCIDENTAL OR CONSEQUENTIAL DAMAGES, INCLUDING WITHOUT LIMITATION LOSS OF PROFIT, LOSS OF USE OF GOODS OR OTHER PROPERTY OR EQUIPMENT, DAMAGE TO OTHER PROPERTY, COST OF CAPITAL, COST OF SUBSTITUTE GOODS, DOWNTIME OR CLAIMS OF BUYER'S CUSTOMERS FOR ANY OF THE AFORESAID DAMAGES. SELLER WILL NOT BE LIABLE AND BUYER AGREES TO INDEMNIFY SELLER FOR ALL PERSONAL INJURY, PROPERTY DAMAGE OR OTHER LIABILITY RESULTING IN WHOLE OR IN PART FROM BUYER'S NEGLIGENCE. NO CLAIMS OF ANY NATURE, WHETHER BASED ON CONTRACT, TORT, STRICT LIABILITY OR OTHERWISE MAY BE BROUGHT AGAINST SELLER MORE THAN TWENTY-FOUR (24) MONTHS AFTER DELIVERY OF GOODS TO BUYER. In any contract by Buyer for resale of Goods, Buyer will effectively disclaim, as against Seller, any implied warranty of merchantability and all liability for property damage or personal injury resulting from handling, possession or use of Goods, and will exclude, as against Seller, any liability for special or consequential damages.

9. **CONTROLLING LAW; CONSENT TO VENUE; DISPUTE RESOLUTION.** This Agreement and all rights and obligations hereunder will be governed by, and construed in accordance with, the laws of the State of Alabama, without regard to its conflicts of laws provisions. The United Nations Convention on Contracts for the International Sale of Goods will not apply to this Agreement. All disputes, claims or controversies (individually or collectively, a "Dispute") between Seller and Buyer arising out of or relating to this Agreement, including without limitation Disputes based on or arising from an alleged tort, will be resolved by binding arbitration in accordance with Title 9 of the U.S. Code and the Commercial Arbitration Rules of the American Arbitration Association ("AAA"). Disputes will be arbitrated in Birmingham, Alabama, U.S.A. Defenses based on statutes of limitation and similar doctrines will be applicable in any such proceeding, and commencement of an arbitration proceeding under this Agreement will be deemed commencement of an action for such purposes. The parties will select arbitrators in accordance with the Commercial Arbitration Rules of the AAA. The AAA will designate a panel of ten (10) potential arbitrators knowledgeable in the subject matter of the Dispute. Seller and Buyer will each designate, within thirty (30) calendar days of receipt of the list of potential arbitrators, one of the potential arbitrators to serve, and the two arbitrators so designated will select a third arbitrator from the eight remaining candidates. No Dispute will be arbitrated as a class action, representative or general public action, collective action, private attorney-general action, or otherwise be joined with claims of any other person ("Collective Proceedings"). Accordingly, AAA's Supplementary Rules for Class Arbitrations will not be applicable. If this limitation on Collective Proceedings is held by a court of competent jurisdiction to be unenforceable or interpreted to not prevent a Collective Proceeding, then such action will proceed in a court of law as provided below and not arbitration. If any arbitrator renders a decision regarding the question of arbitrability of the above limitation or orders any form of Collective Proceeding, then the arbitrator has exceeded its powers under the Federal Arbitration Act. Notwithstanding the foregoing, Seller reserves the right to resolve or bring any Dispute in a court of competent jurisdiction in the state or federal courts of Alabama and the parties irrevocably agree that, except when the Dispute is arbitrated, the exclusive venue for all Disputes between the parties will be the state and federal courts of Alabama, to which jurisdiction each party hereby irrevocably submits. Each party waives any objection or defense that it is not personally subject to jurisdiction of the state and federal courts of Alabama; that venue of the action is improper; and that the action, suit or proceeding is brought in an inconvenient forum. In addition to any other mode of service of process authorized by law, each party consents to service of process by registered or certified mail.

10. **COMPLIANCE WITH LAWS.** Each party represents and warrants, in connection with transactions contemplated by this Agreement, and any other agreement contemplated by or entered into pursuant to this Agreement, that it will comply with all applicable federal, state and local laws, codes, regulations, orders and ordinances, including without limitation: (A) all applicable laws and regulations regarding export controls, economic sanctions, trade embargoes and anti-boycott restrictions, and all applicable anti-corruption laws, including but not limited to the U.S. Foreign Corrupt Practices Act (as amended) and the United Kingdom Bribery Act (collectively, "Applicable International Trade and Anti-Corruption Laws"); and (B) all applicable equal opportunity requirements including those set forth in U.S. Executive Order 11246, the U.S. Rehabilitation Act of 1973, as amended, and the U.S. Vietnam Era Veterans Readjustment Assistance Act of 1974, as amended, and regulations promulgated thereunder, and laws prohibiting discrimination against any person because of veteran status, disability, race, creed, color, national origin, religion, age or sex in any term or condition of employment, all of which are incorporated by reference into this Agreement; and (C) all applicable laws and regulations addressing human trafficking and slavery. Each party acknowledges and confirms that it and its officers, directors, employees, agents, contractors, designees and/or any other party acting on its behalf (collectively "Related Parties") are familiar with the provisions of Applicable International Trade and Anti-Corruption Laws. Each party agrees to indemnify, defend and hold harmless the other party and its employees from and against any and all claims, demands, costs, penalties and fines arising in connection with any alleged breach by the indemnifying party or any of its Related Parties of this Section. Seller may terminate this Agreement in its entirety, without liability to Buyer, if Seller believes in good faith that Buyer or any of its Related Parties has violated or intends to violate this Section.

McWane, Inc. Terms and Conditions of Sale - US

11. MISCELLANEOUS.

(A) No waiver of any provision, right or remedy contained in this Agreement, including the terms of this Section 11(A), is binding on or effective against a party unless expressly stated in writing and signed by such party's authorized representative. Each party expressly agrees that no right or remedy provided for in this Agreement can be waived through course of dealing, course of performance or trade usage and that reliance on any waiver without the other party's written consent is unreasonable. Waiver by a party of any breach will be limited to the specific breach so waived and will not be construed as a waiver of any subsequent breach. A party's approval or consent to any action proposed by the other will not be considered an agreement to the propriety, fitness or usefulness of the proposed action, and will not affect the proposing party's obligation to strictly comply with this Agreement and all related Orders.

(B) Buyer may not assign this Agreement or any rights or obligations hereunder without Seller's prior written consent. Any attempted assignment in violation of this Section is void; however, this Agreement and the Terms and Conditions contained herein are enforceable against Buyer's successors and permitted assigns.

(C) Seller's remedies in this Agreement are cumulative and in addition to any other remedies available to Seller, whether at law, equity or otherwise.

(D) If any provision or part of a provision contained in this Agreement is held by a court of competent jurisdiction to be contrary to law or public policy, the remaining provisions of the Agreement will remain in full force and effect.

(E) No provision of this Agreement may be construed against either party as the drafting party.