



KENNEDY VALVE

Division of McWane, Inc.
1021 EAST WATER STREET ELMIRA, NEW YORK 14901

3-12" RDGV
METAL-SEATED
ROTATING DISC
GATE VALVES

KENNEDY VALVE AWWA C500 Metal-Seated Gate Valves Meet or Exceed the Requirements of AWWA Standard C500

Size Range	Water Working Pressure (psi)	Seat Test Pressure (psi)	Hydrostatic Shell Test Pressure (psi)
*AWWA 3"-108"	250 Water Works	250	500

*Contact Kennedy Valve for sizes larger than 48".

Valves available in either NRS (non-rising stem) or OS&Y (outside screw & yoke).

(NRS) Available End Connections - 3"-108"

Flanged (Class 125)
Flanged (Class 250)
Mechanical Joint
FL x MJ

(OS&Y) Available End Connections - 3"-108"

Flanged (Class 125)
Flanged (Class 250)

Accessories Available

Handwheels	Floorstands
2" Square Operating Nuts	Extended Bonnets
Chainwheels	Extension Stems
	Stem Guides



Certified to
NSF/ANSI 61-G
NSF/ANSI 372



KENNEDY VALVE

Division of McWane, Inc.
1021 EAST WATER STREET ELMIRA, NEW YORK 14901

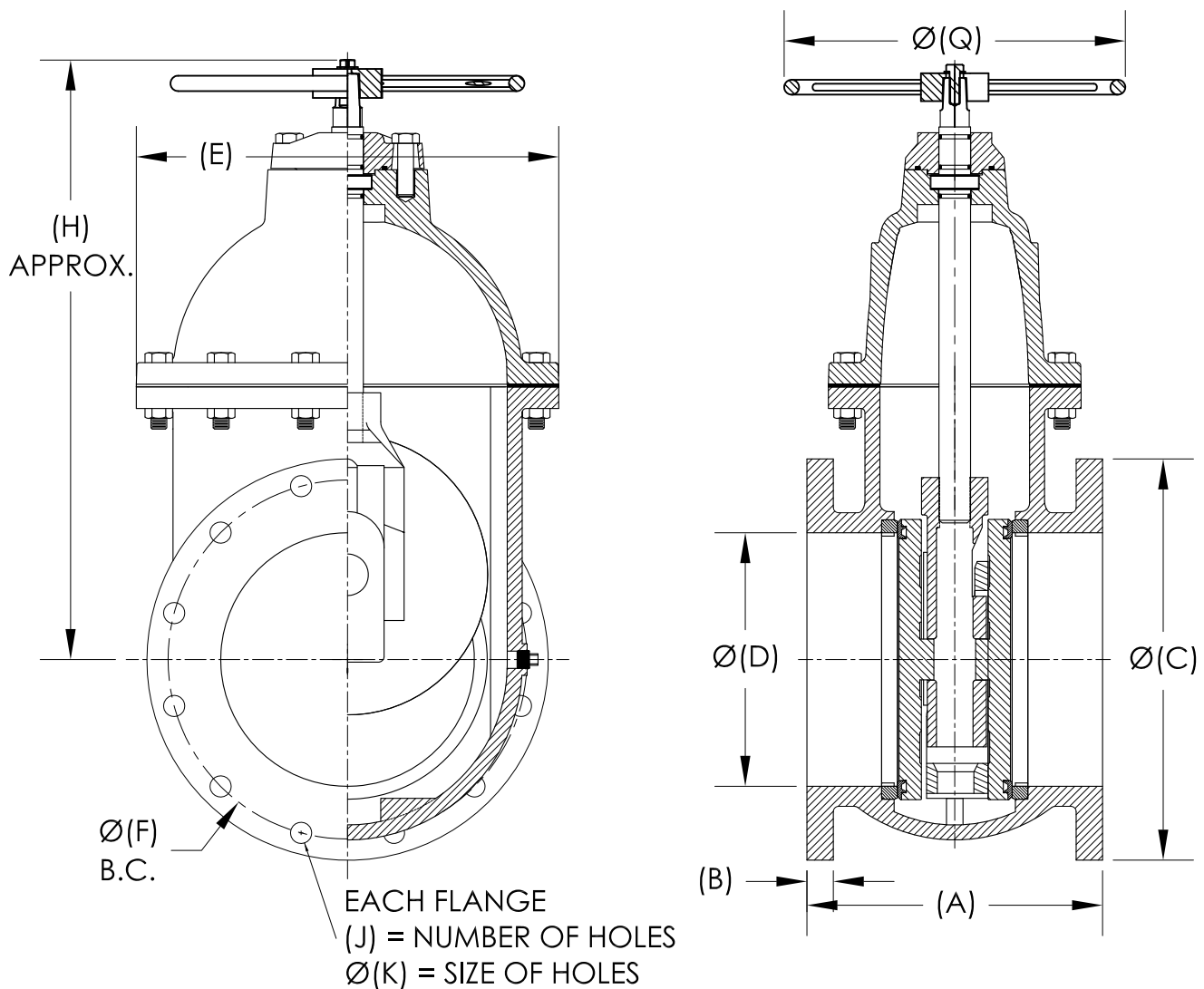
3-12" RDGV METAL-SEATED ROTATING DISC GATE VALVES

Links to Catalog Sections

3-12"	NRS	FL x FL (Class 125)
		FL x FL (Class 250)
		MJ x MJ
		FL X MJ
	OS&Y	FL x FL (Class 125)
		FL x FL (Class 250)



Certified to
NSF/ANSI 61-G
NSF/ANSI 372



NOTE: 12" VALVE SHOWN

SIZE Ø(D)	(A)	(B)	Ø(C)	(E)	Ø(F)	(H)	-	(J)	Ø(K)	-	-	-	Ø(Q)	# OF TURNS*	APPROX. WEIGHT
3.00	8.00	0.75	7.50	8.35	6.00	13.40	-	4	3/4	-	-	-	10.00	11	75
4.00	9.00	0.94	9.00	9.44	7.50	15.00	-	8	3/4	-	-	-	10.00	14	114
6.00	10.50	1.00	11.00	11.89	9.50	18.50	-	8	7/8	-	-	-	12.00	20	267
8.00	11.50	1.13	13.50	14.33	11.75	21.90	-	8	7/8	-	-	-	14.00	26	304
10.00	13.00	1.19	16.00	17.32	14.25	25.50	-	12	1.00	-	-	-	18.00	33	453
12.00	14.00	1.25	19.00	20.00	17.00	28.70	-	12	1.00	-	-	-	18.00	39	658

* ± 2% TURNS AT VALVE STEM.

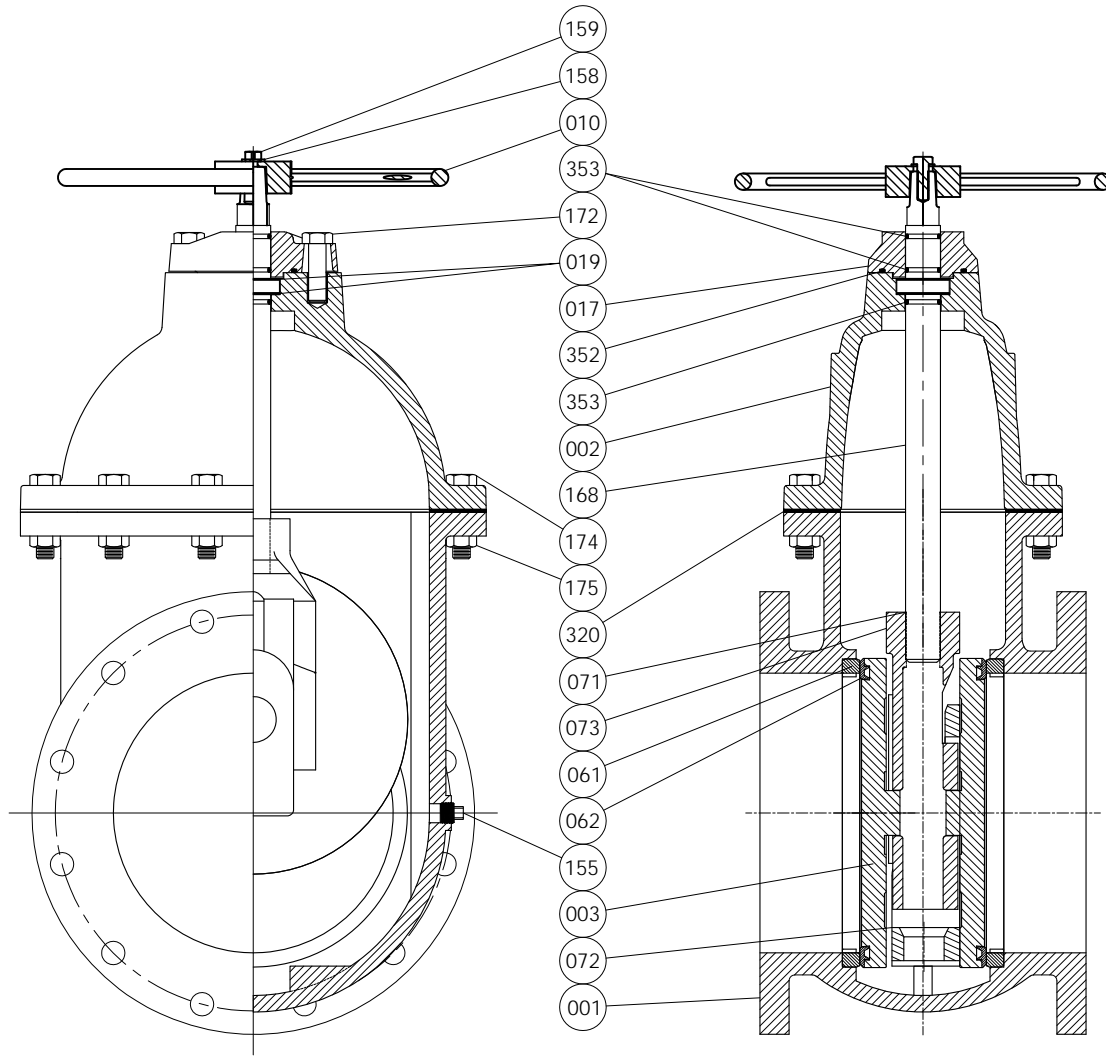


KENNEDY VALVE
 Division of McWane, Inc.
 1021 EAST WATER STREET ELMIRA, NEW YORK 14901

DWN: D SKAKAL
 DATE: 6/5/17
 DWG. NO.
 CAT910C10001-01

TITLE:
SERIES 50 - ROTATING DISC GATE VALVE
3" - 12" - NRS - O-RING
FL x FL - CL125 - HW - GD

THIS DRAWING AND ALL INFORMATION IS KENNEDY VALVE PROPERTY AND SHALL NOT BE USED, COPIED, OR REPRODUCED WITHOUT WRITTEN CONSENT. DESIGN AND INVENTION RIGHTS RESERVED.



NO.	DESCRIPTION	MATERIAL	ASTM DESIGNATION
001	BODY	DUCTILE IRON	A536 GRADE 65-45-12/ 70-50-05
002	BONNET	DUCTILE IRON	A536 GRADE 65-45-12/ 70-50-05
003	DISC	DUCTILE IRON	A536 GRADE 65-45-12/ 70-50-05
010	HANDWHEEL	CAST IRON	A126 CLASS B
017	SEAL PLATE	DUCTILE IRON	A536 GRADE 65-45-12/ 70-50-05
019	THRUST BEARING	DELRIN	D6778
061	BODY SEAT RING	BRONZE	B148 C95400
062	DISC SEAT RING (3")	BRONZE	B148 C95400
062	DISC SEAT RING (4-12")	BRONZE	B584 C89833
071	STEM NUT	BRONZE	B505 C95400
072	LOWER WEDGE	DUCTILE IRON	A536 GRADE 65-45-12/ 70-50-05
073	UPPER WEDGE	DUCTILE IRON	A536 GRADE 65-45-12/ 70-50-05
155	PIPE PLUG (STANDARD)	STAINLESS STEEL	TYPE 304
155	PIPE PLUG (OPTION)	STAINLESS STEEL	TYPE 316
158	HANDWHEEL WASHER	STAINLESS STEEL	F593 S30400

NO.	DESCRIPTION	MATERIAL	ASTM DESIGNATION
159	HANDWHEEL HOLD DOWN BOLT	STAINLESS STEEL	F593 S30400
168	STEM (STANDARD)	BRONZE	B584 C86700
	STEM (OPTION)	BRONZE	B763 C99500
	STEM (OPTION)	STAINLESS STEEL	A276 S30400
	STEM (OPTION)	STAINLESS STEEL	A276 S31600
172	SEAL PLATE BOLT (STANDARD)	STAINLESS STEEL	F593 S30400
	SEAL PLATE BOLT (OPTION)	STAINLESS STEEL	F593 S31600
174	BONNET HEX BOLT (STANDARD)	STAINLESS STEEL	F593 S30400
	BONNET HEX BOLT (OPTION)	STAINLESS STEEL	F593 S31600
175	BONNET HEX NUT (STANDARD)	STAINLESS STEEL	F594 S30400
	BONNET HEX NUT (OPTION)	STAINLESS STEEL	F594 S31600
320	BONNET GASKET	GARLOCK BLUE-GUARD 3200	F104
352	SEAL PLATE O-RING	RUBBER (BUNA-N)	D2000
353	STEM O-RING	RUBBER (BUNA-N)	D2000



KENNEDY VALVE
Division of McWane, Inc.
1021 EAST WATER STREET ELMIRA, NEW YORK 14901

DWN: D SKAKAL

DATE: 6/5/17

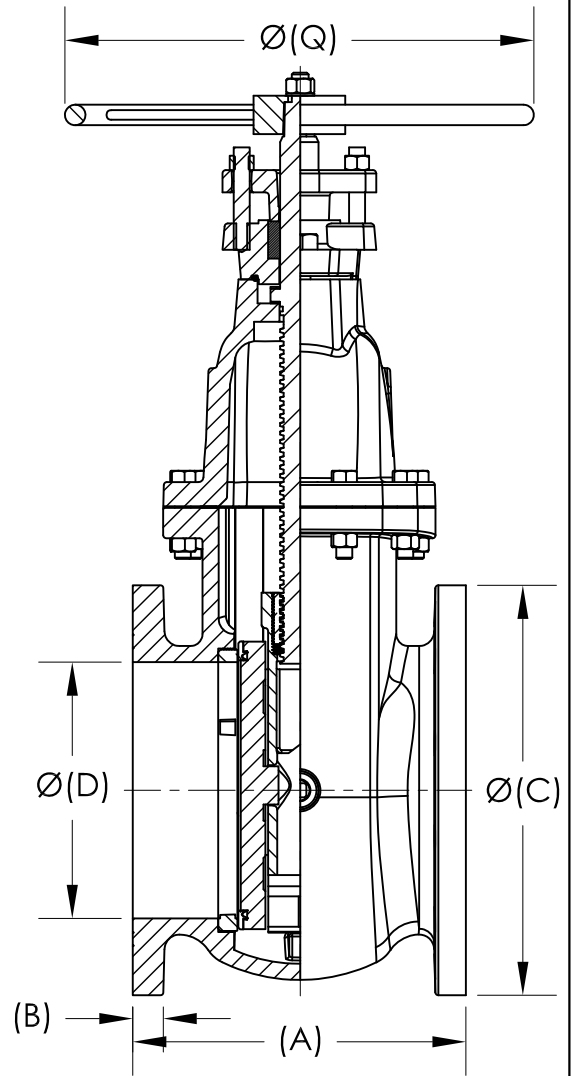
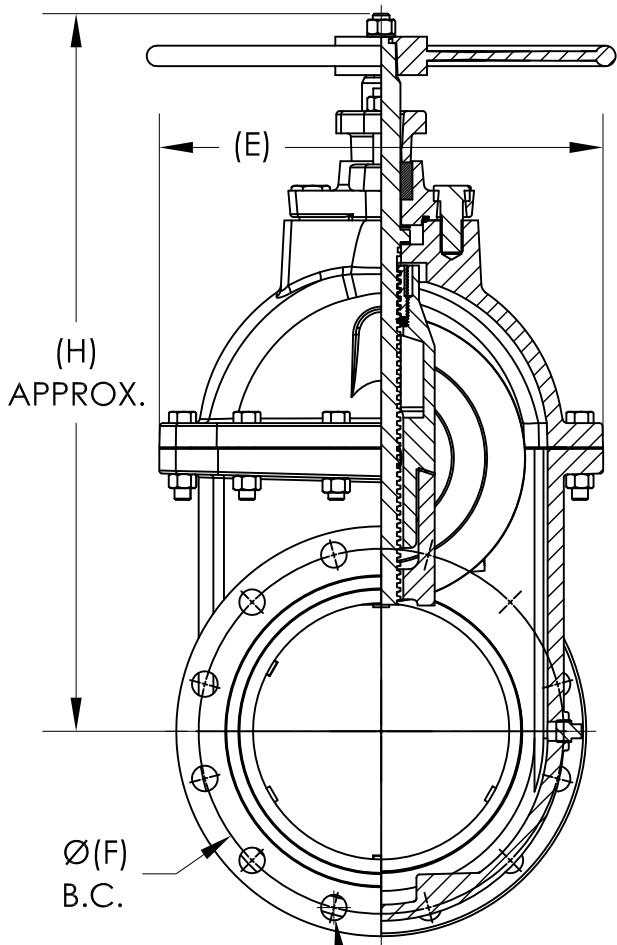
DWG. NO.

CAT910C10002-02

TITLE:

**SERIES 50 - ROTATING DISC GATE VALVE
3" - 12" - NRS - O-RING
FL x FL - CL125 - HW - PL**

THIS DRAWING AND ALL INFORMATION IS KENNEDY VALVE PROPERTY AND SHALL NOT BE USED, COPIED, OR REPRODUCED WITHOUT WRITTEN CONSENT. DESIGN AND INVENTION RIGHTS RESERVED.



EACH FLANGE
 (J) = NUMBER OF HOLES
 Ø(K) = SIZE OF HOLES

NOTE: 12" VALVE SHOWN

SIZE Ø(D)	(A)	(B)	Ø(C)	(E)	Ø(F)	(H)	-	(J)	Ø(K)	-	-	-	Ø(Q)	# OF TURNS*	APPROX. WEIGHT
3.00	8.00	0.75	7.50	8.35	6.00	15.20	-	4	3/4	-	-	-	10.00	11	86
4.00	9.00	0.94	9.00	9.44	7.50	16.8	-	8	3/4	-	-	-	10.00	14	129
6.00	10.50	1.00	11.00	11.89	9.50	20.1	-	8	7/8	-	-	-	12.00	20	306
8.00	11.50	1.13	13.50	14.33	11.75	23.8	-	8	7/8	-	-	-	14.00	26	336
10.00	13.00	1.19	16.00	17.32	14.25	27.9	-	12	1.00	-	-	-	18.00	33	524
12.00	14.00	1.25	19.00	20.00	17.00	31.80	-	12	1.00	-	-	-	18.00	39	772

* ± 2% TURNS AT VALVE STEM.

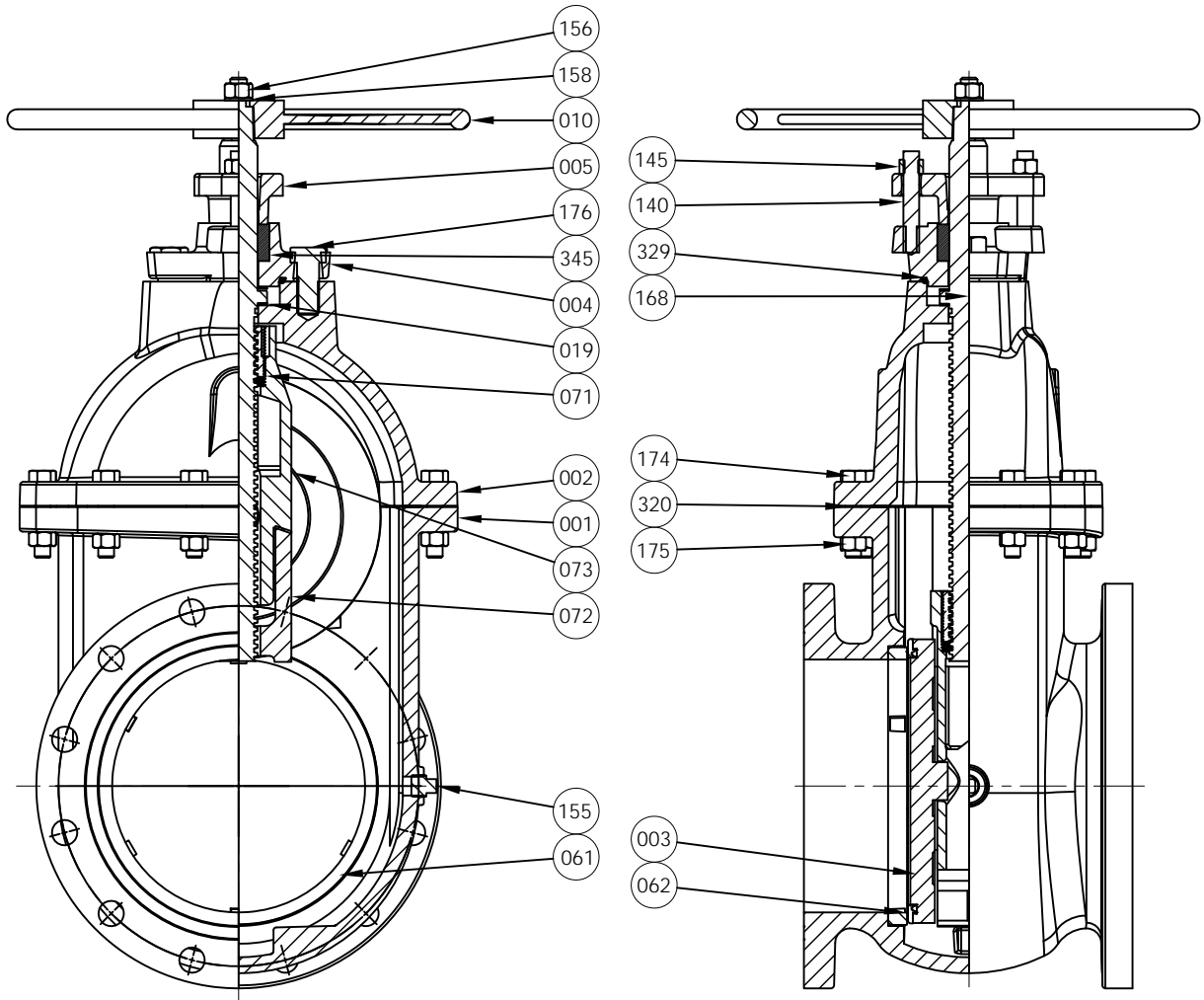


KENNEDY VALVE
 Division of McWane, Inc.
 1021 EAST WATER STREET ELMIRA, NEW YORK 14901

DWN: D SKAKAL
 DATE: 5/26/17
 DWG. NO.
 CAT910C10003-01

TITLE:
SERIES 50 - ROTATING DISC GATE VALVE
 3" - 12" - NRS - PACKING
 FL x FL - CL125 - HW - GD

THIS DRAWING AND ALL INFORMATION IS KENNEDY VALVE PROPERTY AND SHALL NOT BE USED, COPIED, OR REPRODUCED WITHOUT WRITTEN CONSENT. DESIGN AND INVENTION RIGHTS RESERVED.



NO.	DESCRIPTION	MATERIAL	ASTM DESIGNATION
001	BODY	DUCTILE IRON	A536 GRADE 65-45-12
002	BONNET	DUCTILE IRON	A536 GRADE 65-45-12
003	DISC	DUCTILE IRON	A536 GRADE 65-45-12
004	PACKING BOX	DUCTILE IRON	A536 GRADE 65-45-12
005	PACKING GLAND	DUCTILE IRON	A536 GRADE 65-45-12
010	HANDWHEEL	CAST IRON	A126 CLASS B
019	THRUST BEARING	PLASTIC	DELRIN
061	BODY SEAT RING	BRONZE	B148 C95400
062	DISC SEAT RING (3")	BRONZE	B62 C83600
	DISC SEAT RING (4"-12")	BRONZE	B148 C95400
071	STEM NUT	BRONZE	B505 C95400
072	LOWER WEDGE	DUCTILE IRON	A536 GRADE 65-45-12
073	UPPER WEDGE	DUCTILE IRON	A536 GRADE 65-45-12
140	GLAND BOLT (STANDARD)	STAINLESS STEEL	F593 S30400
	GLAND BOLT (OPTION)	STAINLESS STEEL	F593 S31600
145	GLAND HEX NUT	BRASS	B124 C36500

NO.	DESCRIPTION	MATERIAL	ASTM DESIGNATION
155	PIPE PLUG (STANDARD)	STAINLESS STEEL	TYPE 304
	PIPE PLUG (OPTION)	STAINLESS STEEL	TYPE 316
156	HEX NUT (STANDARD)	STAINLESS STEEL	F593 S30400
	HEX NUT (OPTION)	STAINLESS STEEL	F593 S31600
158	HANDWHEEL WASHER (STANDARD)	STAINLESS STEEL	TYPE 304
	HANDWHEEL WASHER (OPTION)	STAINLESS STEEL	TYPE 316
168	STEM (STANDARD)	STAINLESS STEEL	A276 S30400
	STEM (OPTION)	STAINLESS STEEL	A276 S31600
174	BONNET HEX BOLT (STANDARD)	STAINLESS STEEL	F593 S30400
	BONNET HEX BOLT (OPTION)	STAINLESS STEEL	F593 S31600
175	BONNET HEX NUT (STANDARD)	STAINLESS STEEL	F594 S30400
	BONNET HEX NUT (OPTION)	STAINLESS STEEL	F594 S31600
176	PACKING BOX HEX BOLT	STAINLESS STEEL	F593 S30400
320	BONNET GASKET	GARLOCK	#3200
329	O-RING	RUBBER (BUNA)	D2000
345	PACKING	GARLOCK	STYLE 18



KENNEDY VALVE
 Division of McWane, Inc.
 1021 EAST WATER STREET ELMIRA, NEW YORK 14901

DWN: D SKAKAL

DATE: 5/26/17

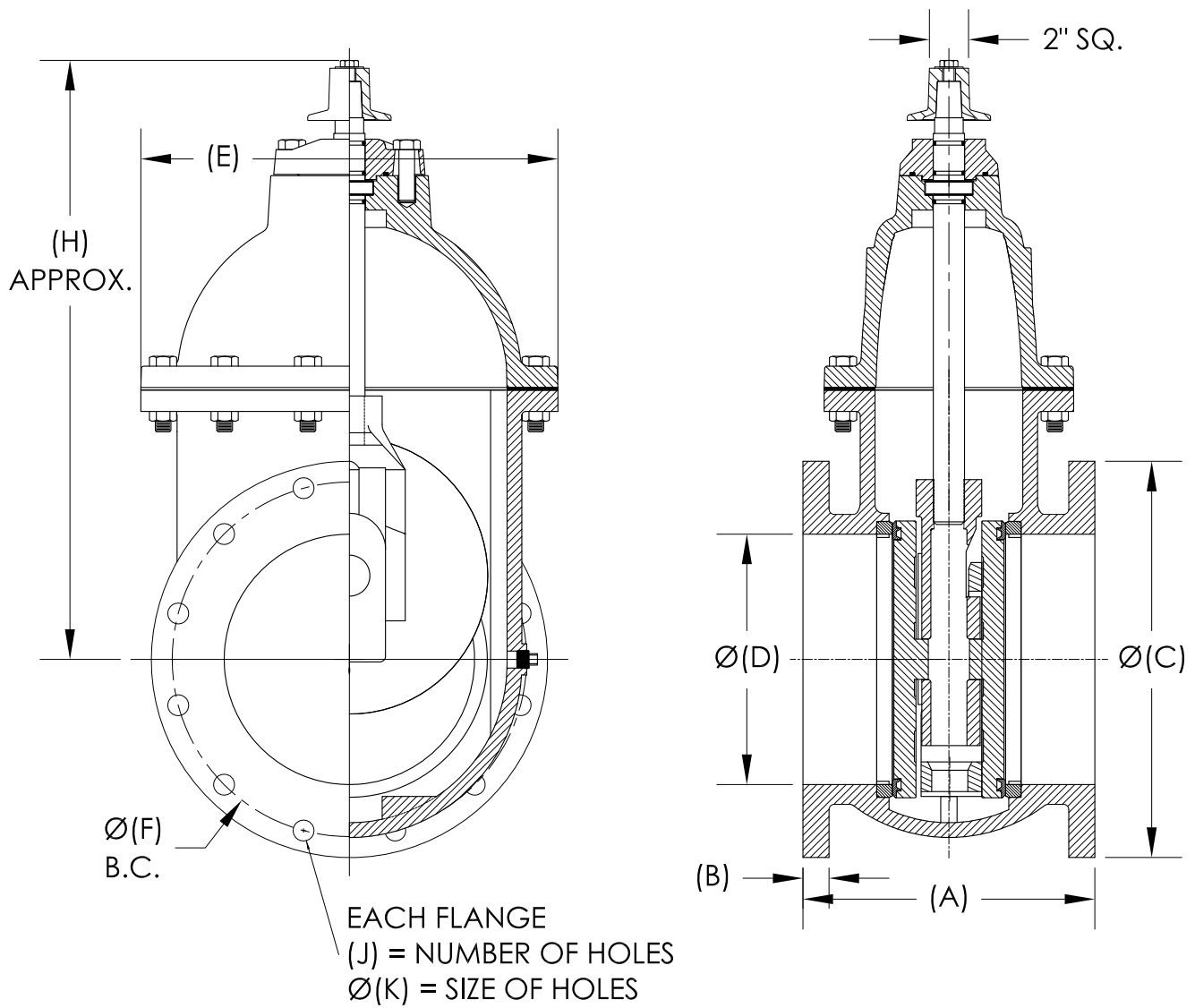
DWG. NO.

CAT910C10004-02

TITLE:

**SERIES 50 - ROTATING DISC GATE VALVE
 3" - 12" - NRS - PACKING
 FL x FL - CL125 - HW - PL**

THIS DRAWING AND ALL INFORMATION IS KENNEDY VALVE PROPERTY AND SHALL NOT BE USED, COPIED, OR REPRODUCED WITHOUT WRITTEN CONSENT. DESIGN AND INVENTION RIGHTS RESERVED.



NOTE: 12" VALVE SHOWN

SIZE Ø(D)	(A)	(B)	Ø(C)	(E)	Ø(F)	(H)	-	(J)	Ø(K)	-	-	-	-	# OF TURNS*	APPROX. WEIGHT
3.00	8.00	0.75	7.50	8.35	6.00	13.40	-	4	3/4	-	-	-	-	11	75
4.00	9.00	0.94	9.00	9.44	7.50	15.00	-	8	3/4	-	-	-	-	14	114
6.00	10.50	1.00	11.00	11.89	9.50	18.50	-	8	7/8	-	-	-	-	20	267
8.00	11.50	1.13	13.50	14.33	11.75	21.90	-	8	7/8	-	-	-	-	26	304
10.00	13.00	1.19	16.00	17.32	14.25	25.50	-	12	1.00	-	-	-	-	33	453
12.00	14.00	1.25	19.00	20.00	17.00	28.70	-	12	1.00	-	-	-	-	39	658

* ± 2% TURNS AT VALVE STEM.

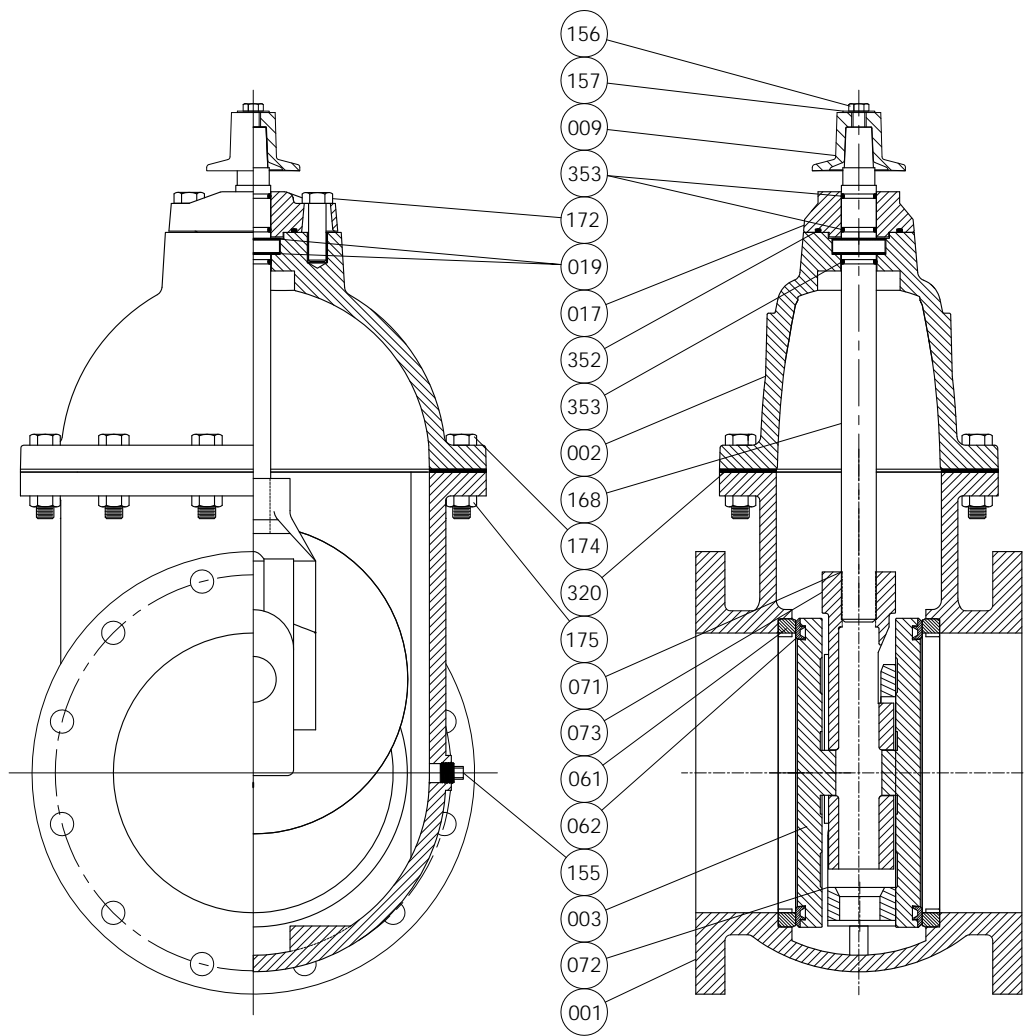


KENNEDY VALVE
Division of McWane, Inc.
1021 EAST WATER STREET ELMIRA, NEW YORK 14901

DWN: D SKAKAL
DATE: 5/25/17
DWG. NO.
CAT910C10005-01

TITLE:
SERIES 50 - ROTATING DISC GATE VALVE
3" - 12" - NRS - O-RING
FL x FL - CL125 - 2" OP. NUT - GD

THIS DRAWING AND ALL INFORMATION IS KENNEDY VALVE PROPERTY AND SHALL NOT BE USED, COPIED, OR REPRODUCED WITHOUT WRITTEN CONSENT. DESIGN AND INVENTION RIGHTS RESERVED.



NO.	DESCRIPTION	MATERIAL	ASTM DESIGNATION
001	BODY	DUCTILE IRON	A536 GRADE 65-45-12/ 70-50-05
002	BONNET	DUCTILE IRON	A536 GRADE 65-45-12/ 70-50-05
003	DISC	DUCTILE IRON	A536 GRADE 65-45-12/ 70-50-05
009	2" SQ. OP. NUT	GRAY IRON	A126 CLASS B
017	SEAL PLATE	DUCTILE IRON	A536 GRADE 65-45-12/ 70-50-05
019	THRUST BEARING	DELTRIN	D6778
061	BODY SEAT RING	BRONZE	B148 C95400
062	DISC SEAT RING (3")	BRONZE	B148 C95400
	DISC SEAT RING (4"-12")	BRONZE	B584 C89833
071	STEM NUT	BRONZE	B505 C95400
072	LOWER WEDGE	DUCTILE IRON	A536 GRADE 65-45-12/ 70-50-05
073	UPPER WEDGE	DUCTILE IRON	A536 GRADE 65-45-12/ 70-50-05
155	PIPE PLUG (STANDARD)	STAINLESS STEEL	TYPE 304
	PIPE PLUG (OPTION)	STAINLESS STEEL	TYPE 316
156	OP. NUT HEX NUT (STANDARD)	STAINLESS STEEL	F593 S30400
	OP. NUT HEX NUT (OPTION)	STAINLESS STEEL	F593 S31600

NO.	DESCRIPTION	MATERIAL	ASTM DESIGNATION
157	OP. NUT WASHER (STANDARD)	STAINLESS STEEL	TYPE 304
	OP. NUT WASHER (OPTION)	STAINLESS STEEL	TYPE 316
168	STEM (STANDARD)	BRONZE	B584 C86700
	STEM (OPTION)	BRONZE	B763 C99500
	STEM (OPTION)	STAINLESS STEEL	A276 S30400
	STEM (OPTION)	STAINLESS STEEL	A276 S31600
172	SEAL PLATE BOLT (STANDARD)	STAINLESS STEEL	F593 S30400
	SEAL PLATE BOLT (OPTION)	STAINLESS STEEL	F593 S31600
174	BONNET HEX BOLT (STANDARD)	STAINLESS STEEL	F593 S30400
	BONNET HEX BOLT (OPTION)	STAINLESS STEEL	F593 S31600
175	BONNET HEX NUT (STANDARD)	STAINLESS STEEL	F594 S30400
	BONNET HEX NUT (OPTION)	STAINLESS STEEL	F594 S31600
320	BONNET GASKET	GARLOCK BLUE-GUARD 3200	F104
352	SEAL PLATE O-RING	RUBBER (BUNA-N)	D2000
353	STEM O-RING	RUBBER (BUNA-N)	D2000



KENNEDY VALVE
 Division of McWane, Inc.
 1021 EAST WATER STREET ELMIRA, NEW YORK 14901

DWN: D SKAKAL

DATE: 5/25/17

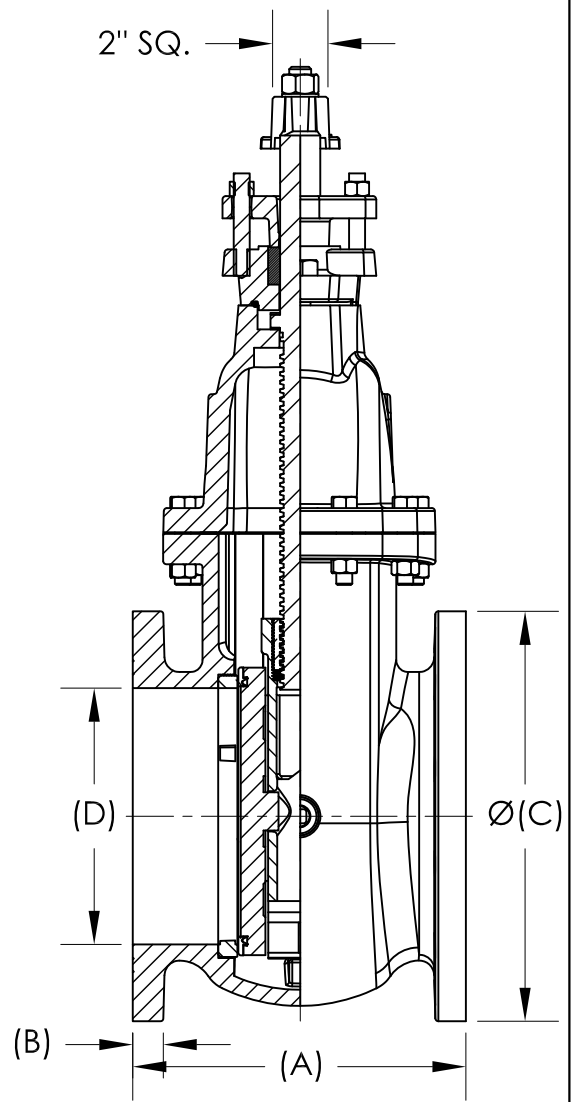
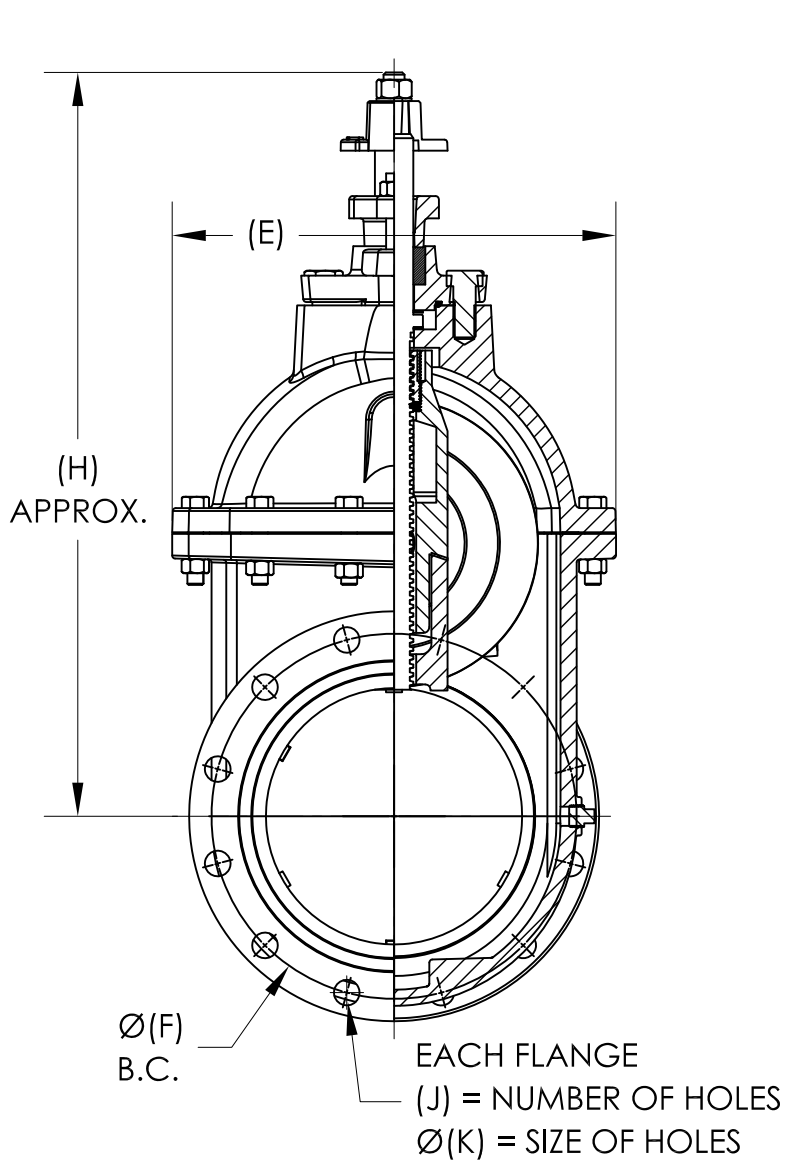
DWG. NO.

CAT910C10006-02

TITLE:

SERIES 50 - ROTATING DISC GATE VALVE
3" - 12" - NRS - O-RING
FL x FL - CL125 - 2" OP. NUT - PL

THIS DRAWING AND ALL INFORMATION IS KENNEDY VALVE PROPERTY AND SHALL NOT BE USED, COPIED, OR REPRODUCED WITHOUT WRITTEN CONSENT. DESIGN AND INVENTION RIGHTS RESERVED.



NOTE: 12" VALVE SHOWN

SIZE Ø(D)	(A)	(B)	Ø(C)	(E)	Ø(F)	(H)	-	-	(J)	Ø(K)	-	-	-	# OF TURNS*	APPROX. WEIGHT
3.00	8.00	0.75	7.50	8.35	6.00	15.20	-	-	4	3/4	-	-	-	11	86
4.00	9.00	0.94	9.00	9.44	7.50	16.80	-	-	8	3/4	-	-	-	14	129
6.00	10.50	1.00	11.00	11.89	9.50	20.10	-	-	8	7/8	-	-	-	20	306
8.00	11.50	1.13	13.50	14.33	11.75	23.80	-	-	8	7/8	-	-	-	26	336
10.00	13.00	1.19	16.00	17.32	14.25	27.90	-	-	12	1.00	-	-	-	33	524
12.00	14.00	1.25	19.00	20.00	17.00	31.80	-	-	12	1.00	-	-	-	39	772

* ± 2% TURNS AT VALVE STEM.

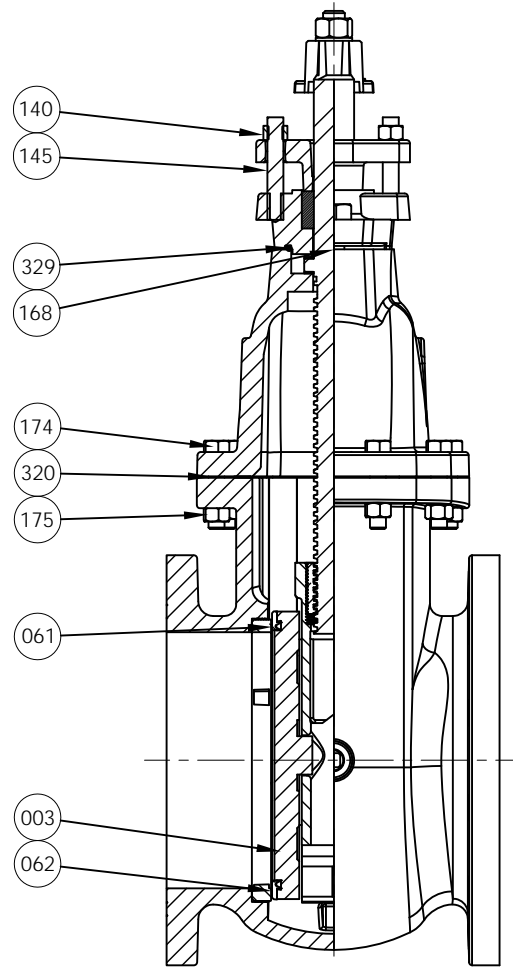
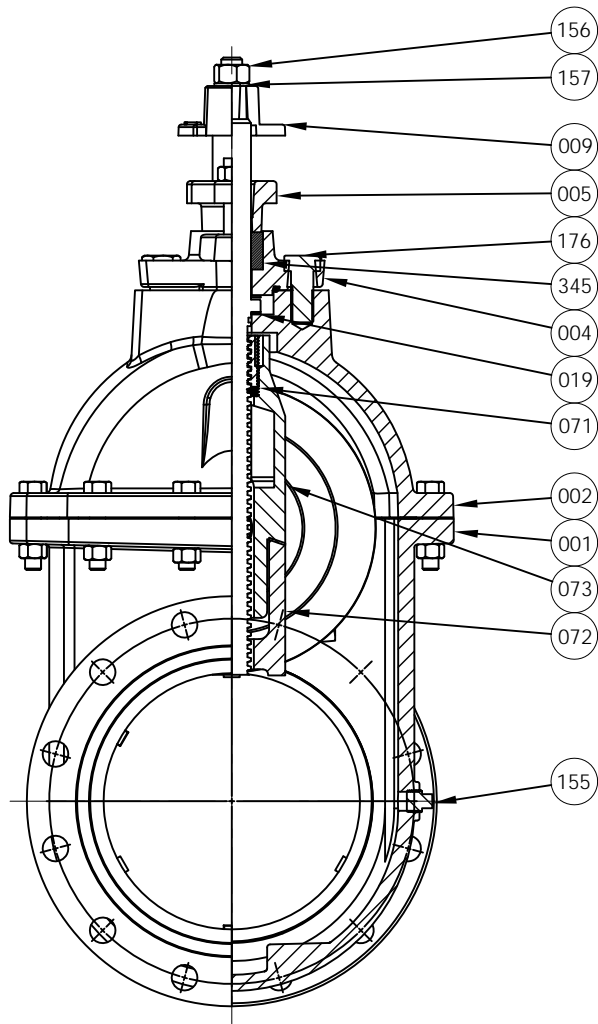


KENNEDY VALVE
Division of McWane, Inc.
1021 EAST WATER STREET ELMIRA, NEW YORK 14901

DWN: D SKAKAL
DATE: 6/5/17
DWG. NO.
CAT910C10007-01

TITLE:
SERIES 50 - ROTATING DISC GATE VALVE
3" - 12" - NRS - PACKING
FL x FL - CL125 - 2" OP. NUT - GD

THIS DRAWING AND ALL INFORMATION IS KENNEDY VALVE PROPERTY AND SHALL NOT BE USED, COPIED, OR REPRODUCED WITHOUT WRITTEN CONSENT. DESIGN AND INVENTION RIGHTS RESERVED.



NO.	DESCRIPTION	MATERIAL	ASTM DESIGNATION
001	BODY	DUCTILE IRON	A536 GRADE 65-45-12
002	BONNET	DUCTILE IRON	A536 GRADE 65-45-12
003	DISC	DUCTILE IRON	A536 GRADE 65-45-12
004	PACKING BOX	DUCTILE IRON	A536 GRADE 65-45-12
005	PACKING GLAND	DUCTILE IRON	A536 GRADE 65-45-12
009	2" SQ. OP. NUT	GRAY IRON	A126 CLASS B
019	THRUST BEARING	PLASTIC	DELTRIN
061	BODY SEAT RING	BRONZE	B148 C95400
062	DISC SEAT RING (3")	BRONZE	B62 C83600
	DISC SEAT RING (4"-12")	BRONZE	B148 C95400
071	STEM NUT	BRONZE	B505 C95400
072	LOWER WEDGE	DUCTILE IRON	A536 GRADE 65-45-12
073	UPPER WEDGE	DUCTILE IRON	A536 GRADE 65-45-12
140	GLAND BOLT (STANDARD)	STAINLESS STEEL	F593 S30400
	GLAND BOLT (OPTION)	STAINLESS STEEL	F593 S31600
145	GLAND HEX NUT	BRASS	B124 C36500

NO.	DESCRIPTION	MATERIAL	ASTM DESIGNATION
155	PIPE PLUG (STANDARD)	STAINLESS STEEL	TYPE 304
	PIPE PLUG (OPTION)	STAINLESS STEEL	TYPE 316
156	OP. NUT HEX NUT (STANDARD)	STAINLESS STEEL	F593 S30400
	OP. NUT HEX NUT (OPTION)	STAINLESS STEEL	F593 S31600
157	OP. NUT WASHER (STANDARD)	STAINLESS STEEL	TYPE 304
	OP. NUT WASHER (OPTION)	STAINLESS STEEL	TYPE 316
168	STEM (STANDARD)	STAINLESS STEEL	A276 S30400
	STEM (OPTION)	STAINLESS STEEL	A276 S31600
174	BONNET HEX BOLT (STANDARD)	STAINLESS STEEL	F593 S30400
	BONNET HEX BOLT (OPTION)	STAINLESS STEEL	F593 S31600
175	BONNET HEX NUT (STANDARD)	STAINLESS STEEL	F594 S30400
	BONNET HEX NUT (OPTION)	STAINLESS STEEL	F594 S31600
176	PACKING BOX HEX BOLT	STAINLESS STEEL	F593 S30400
320	BONNET GASKET	GARLOCK	#3200
329	O-RING	RUBBER (BUNA)	D2000
345	PACKING	GARLOCK	STYLE 18



KENNEDY VALVE
 Division of McWane, Inc.
 1021 EAST WATER STREET ELMIRA, NEW YORK 14901

DWN: D SKAKAL

DATE: 6/5/17

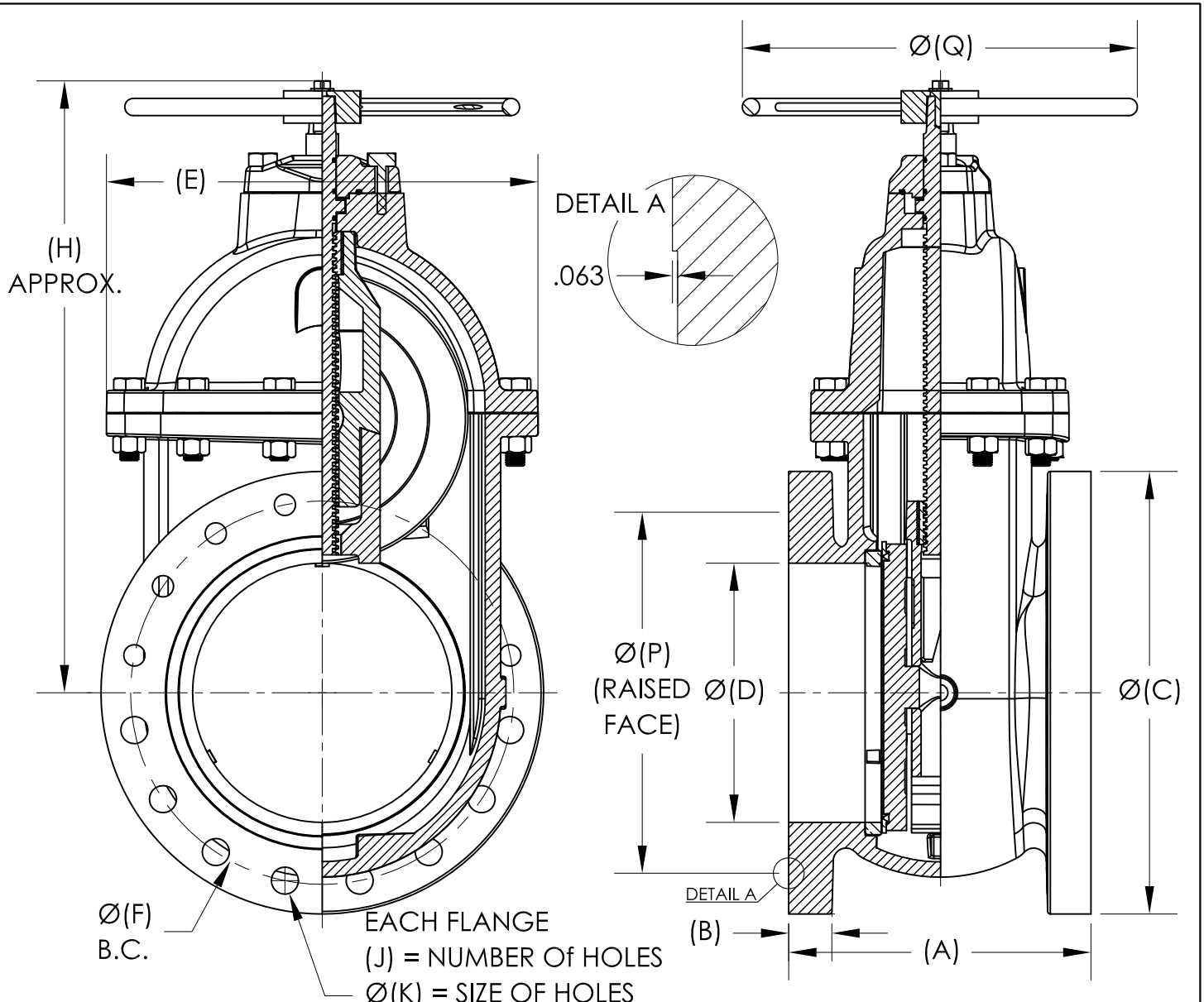
DWG. NO.

CAT910C10008-02

TITLE:

**SERIES 50 - ROTATING DISC GATE VALVE
 3" - 12" - NRS - PACKING
 FL x FL - CL125 - 2" OP. NUT - PL**

THIS DRAWING AND ALL INFORMATION IS KENNEDY VALVE PROPERTY AND SHALL NOT BE USED, COPIED, OR REPRODUCED WITHOUT WRITTEN CONSENT. DESIGN AND INVENTION RIGHTS RESERVED.



NOTE: 12" VALVE SHOWN

Ø(M) = SIZE OF TAPPED HOLES

RAISED FACE
PER ASME B16.1

SIZE Ø(D)	(A)	(B)	Ø(C)	(E)	Ø(F)	(H)	-	(J)	Ø(K)	(L)	Ø(M)	Ø(P)	Ø(Q)	# OF TURNS*	APPROX. WEIGHT
3.00	8.00	1.13	8.25	8.35	6.63	13.40	-	6	7/8	2	3/4 - 10	5.69	10.00	11	75
4.00	9.00	1.25	10.00	9.44	7.88	15.00	-	6	7/8	2	3/4 - 10	6.94	10.00	14	114
6.00	10.50	1.44	12.50	11.89	10.63	18.50	-	10	7/8	2	3/4 - 10	9.69	12.00	20	267
8.00	11.50	1.63	15.00	14.33	13.00	21.90	-	10	1.00	2	7/8 - 9	11.94	14.00	26	304
10.00	13.00	1.88	17.50	17.32	15.25	25.50	-	12	1 1/8	4	1.00 - 8	14.06	18.00	33	453
12.00	14.00	2.00	20.50	20.00	17.75	28.70	-	12	1 1/4	4	1 1/8 - 7	16.44	18.00	39	658

* ± 2% TURNS AT VALVE STEM.

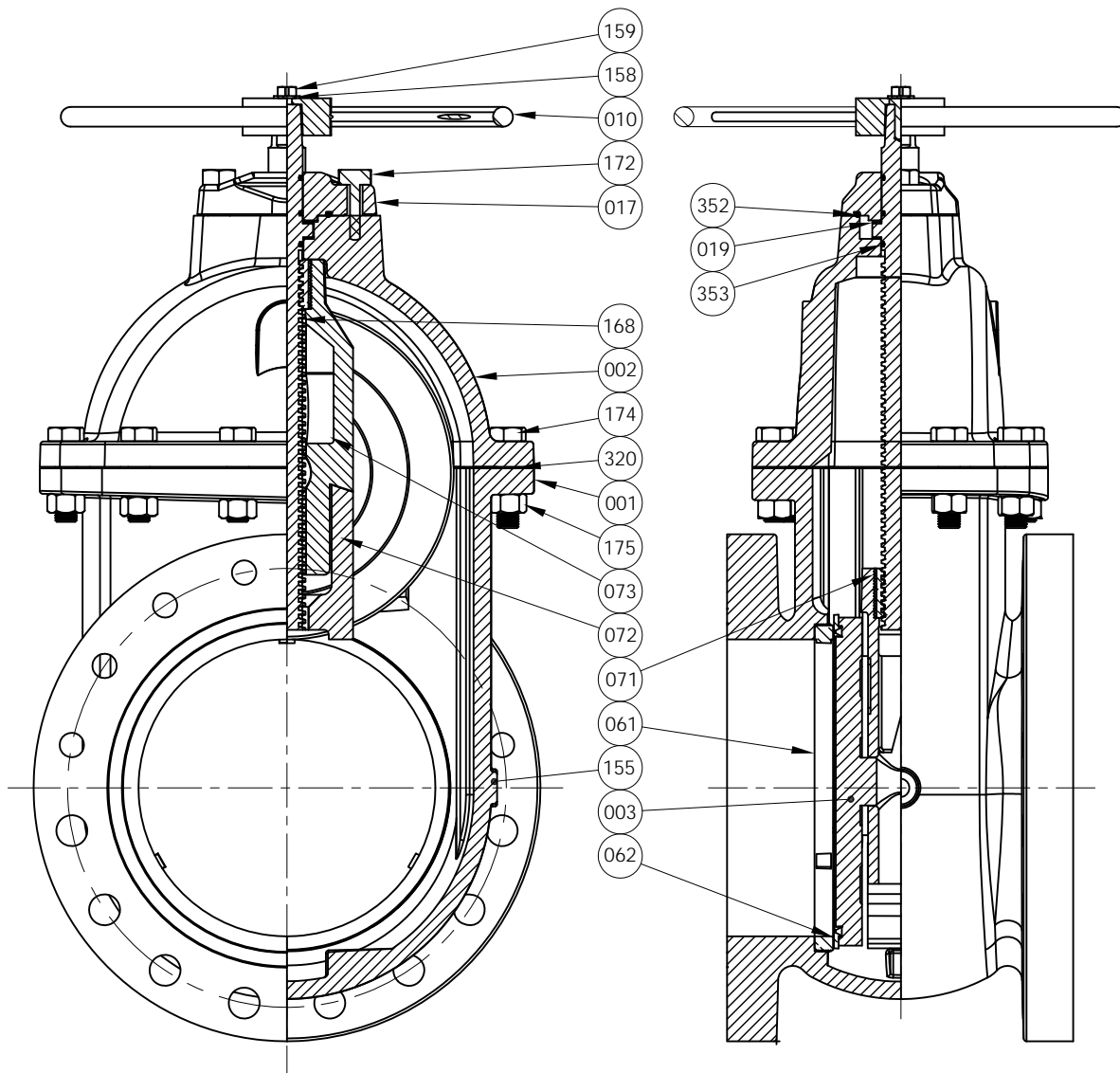


KENNEDY VALVE
Division of McWane, Inc.
1021 EAST WATER STREET ELMIRA, NEW YORK 14901

DWN: D SKAKAL
DATE: 5/31/17
DWG. NO.
CAT910C10013-01

TITLE:
SERIES 40 - ROTATING DISC GATE VALVE
3" - 12" - NRS - O-RING
FL x FL - CL250 - HW - GD

THIS DRAWING AND ALL INFORMATION IS KENNEDY VALVE PROPERTY AND SHALL NOT BE USED, COPIED, OR REPRODUCED WITHOUT WRITTEN CONSENT. DESIGN AND INVENTION RIGHTS RESERVED.



NO.	DESCRIPTION	MATERIAL	ASTM DESIGNATION
001	BODY	DUCTILE IRON	A536 GRADE 65-45-12/ 70-50-05
002	BONNET	DUCTILE IRON	A536 GRADE 65-45-12/ 70-50-05
003	DISC	DUCTILE IRON	A536 GRADE 65-45-12/ 70-50-05
010	HANDWHEEL	DUCTILE IRON	A536 GRADE 65-45-12/ 70-50-05
017	SEAL PLATE	DUCTILE IRON	A536 GRADE 65-45-12/ 70-50-05
019	THRUST BEARING	DELTRIN	-
061	BODY SEAT RING	BRONZE	B584 C86200
062	DISC SEAT RING (3")	BRONZE	B148 C95400
	DISC SEAT RING (4"-12")	BRONZE	B584 C89833
071	STEM NUT	BRONZE	B505 C95400
072	LOWER WEDGE	DUCTILE IRON	A536 GRADE 65-45-12/ 70-50-05
073	UPPER WEDGE	DUCTILE IRON	A536 GRADE 65-45-12/ 70-50-05
155	PIPE PLUG	STAINLESS STEEL	304SS
158	HANDWHEEL WASHER	STAINLESS STEEL	F593 S30400

NO.	DESCRIPTION	MATERIAL	ASTM DESIGNATION
159	HANDWHEEL HOLD DOWN BOLT	STAINLESS STEEL	F593 S30400
168	STEM (STANDARD)	BRONZE	B584 C86700
	STEM (OPTION)	BRONZE	B763 C99500
	STEM (OPTION)	STAINLESS STEEL	A276 S30400
	STEM (OPTION)	STAINLESS STEEL	A276 S31600
172	SEAL PLATE BOLT (STANDARD)	STAINLESS STEEL	F593 S30400
	SEAL PLATE BOLT (OPTION)	STAINLESS STEEL	F593 S31600
174	BONNET HEX BOLT (STANDARD)	STAINLESS STEEL	F593 S30400
	BONNET HEX BOLT (OPTION)	STAINLESS STEEL	F593 S31600
175	BONNET HEX NUT (STANDARD)	STAINLESS STEEL	F594 S30400
	BONNET HEX NUT (OPTION)	STAINLESS STEEL	F594 S31600
320	BONNET GASKET	GARLOCK	STYLE 18
352	SEAL PLATE O-RING	RUBBER [BUNA]	D2000
353	STEM O-RING	RUBBER [BUNA]	D2000



KENNEDY VALVE
 Division of McWane, Inc.
 1021 EAST WATER STREET ELMIRA, NEW YORK 14901

DWN: D SKAKAL

DATE: 5/31/17

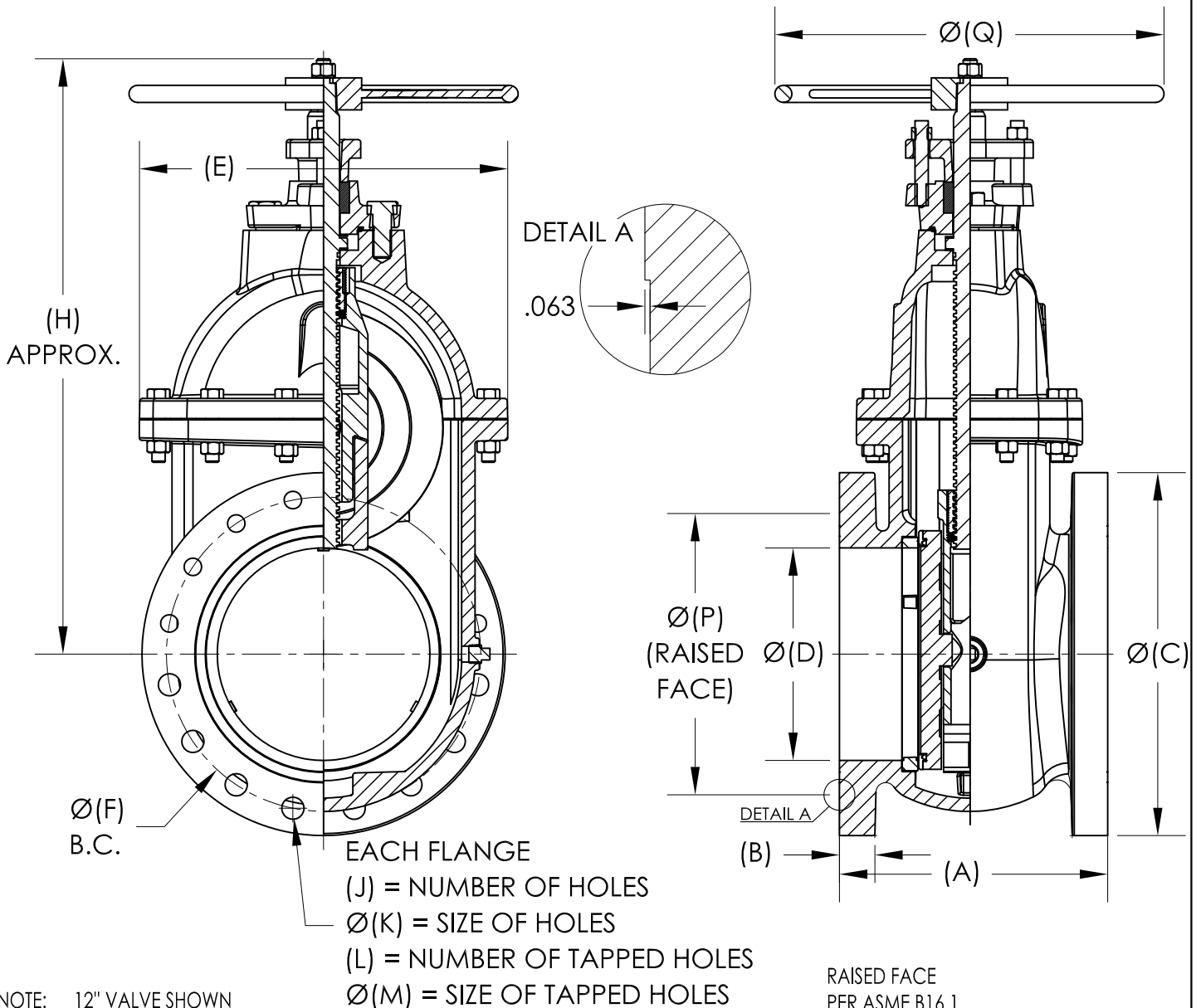
DWG. NO.

CAT910C10014-02

TITLE:

SERIES 40 - ROTATING DISC GATE VALVE
3" - 12" - NRS - O-RING
FL x FL - CL250 - HW - PL


THIS DRAWING AND ALL INFORMATION IS KENNEDY VALVE PROPERTY AND SHALL NOT BE USED, COPIED, OR REPRODUCED WITHOUT WRITTEN CONSENT. DESIGN AND INVENTION RIGHTS RESERVED.



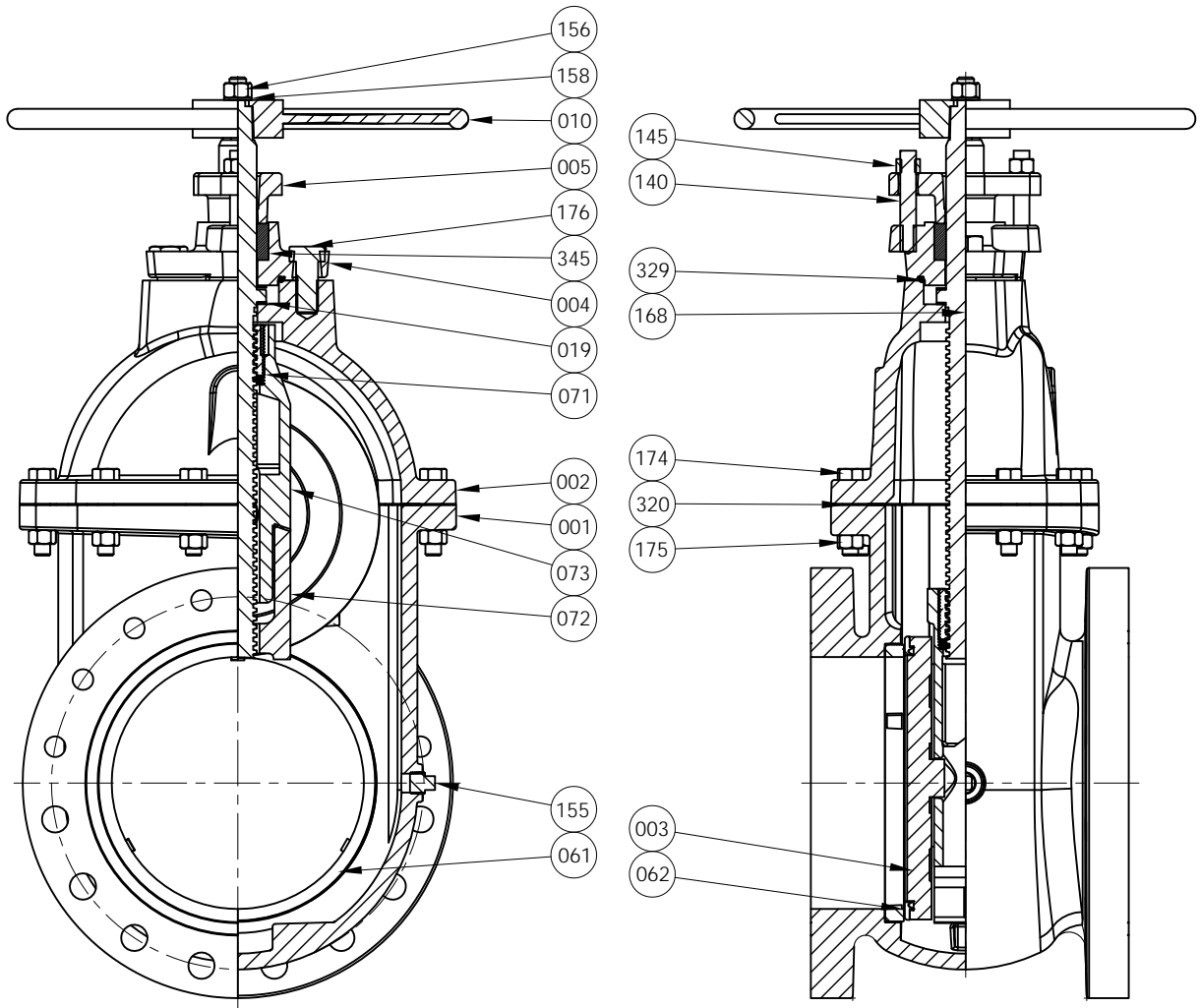
NOTE: 12" VALVE SHOWN

SIZE Ø(D)	(A)	(B)	Ø(C)	(E)	Ø(F)	(H)	-	(J)	Ø(K)	(L)	Ø(M)	Ø(P)	Ø(Q)	# OF TURNS*	APPROX. WEIGHT
3.00	8.00	0.75	8.25	8.35	6.00	15.20	-	6	7/8	2	3/4 - 10	5.69	10.00	11	86
4.00	9.00	0.94	10.00	9.44	7.50	16.80	-	6	7/8	2	3/4 - 10	6.94	10.00	14	129
6.00	10.50	1.00	12.50	11.89	9.50	20.10	-	10	7/8	2	3/4 - 10	9.69	12.00	20	306
8.00	11.50	1.13	15.00	14.33	11.75	23.80	-	10	1.00	2	7/8 - 9	11.94	14.00	26	336
10.00	13.00	1.19	17.50	17.32	14.25	27.90	-	12	1 1/8	4	1.00 - 8	14.06	18.00	33	524
12.00	14.00	1.25	20.50	20.00	17.00	31.80	-	12	1 1/4	4	1 1/8 - 7	16.44	18.00	39	772

* ± 2% TURNS AT VALVE STEM.

 KENNEDY VALVE Division of McWane, Inc. 1021 EAST WATER STREET ELMIRA, NEW YORK 14901	DWN: D SKAKAL	TITLE: SERIES 40 - ROTATING DISC GATE VALVE 3" - 12" - NRS - PACKING FL x FL - CL250 - HW - GD
	DATE: 6/6/17	
	DWG. NO. CAT910C10015-01	

THIS DRAWING AND ALL INFORMATION IS KENNEDY VALVE PROPERTY AND SHALL NOT BE USED, COPIED, OR REPRODUCED WITHOUT WRITTEN CONSENT. DESIGN AND INVENTION RIGHTS RESERVED.



NO.	DESCRIPTION	MATERIAL	ASTM DESIGNATION
001	BODY	DUCTILE IRON	A536 GRADE 65-45-12
002	BONNET	DUCTILE IRON	A536 GRADE 65-45-12
003	DISC	DUCTILE IRON	A536 GRADE 65-45-12
004	PACKING BOX	DUCTILE IRON	A536 GRADE 65-45-12
005	GLAND	DUCTILE IRON	A536 GRADE 65-45-12
010	HANDWHEEL	CAST IRON	A126 CLASS B
019	THRUST WASHER	PLASTIC	DELRIN
061	BODY SEAT RING	BRONZE	B148 C95400
062	DISC SEAT RING (3")	BRONZE	B62 C83600
	DISC SEAT RING (4"-12")	BRONZE	B148 C95400 (3" ONLY)
071	STEM NUT	BRONZE	B505 C95400
072	LOWER WEDGE	DUCTILE IRON	A536 GRADE 65-45-12
073	UPPER WEDGE	DUCTILE IRON	A536 GRADE 65-45-12
140	GLAND BOLT (STANDARD)	STAINLESS STEEL	F593 S30400
	GLAND BOLT (OPTION)	STAINLESS STEEL	F593 S31600
145	GLAND HEX NUT	BRASS	B124 C36500

NO.	DESCRIPTION	MATERIAL	ASTM DESIGNATION
155	PIPE PLUG (STANDARD)	STAINLESS STEEL	F593 S30400
	PIPE PLUG (OPTION)	STAINLESS STEEL	F593 S31600
156	HEX NUT (STANDARD)	STAINLESS STEEL	F593 S30400
	HEX NUT (OPTION)	STAINLESS STEEL	F593 S31600
158	HANDWHEEL WASHER (STANDARD)	STAINLESS STEEL	F593 S30400
	HANDWHEEL WASHER (OPTION)	STAINLESS STEEL	F593 S31600
168	STEM (STANDARD)	STAINLESS STEEL	A276 S30400
	STEM (OPTION)	STAINLESS STEEL	A276 S31600
174	BONNET HEX BOLT (STANDARD)	STAINLESS STEEL	F593 S30400
	BONNET HEX BOLT (OPTION)	STAINLESS STEEL	F593 S31600
175	BONNET HEX NUT (STANDARD)	STAINLESS STEEL	F594 S30400
	BONNET HEX NUT (OPTION)	STAINLESS STEEL	F594 S31600
176	PACKING BOX HEX BOLT	STAINLESS STEEL	F593 S30400
320	BONNET GASKET	GARLOCK	#3200
329	O-RING	RUBBER (BUNA)	D2000
345	PACKING	GARLOCK	STYLE 18



KENNEDY VALVE
Division of McWane, Inc.
1021 EAST WATER STREET ELMIRA, NEW YORK 14901

DWN: D SKAKAL

DATE: 6/6/17

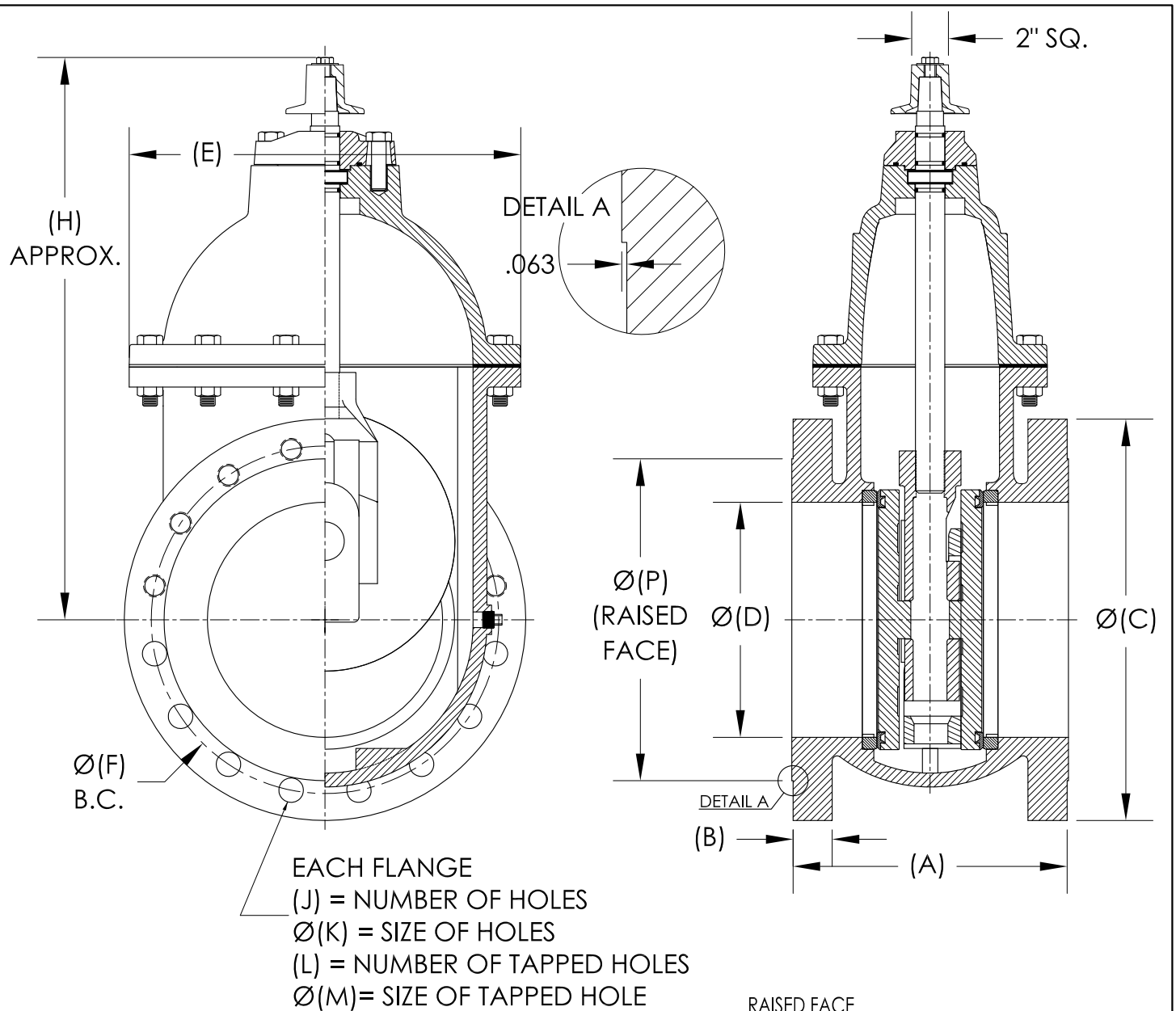
DWG. NO.

CAT910C10016-02

TITLE:

**SERIES 40 - ROTATING DISC GATE VALVE
3" - 12" - NRS - PACKING
FL x FL - CL250 - HW - PL**


THIS DRAWING AND ALL INFORMATION IS KENNEDY VALVE PROPERTY AND SHALL NOT BE USED, COPIED, OR REPRODUCED WITHOUT WRITTEN CONSENT. DESIGN AND INVENTION RIGHTS RESERVED.



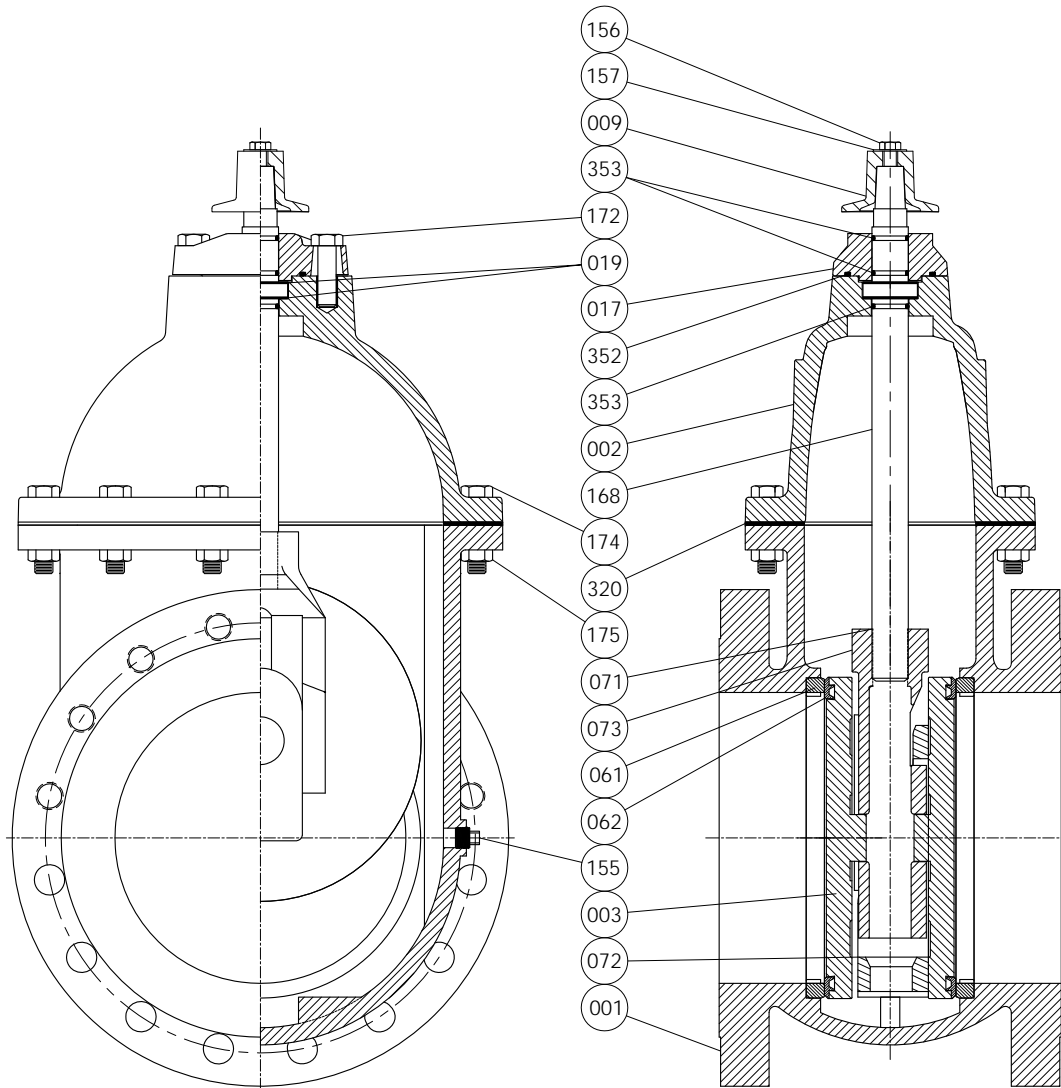
NOTE: 12" VALVE SHOWN

SIZE Ø(D)	(A)	(B)	Ø(C)	(E)	Ø(F)	(H)	-	(J)	Ø(K)	(L)	Ø(M)	Ø(P)	-	# OF TURNS*	APPROX. WEIGHT
3.00	8.00	1.13	8.25	8.35	6.63	13.40	-	6	7/8	2	3/4 - 10	5.69	-	11	75
4.00	9.00	1.25	10.00	9.44	7.88	15.00	-	6	7/8	2	3/4 - 10	6.94	-	14	114
6.00	10.50	1.44	12.50	11.89	10.63	18.50	-	10	7/8	2	3/4 - 10	9.69	-	20	267
8.00	11.50	1.63	15.00	14.33	13.00	21.90	-	10	1.00	2	7/8 - 9	11.94	-	26	304
10.00	13.00	1.88	17.50	17.32	15.25	25.50	-	12	1 1/8	4	1.00 - 8	14.06	-	33	453
12.00	14.00	2.00	20.50	20.00	17.75	28.70	-	12	1 1/4	4	1 1/8 - 7	16.44	-	39	658

* ± 2% TURNS AT VALVE STEM.

 KENNEDY VALVE Division of McWane, Inc. 1021 EAST WATER STREET ELMIRA, NEW YORK 14901	DWN: D SKAKAL	TITLE: SERIES 40 - ROTATING DISC GATE VALVE 3" - 12" - NRS - O-RING FL x FL - CL250 - 2" OP. NUT - GD
	DATE: 5/26/17	
	DWG. NO. CAT910C10017-01	

THIS DRAWING AND ALL INFORMATION IS KENNEDY VALVE PROPERTY AND SHALL NOT BE USED, COPIED, OR REPRODUCED WITHOUT WRITTEN CONSENT. DESIGN AND INVENTION RIGHTS RESERVED.



NO.	DESCRIPTION	MATERIAL	ASTM DESIGNATION
001	BODY	DUCTILE IRON	A536 GRADE 65-45-12/ 70-50-05
002	BONNET	DUCTILE IRON	A536 GRADE 65-45-12/ 70-50-05
003	DISC	DUCTILE IRON	A536 GRADE 65-45-12/ 70-50-05
009	2" SQ. OP. NUT	GRAY IRON	A126 CLASS B
017	SEAL PLATE	DUCTILE IRON	A536 GRADE 65-45-12/ 70-50-05
019	THRUST BEARING	DELFIN	D6778
061	BODY SEAT RING	BRONZE	B148 C95400
062	DISC SEAT RING (3")	BRONZE	B148 C95400
	DISC SEAT RING (4"-12")	BRONZE	B584 C89833
071	STEM NUT	BRONZE	B505 C95400
072	LOWER WEDGE	DUCTILE IRON	A536 GRADE 65-45-12/ 70-50-05
073	UPPER WEDGE	DUCTILE IRON	A536 GRADE 65-45-12/ 70-50-05
	PIPE PLUG (STANDARD)	STAINLESS STEEL	TYPE 304
	PIPE PLUG (OPTION)	STAINLESS STEEL	TYPE 316
	OPERATING NUT (STANDARD)	STAINLESS STEEL	F593 S30400
	OPERATING NUT (OPTION)	STAINLESS STEEL	F593 S31600

NO.	DESCRIPTION	MATERIAL	ASTM DESIGNATION
	OP. NUT WASHER (STANDARD)	STAINLESS STEEL	TYPE 304
	OP. NUT WASHER (OPTION)	STAINLESS STEEL	TYPE 316
	STEM (STANDARD)	BRONZE	B584 C86700
	STEM (OPTION)	BRONZE	B763 C99500
	STEM (OPTION)	STAINLESS STEEL	A276 S30400
	STEM (OPTION)	STAINLESS STEEL	A276 S31600
	SEAL PLATE BOLT (STANDARD)	STAINLESS STEEL	F593 S30400
	SEAL PLATE BOLT (OPTION)	STAINLESS STEEL	F593 S31600
	BONNET HEX BOLT (STANDARD)	STAINLESS STEEL	F593 S30400
	BONNET HEX BOLT (OPTION)	STAINLESS STEEL	F593 S31600
	BONNET HEX NUT (STANDARD)	STAINLESS STEEL	F594 S30400
	BONNET HEX NUT (OPTION)	STAINLESS STEEL	F594 S31600
	BONNET GASKET	GARLOCK BLUE-GUARD 3200	F104
	SEAL PLATE O-RING	RUBBER (BUNA-N)	D2000
	STEM O-RING	RUBBER (BUNA-N)	D2000



KENNEDY VALVE
 Division of McWane, Inc.
 1021 EAST WATER STREET ELMIRA, NEW YORK 14901

DWN: D SKAKAL

DATE: 5/26/17

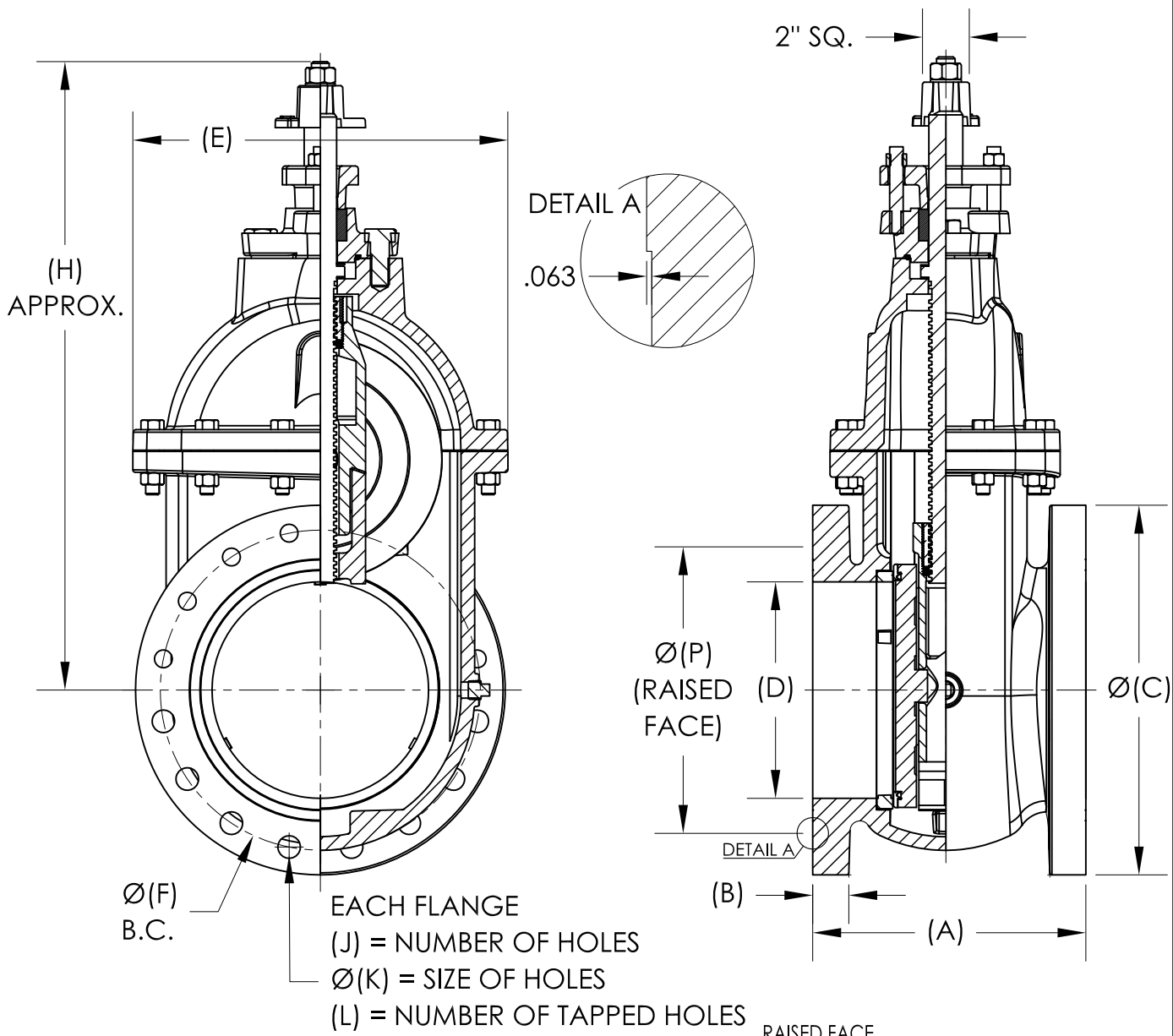
DWG. NO.

CAT910C10018-02

TITLE:

SERIES 40 - ROTATING DISC GATE VALVE
3" - 12" - NRS - O-RING
FL x FL - CL250 - 2" OP. NUT - PL

THIS DRAWING AND ALL INFORMATION IS KENNEDY VALVE PROPERTY AND SHALL NOT BE USED, COPIED, OR REPRODUCED WITHOUT WRITTEN CONSENT. DESIGN AND INVENTION RIGHTS RESERVED.



NOTE: 12" VALVE SHOWN

SIZE Ø(D)	(A)	(B)	Ø(C)	(E)	Ø(F)	(H)	-	(J)	Ø(K)	(L)	Ø(M)	Ø(P)	-	# OF TURNS*	APPROX. WEIGHT
3.00	8.00	1.13	8.25	8.35	6.63	15.20	-	6	7/8	2	3/4 - 10	5.69	-	11	86
4.00	9.00	1.25	10.00	9.44	7.88	16.80	-	6	7/8	2	3/4 - 10	6.94	-	14	129
6.00	10.50	1.44	12.50	11.89	10.63	20.10	-	10	7/8	2	3/4 - 10	9.69	-	20	306
8.00	11.50	1.63	15.00	14.33	13.00	23.80	-	10	1.00	2	7/8 - 9	11.94	-	26	336
10.00	13.00	1.88	17.50	17.32	15.25	27.90	-	12	1 1/8	4	1.00 - 8	14.06	-	33	524
12.00	14.00	2.00	20.50	20.00	17.75	31.80	-	12	1 1/4	4	1 1/8 - 7	16.44	-	39	772

* ± 2% TURNS AT VALVE STEM.

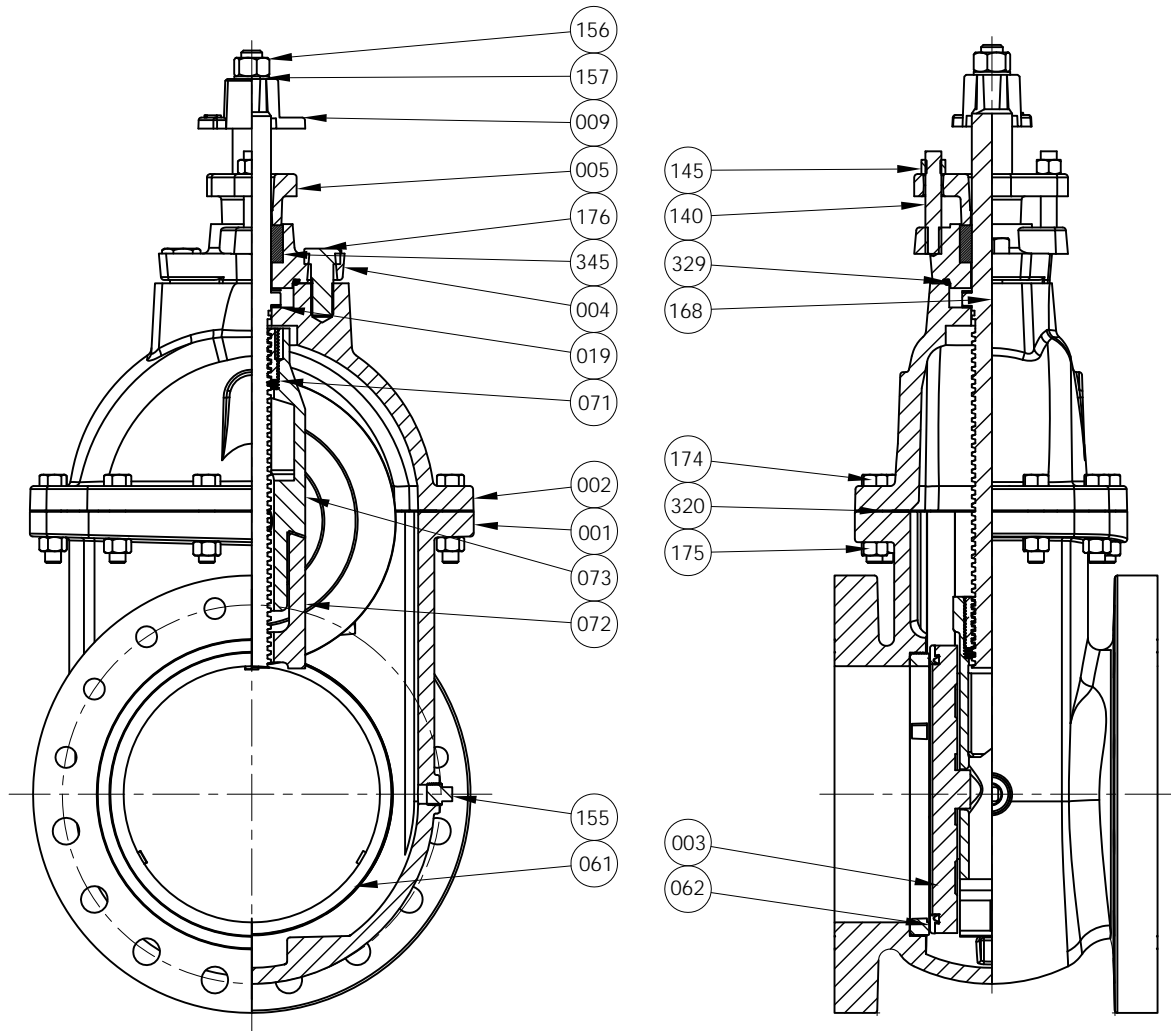


KENNEDY VALVE
Division of McWane, Inc.
1021 EAST WATER STREET ELMIRA, NEW YORK 14901

DWN: D SKAKAL
DATE: 6/6/17
DWG. NO.
CAT910C10019-01

TITLE:
SERIES 40 - ROTATING DISC GATE VALVE
3" - 12" - NRS - PACKING
FL x FL - CL250 - 2" OP. NUT - GD

THIS DRAWING AND ALL INFORMATION IS KENNEDY VALVE PROPERTY AND SHALL NOT BE USED, COPIED, OR REPRODUCED WITHOUT WRITTEN CONSENT. DESIGN AND INVENTION RIGHTS RESERVED.



NO.	DESCRIPTION	MATERIAL	ASTM DESIGNATION
001	BODY	DUCTILE IRON	A536 GRADE 65-45-12
002	BONNET	DUCTILE IRON	A536 GRADE 65-45-12
003	DISC	DUCTILE IRON	A536 GRADE 65-45-12
004	PACKING BOX	DUCTILE IRON	A536 GRADE 65-45-12
005	PACKING GLAND	DUCTILE IRON	A536 GRADE 65-45-12
009	2" SQ. OP. NUT	GRAY IRON	A126 CLASS B
019	THRUST BEARING	PLASTIC	DELRIN
061	BODY SEAT RING	BRONZE	B148 C95400
062	DISC SEAT RING (3")	BRONZE	B62 C83600
062	DISC SEAT RING (4"-12")	BRONZE	B148 C95400
071	STEM NUT	BRONZE	B505 C95400
072	LOWER WEDGE	DUCTILE IRON	A536 GRADE 65-45-12
073	UPPER WEDGE	DUCTILE IRON	A536 GRADE 65-45-12
140	GLAND BOLT (STANDARD)	STAINLESS STEEL	F593 S30400
140	GLAND BOLT (OPTION)	STAINLESS STEEL	F593 S31600
145	GLAND HEX NUT	BRASS	B124 C36500

NO.	DESCRIPTION	MATERIAL	ASTM DESIGNATION
155	PIPE PLUG (STANDARD)	STAINLESS STEEL	TYPE 304
155	PIPE PLUG (OPTION)	STAINLESS STEEL	TYPE 316
156	OP. NUT HEX NUT (STANDARD)	STAINLESS STEEL	F593 S30400
156	OP. NUT HEX NUT (OPTION)	STAINLESS STEEL	F593 S31600
157	OP. NUT WASHER (STANDARD)	STAINLESS STEEL	TYPE 304
157	OP. NUT WASHER (OPTION)	STAINLESS STEEL	TYPE 316
168	STEM (STANDARD)	STAINLESS STEEL	A276 S30400
168	STEM (OPTION)	STAINLESS STEEL	A276 S31600
174	BONNET HEX BOLT (STANDARD)	STAINLESS STEEL	F593 S30400
174	BONNET HEX BOLT (OPTION)	STAINLESS STEEL	F593 S31600
175	BONNET HEX NUT (STANDARD)	STAINLESS STEEL	F594 S30400
175	BONNET HEX NUT (OPTION)	STAINLESS STEEL	F594 S31600
176	PACKING BOX HEX BOLT	STAINLESS STEEL	F593 S30400
320	BONNET GASKET	GARLOCK	#3200
329	O-RING	RUBBER (BUNA)	D2000
345	PACKING	GARLOCK	STYLE 18



KENNEDY VALVE
 Division of McWane, Inc.
 1021 EAST WATER STREET ELMIRA, NEW YORK 14901

DWN: D SKAKAL

DATE: 6/6/17

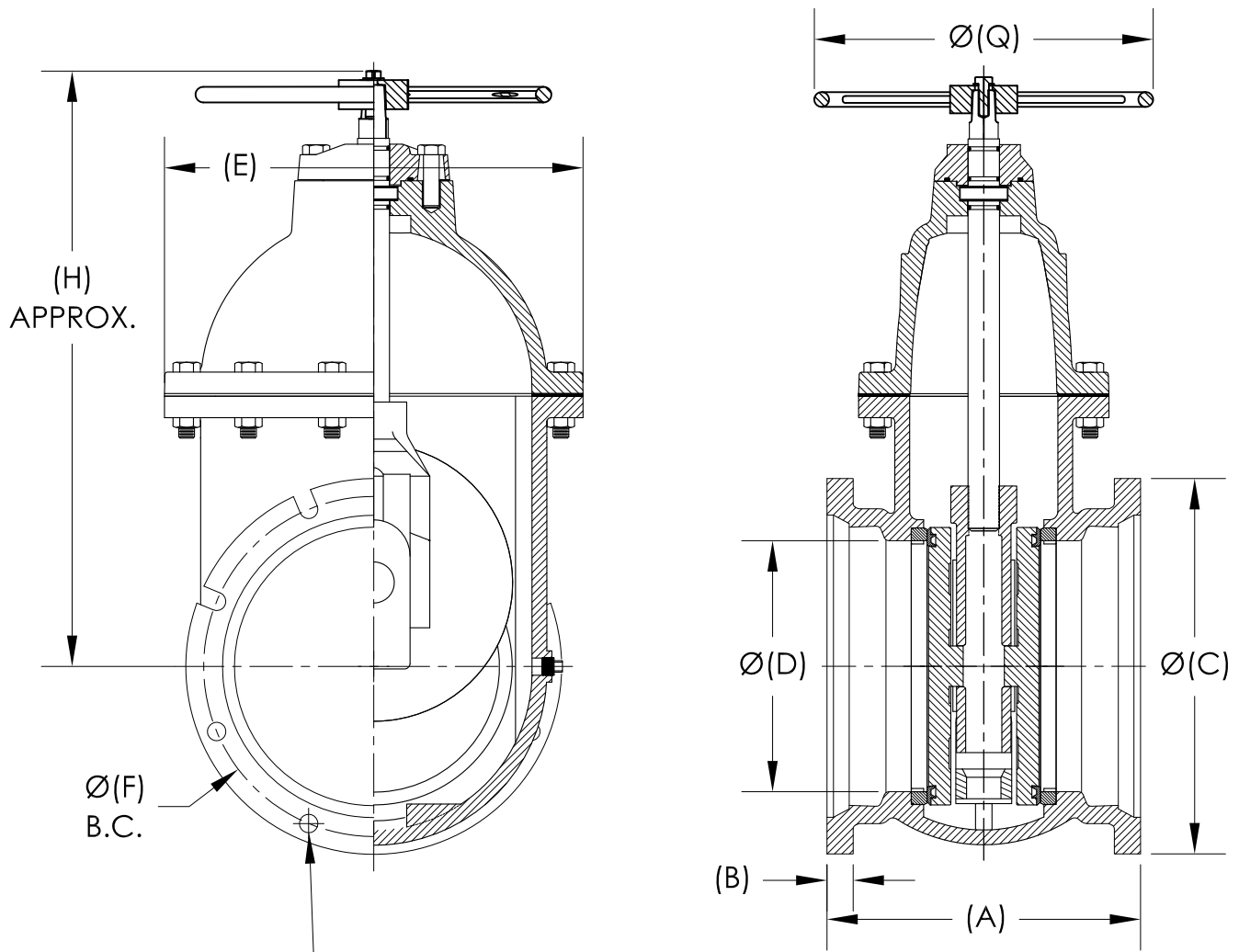
DWG. NO.

CAT910C10020-02

TITLE:

**SERIES 40 - ROTATING DISC GATE VALVE
 3" - 12" - NRS - PACKING
 FL x FL - CL250 - 2" OP. NUT - PL**

THIS DRAWING AND ALL INFORMATION IS KENNEDY VALVE PROPERTY AND SHALL NOT BE USED, COPIED, OR REPRODUCED WITHOUT WRITTEN CONSENT. DESIGN AND INVENTION RIGHTS RESERVED.



EACH FLANGE
 (J) = NUMBER OF HOLES/SLOTS
 Ø(K) = SIZE OF HOLES/SLOTS

NOTE: 12" VALVE SHOWN

SIZE Ø(D)	(A)	(B)	Ø(C)	(E)	Ø(F)	(H)	-	(J)	Ø(K)	-	-	-	Ø(Q)	# OF TURNS*	APPROX. WEIGHT
3.00	9.00	0.94	7.68	8.35	6.19	13.40	-	4	3/4	-	-	-	10.00	11	75
4.00	11.00	1.00	9.13	9.44	7.50	15.00	-	4	7/8	-	-	-	10.00	14	114
6.00	12.00	1.06	11.10	11.89	9.50	18.50	-	6	7/8	-	-	-	12.00	20	267
8.00	13.39	1.13	12.99	14.33	11.75	21.90	-	6	7/8	-	-	-	14.00	26	304
10.00	14.50	1.19	15.67	17.32	14.00	25.50	-	8	7/8	-	-	-	18.00	33	453
12.00	15.00	1.25	17.95	20.00	16.25	28.70	-	8	7/8	-	-	-	18.00	39	658

* ± 2% TURNS AT STEM NUT.

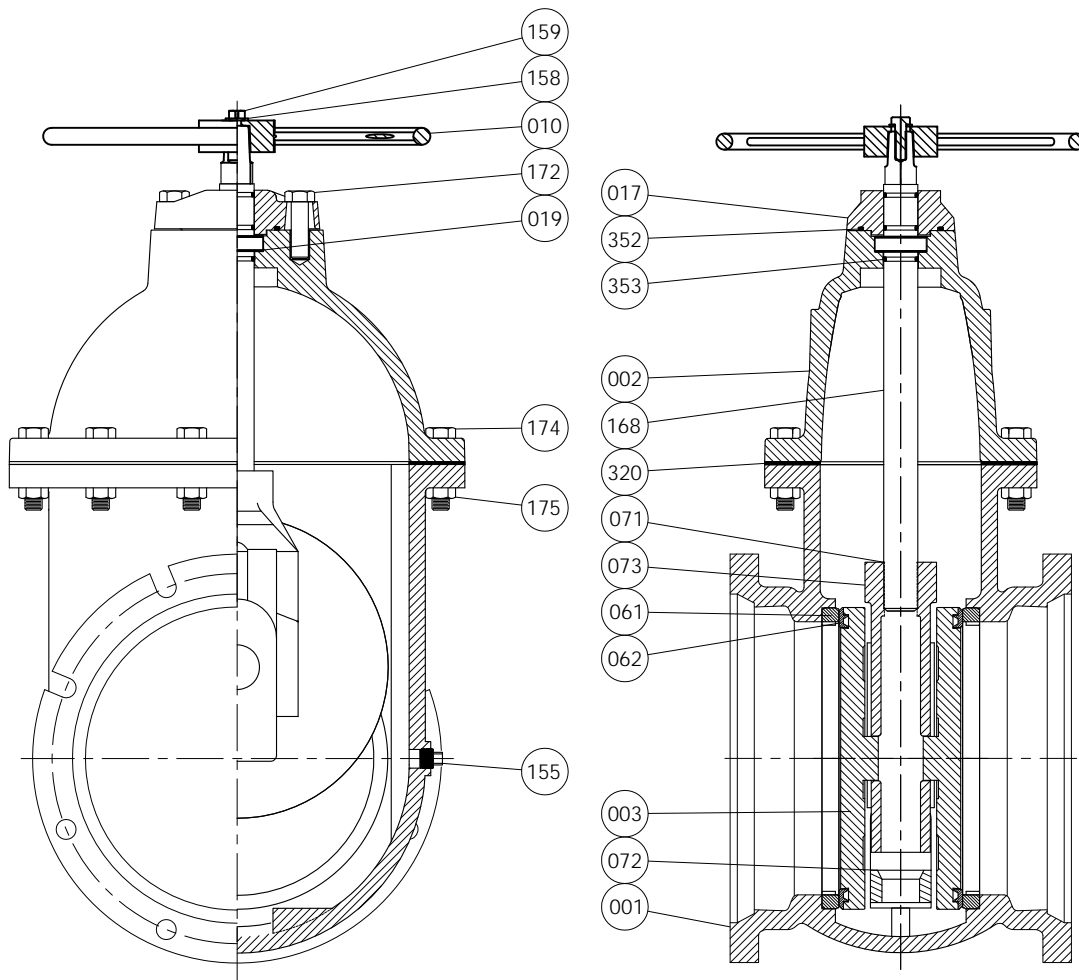


KENNEDY VALVE
 Division of McWane, Inc.
 1021 EAST WATER STREET ELMIRA, NEW YORK 14901

DWN: D SKAKAL
 DATE: 6/1/17
 DWG. NO.
 CAT910C10025-01

TITLE:
SERIES 55 - ROTATING DISC GATE VALVE
3" - 12" - NRS - O-RING
MJ X MJ - HW - GD

THIS DRAWING AND ALL INFORMATION IS KENNEDY VALVE PROPERTY AND SHALL NOT BE USED, COPIED, OR REPRODUCED WITHOUT WRITTEN CONSENT. DESIGN AND INVENTION RIGHTS RESERVED.



NO.	DESCRIPTION	MATERIAL	ASTM DESIGNATION
001	BODY	DUCTILE IRON	A536 GRADE 65-45-12/ 70-50-05
002	BONNET	DUCTILE IRON	A536 GRADE 65-45-12/ 70-50-05
003	DISC	DUCTILE IRON	A536 GRADE 65-45-12/ 70-50-05
010	HANDWHEEL	CAST IRON	A126 CLASS B
017	SEAL PLATE	DUCTILE IRON	A536 GRADE 65-45-12/ 70-50-05
019	THRUST BEARING	DELRIN	D6778
061	BODY SEAT RING	BRONZE	B148 C95400
062	DISC SEAT RING (3")	BRONZE	B148 C95400
	DISC SEAT RING (4"-12")	BRONZE	B584 C89833
071	STEM NUT	BRONZE	B505 C95400
072	LOWER WEDGE	DUCTILE IRON	A536 GRADE 65-45-12/ 70-50-05
073	UPPER WEDGE	DUCTILE IRON	A536 GRADE 65-45-12/ 70-50-05
155	PIPE PLUG (STANDARD)	STAINLESS STEEL	TYPE 304
	PIPE PLUG (OPTION)	STAINLESS STEEL	TYPE 316

NO.	DESCRIPTION	MATERIAL	ASTM DESIGNATION
158	HANDWHEEL WASHER	STAINLESS STEEL	F593 S30400
159	HANDWHEEL HOLD DOWN BOLT	STAINLESS STEEL	F593 S30400
168	STEM (STANDARD)	BRONZE	B584 C86700
	STEM (OPTION)	BRONZE	B763 C99500
	STEM (OPTION)	STAINLESS STEEL	A276 S30400
	STEM (OPTION)	STAINLESS STEEL	A274 S31600
172	SEAL PLATE BOLT (STANDARD)	STAINLESS STEEL	F593 S30400
	SEAL PLATE BOLT (OPTION)	STAINLESS STEEL	F593 S31600
174	BONNET HEX BOLT (STANDARD)	STAINLESS STEEL	F593 S30400
	BONNET HEX BOLT (OPTION)	STAINLESS STEEL	F593 S31600
175	BONNET HEX NUT (STANDARD)	STAINLESS STEEL	F594 S30400
	BONNET HEX NUT (OPTION)	STAINLESS STEEL	F594 S31600
320	BONNET GASKET	GARLOCK BLUE-GUARD 3200	F104
352	SEAL PLATE O-RING	RUBBER (BUNA-N)	D2000
353	STEM O-RING	RUBBER (BUNA-N)	D2000



KENNEDY VALVE
Division of McWane, Inc.
1021 EAST WATER STREET ELMIRA, NEW YORK 14901

DWN: D SKAKAL

DATE: 6/1/17

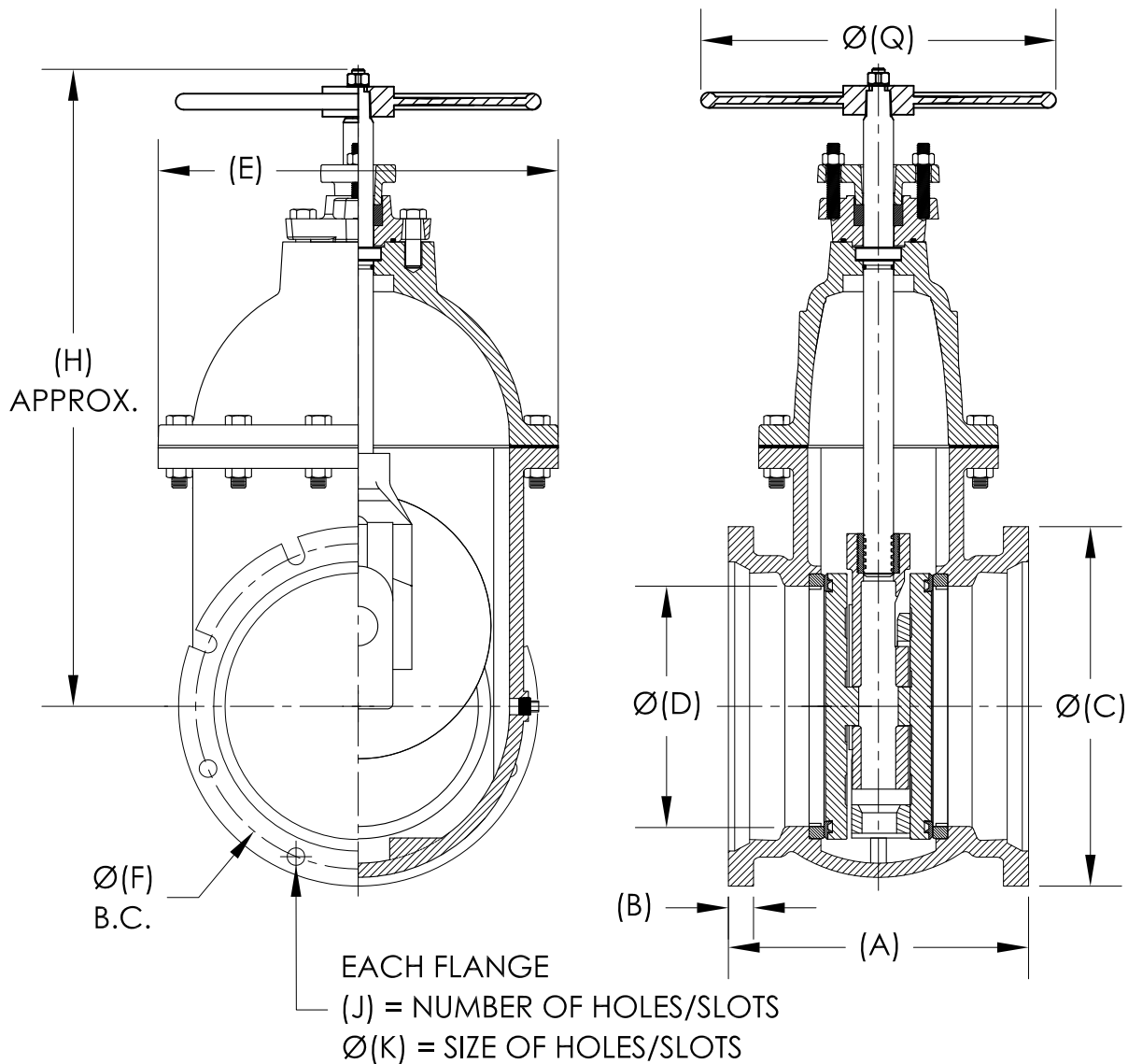
DWG. NO.

CAT910C10026-02

TITLE:

**SERIES 55 - ROTATING DISC GATE VALVE
3" - 12" - NRS - O-RING
MJ X MJ - HW - PL**

THIS DRAWING AND ALL INFORMATION IS KENNEDY VALVE PROPERTY AND SHALL NOT BE USED, COPIED, OR REPRODUCED WITHOUT WRITTEN CONSENT. DESIGN AND INVENTION RIGHTS RESERVED.



NOTE: 12" VALVE SHOWN

SIZE Ø(D)	(A)	(B)	Ø(C)	(E)	Ø(F)	(H)	-	(J)	Ø(K)	-	-	-	Ø(Q)	# OF TURNS*	APPROX. WEIGHT
3.00	9.00	0.94	7.68	8.35	6.19	15.20	-	4	3/4	-	-	-	10.00	11	86
4.00	11.00	1.00	9.13	9.44	7.50	16.80	-	4	7/8	-	-	-	10.00	14	129
6.00	12.00	1.06	11.10	11.89	9.50	20.10	-	8	7/8	-	-	-	12.00	20	306
8.00	13.00	1.13	13.38	14.33	11.75	23.80	-	8	7/8	-	-	-	14.00	26	336
10.00	14.50	1.19	15.67	17.32	14.00	27.90	-	8	7/8	-	-	-	18.00	33	524
12.00	15.00	1.25	17.95	20.00	16.25	31.80	-	8	7/8	-	-	-	18.00	39	772

* ± 2% TURNS AT VALVE STEM.

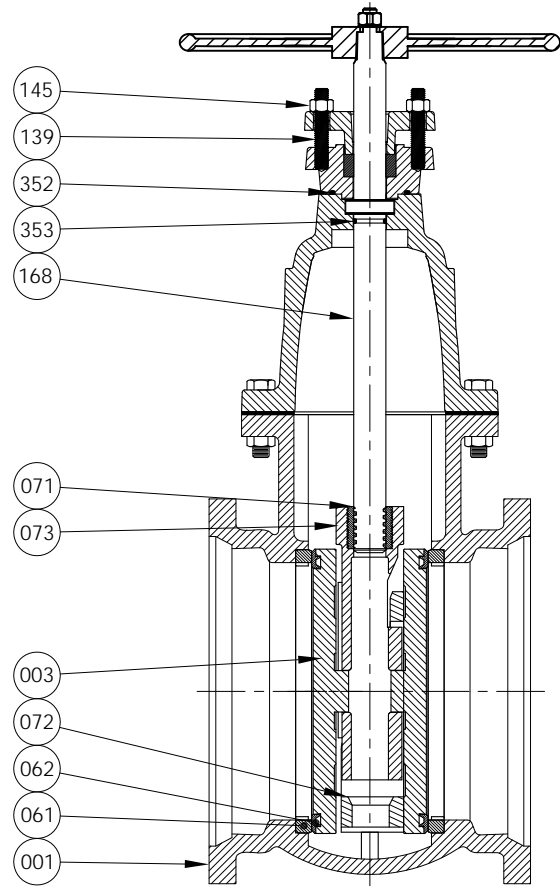
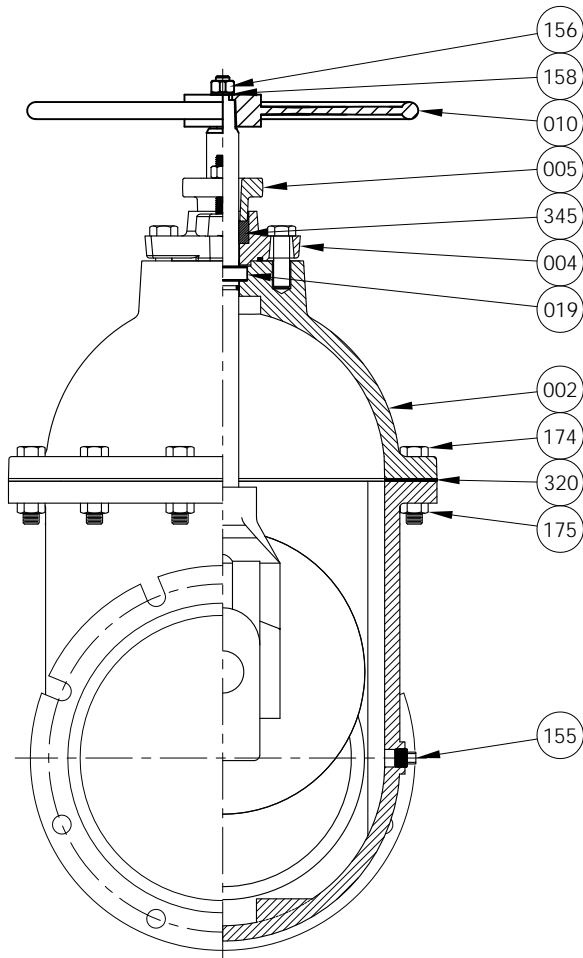


KENNEDY VALVE
Division of McWane, Inc.
1021 EAST WATER STREET ELMIRA, NEW YORK 14901

DWN: D SKAKAL
DATE: 6/2/17
DWG. NO.
CAT910C10027-01

TITLE:
SERIES 55 - ROTATING DISC GATE VALVE
3" - 12" - NRS - PACKING
MJ X MJ - HW - GD

THIS DRAWING AND ALL INFORMATION IS KENNEDY VALVE PROPERTY AND SHALL NOT BE USED, COPIED, OR REPRODUCED WITHOUT WRITTEN CONSENT. DESIGN AND INVENTION RIGHTS RESERVED.



NO.	DESCRIPTION	MATERIAL	ASTM DESIGNATION
001	BODY	DUCTILE IRON	A536 GRADE 65-45-12/ 70-50-05
002	BONNET	DUCTILE IRON	A536 GRADE 65-45-12/ 70-50-05
003	DISC	DUCTILE IRON	A536 GRADE 65-45-12/ 70-50-05
004	PACKING BOX	DUCTILE IRON	A536 GRADE 65-45-12/ 70-50-05
005	PACKING GLAND	DUCTILE IRON	A536 GRADE 65-45-12/ 70-50-05
010	HANDWHEEL	CAST IRON	A126 CLASS B
019	THRUST BEARING	DELTRIN	D6778POM0211
061	BODY SEAT RING	BRONZE	B148 C95400
062	DISC SEAT RING (3")	BRONZE	B148 C95400
062	DISC SEAT RING (4"-12")	BRONZE	B584 C89833
071	STEM NUT	BRONZE	B505 C95400
072	LOWER WEDGE	DUCTILE IRON	A536 GRADE 65-45-12/ 70-50-05
073	UPPER WEDGE	DUCTILE IRON	A536 GRADE 65-45-12/ 70-50-05
139	GLAND STUD (STANDARD)	STAINLESS STEEL	TYPE 304
139	GLAND STUD (OPTION)	STAINLESS STEEL	TYPE 316
145	GLAND HEX NUT (STANDARD)	COMMERCIAL BRASS	F594 304SS
145	GLAND HEX NUT (OPTION)	COMMERCIAL BRASS	F594 316SS

NO.	DESCRIPTION	MATERIAL	ASTM DESIGNATION
155	PIPE PLUG (STANDARD)	STAINLESS STEEL	TYPE 304
155	PIPE PLUG (OPTION)	STAINLESS STEEL	TYPE 316
156	HEX NUT (STANDARD)	STAINLESS STEEL	F593 S30400
156	HEX NUT (OPTION)	STAINLESS STEEL	F593 S31600
158	HANDWHEEL WASHER (STANDARD)	STAINLESS STEEL	F593 S30400
158	HANDWHEEL WASHER (OPTION)	STAINLESS STEEL	F593 S31600
168	STEM (STANDARD)	STAINLESS STEEL	A276 S30400
168	STEM (OPTION)	STAINLESS STEEL	A274 S31600
174	BONNET HEX NUT (STANDARD)	STAINLESS STEEL	F594 304SS
174	BONNET HEX NUT (OPTION)	STAINLESS STEEL	F594 304SS
175	BONNET HEX BOLT (STANDARD)	STAINLESS STEEL	F593 304SS
175	BONNET HEX BOLT (OPTION)	STAINLESS STEEL	F593 316SS
320	BONNET GASKET	GARLOCK 3200	-
345	PACKING	GARLOCK	STYLE 18
352	SEAL PLATE O-RING	RUBBER (EPDM)	D2000
353	STEM O-RING	RUBBER (EPDM)	D2000



KENNEDY VALVE
Division of McWane, Inc.
1021 EAST WATER STREET ELMIRA, NEW YORK 14901

DWN: D SKAKAL

DATE: 6/2/17

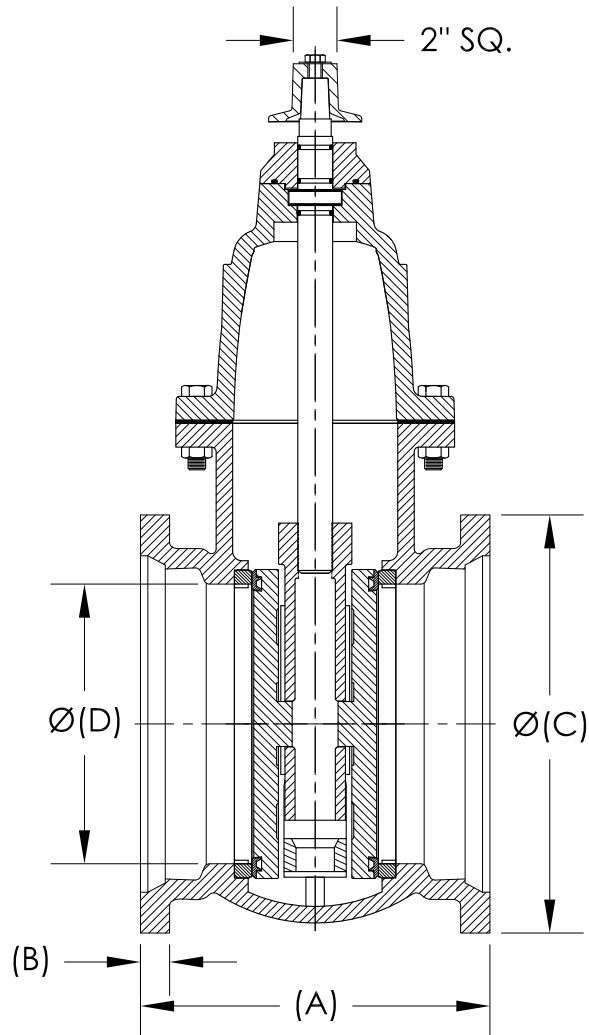
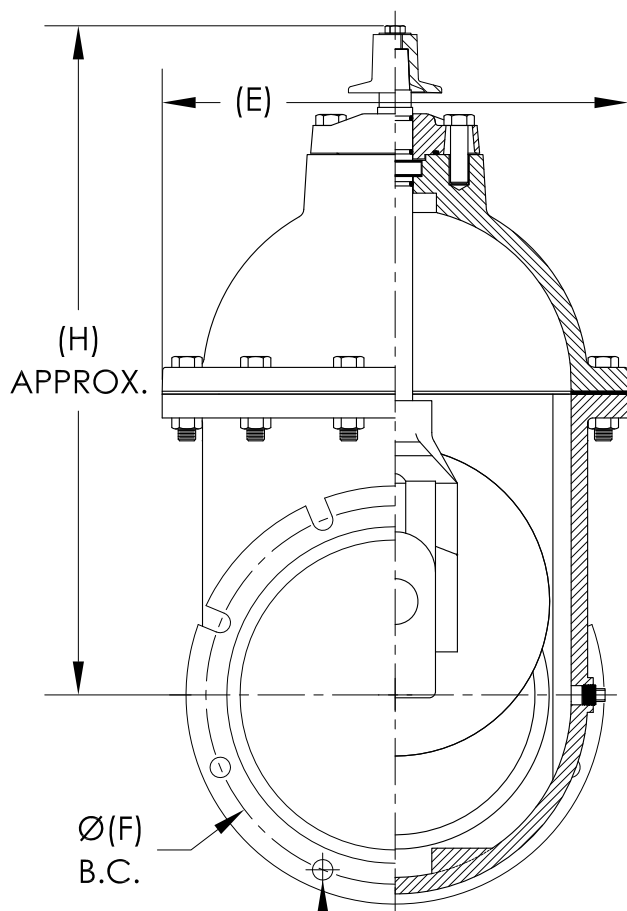
DWG. NO.

CAT910C10028-02

TITLE:

SERIES 55 - ROTATING DISC GATE VALVE
3" - 12" - NRS - PACKING
MJ X MJ - HW - PL

THIS DRAWING AND ALL INFORMATION IS KENNEDY VALVE PROPERTY AND SHALL NOT BE USED, COPIED, OR REPRODUCED WITHOUT WRITTEN CONSENT. DESIGN AND INVENTION RIGHTS RESERVED.



EACH FLANGE
 (J) = NUMBER OF HOLES/SLOTS
 Ø(K) = SIZE OF HOLES/SLOTS

NOTE: 12" VALVE SHOWN

SIZE Ø(D)	(A)	(B)	Ø(C)	(E)	Ø(F)	(H)	-	(J)	Ø(K)	-	-	-	-	# OF TURNS*	APPROX. WEIGHT
3.00	9.00	0.94	7.68	8.35	6.63	13.40	-	4	3/4	-	-	-	-	11	75
4.00	11.00	1.00	9.13	9.44	7.88	15.00	-	4	7/8	-	-	-	-	14	114
6.00	12.00	1.06	11.10	11.89	10.63	18.50	-	6	7/8	-	-	-	-	20	267
8.00	13.00	1.13	12.99	14.33	13.00	21.90	-	6	7/8	-	-	-	-	26	304
10.00	14.50	1.19	15.67	17.32	15.25	25.50	-	8	7/8	-	-	-	-	33	453
12.00	15.00	1.25	17.95	20.00	17.75	28.70	-	8	7/8	-	-	-	-	39	658

* ± 2% TURNS AT STEM NUT.

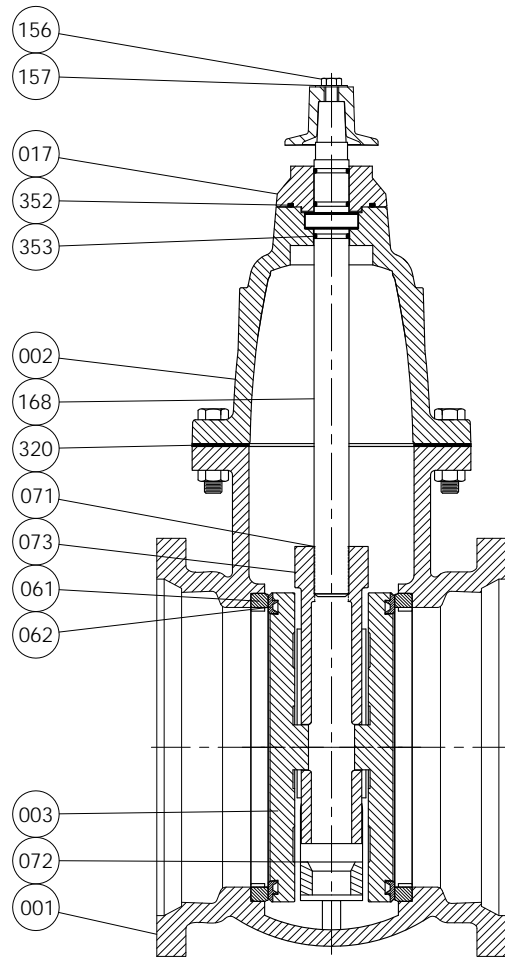
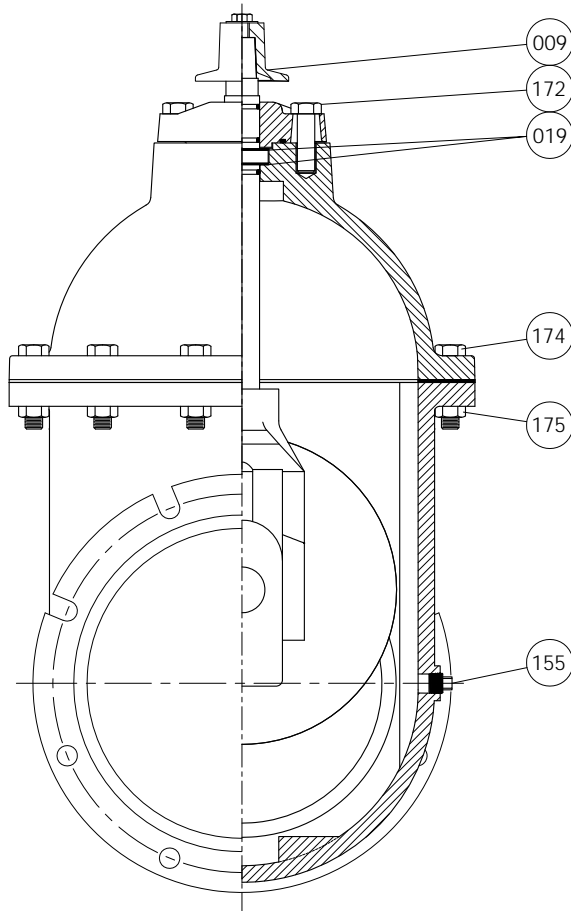


KENNEDY VALVE
 Division of McWane, Inc.
 1021 EAST WATER STREET ELMIRA, NEW YORK 14901

DWN: D SKAKAL
 DATE: 5/25/17
 DWG. NO.
 CAT910C10029-01

TITLE:
SERIES 55 - ROTATING DISC GATE VALVE
 3" - 12" - NRS - O-RING
 MJ X MJ - 2" OP. NUT - GD

THIS DRAWING AND ALL INFORMATION IS KENNEDY VALVE PROPERTY AND SHALL NOT BE USED, COPIED, OR REPRODUCED WITHOUT WRITTEN CONSENT. DESIGN AND INVENTION RIGHTS RESERVED.



NO.	DESCRIPTION	MATERIAL	ASTM DESIGNATION
001	BODY	DUCTILE IRON	A536 GRADE 65-45-12/ 70-50-05
002	BONNET	DUCTILE IRON	A536 GRADE 65-45-12/ 70-50-05
003	DISC	DUCTILE IRON	A536 GRADE 65-45-12/ 70-50-05
009	2" SQ. OP. NUT	GRAY IRON	A126 CLASS B
017	SEAL PLATE	DUCTILE IRON	A536 GRADE 65-45-12/ 70-50-05
019	THRUST BEARING	DELFIN	D6778
061	BODY SEAT RING	BRONZE	B148 C95400
062	DISC SEAT RING (3")	BRONZE	B148 C95400
	DISC SEAT RING (4"-12")	BRONZE	B584 C89833
071	STEM NUT	BRONZE	B505 C95400
072	LOWER WEDGE	DUCTILE IRON	A536 GRADE 65-45-12/ 70-50-05
073	UPPER WEDGE	DUCTILE IRON	A536 GRADE 65-45-12/ 70-50-05
	PIPE PLUG (STANDARD)	STAINLESS STEEL	TYPE 304
	PIPE PLUG (OPTION)	STAINLESS STEEL	TYPE 316
155	OP. NUT HEX NUT (STANDARD)	STAINLESS STEEL	F593 S30400
	OP. NUT HEX NUT (OPTION)	STAINLESS STEEL	F593 S31600

NO.	DESCRIPTION	MATERIAL	ASTM DESIGNATION
157	OP. NUT WASHER (STANDARD)	STAINLESS STEEL	TYPE 304
	OP. NUT WASHER (OPTION)	STAINLESS STEEL	TYPE 316
168	STEM (STANDARD)	BRONZE	B584 C86700
	STEM (OPTION)	BRONZE	B763 C99500
	STEM (OPTION)	STAINLESS STEEL	A276 S30400
	STEM (OPTION)	STAINLESS STEEL	A274 S31600
172	SEAL PLATE BOLT (STANDARD)	STAINLESS STEEL	F593 S30400
	SEAL PLATE BOLT (OPTION)	STAINLESS STEEL	F593 S31600
174	BONNET HEX BOLT (STANDARD)	STAINLESS STEEL	F593 S30400
	BONNET HEX BOLT (OPTION)	STAINLESS STEEL	F593 S31600
175	BONNET HEX NUT (STANDARD)	STAINLESS STEEL	F594 S30400
	BONNET HEX NUT (OPTION)	STAINLESS STEEL	F594 S31600
320	BONNET GASKET	GARLOCK BLUE-GUARD 3200	F104
352	SEAL PLATE O-RING	RUBBER (BUNA-N)	D2000
353	STEM O-RING	RUBBER (BUNA-N)	D2000



KENNEDY VALVE
Division of McWane, Inc.
1021 EAST WATER STREET ELMIRA, NEW YORK 14901

DWN: D SKAKAL

DATE: 5/25/17

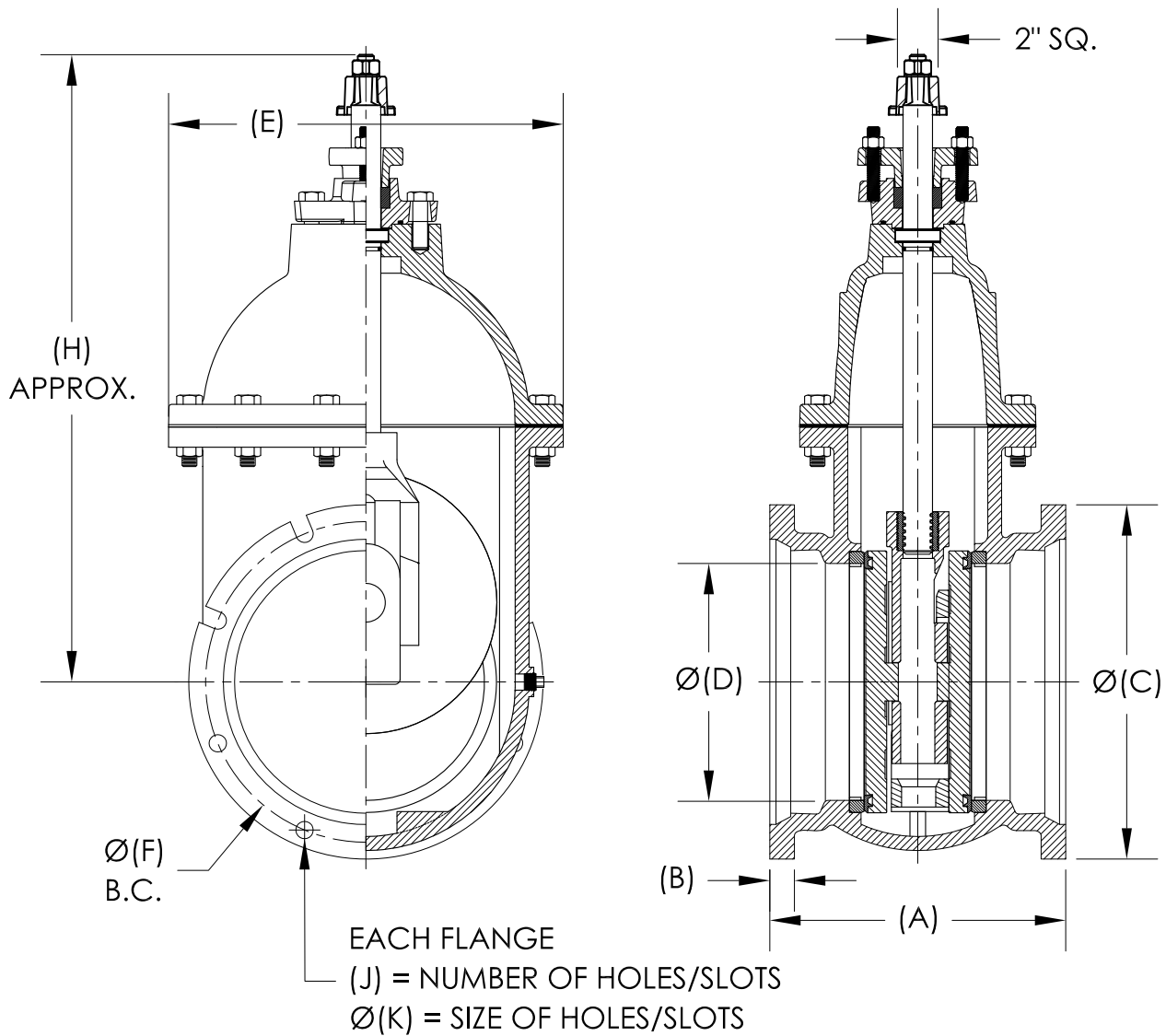
DWG. NO.

CAT910C10030-02

TITLE:

**SERIES 55 - ROTATING DISC GATE VALVE
3" - 12" - NRS - O-RING
MJ X MJ - 2" OP. NUT - PL**

THIS DRAWING AND ALL INFORMATION IS KENNEDY VALVE PROPERTY AND SHALL NOT BE USED, COPIED, OR REPRODUCED WITHOUT WRITTEN CONSENT. DESIGN AND INVENTION RIGHTS RESERVED.



NOTE: 12" VALVE SHOWN

SIZE Ø(D)	(A)	(B)	Ø(C)	(E)	Ø(F)	(H)	-	(J)	Ø(K)	-	-	-	-	# OF TURNS*	APPROX. WEIGHT
3.00	9.00	0.94	7.68	8.35	6.19	15.20	-	4	3/4	-	-	-	-	11	86
4.00	11.00	1.00	9.13	9.44	7.50	16.80	-	4	7/8	-	-	-	-	14	129
6.00	12.00	1.06	11.10	11.89	9.50	20.10	-	8	7/8	-	-	-	-	20	306
8.00	13.00	1.13	13.38	14.33	11.75	23.80	-	8	7/8	-	-	-	-	26	336
10.00	14.50	1.19	15.67	17.32	14.00	27.90	-	8	7/8	-	-	-	-	33	524
12.00	15.00	1.25	17.95	20.00	16.25	31.80	-	8	7/8	-	-	-	-	39	772

* ± 2% TURNS AT VALVE STEM.



KENNEDY VALVE
Division of McWane, Inc.
1021 EAST WATER STREET ELMIRA, NEW YORK 14901

DWN: D SKAKAL

DATE: 6/2/17

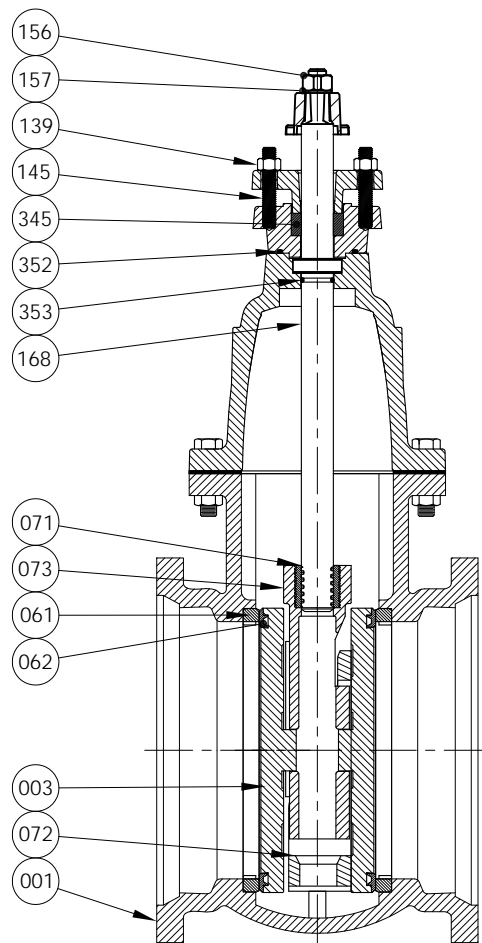
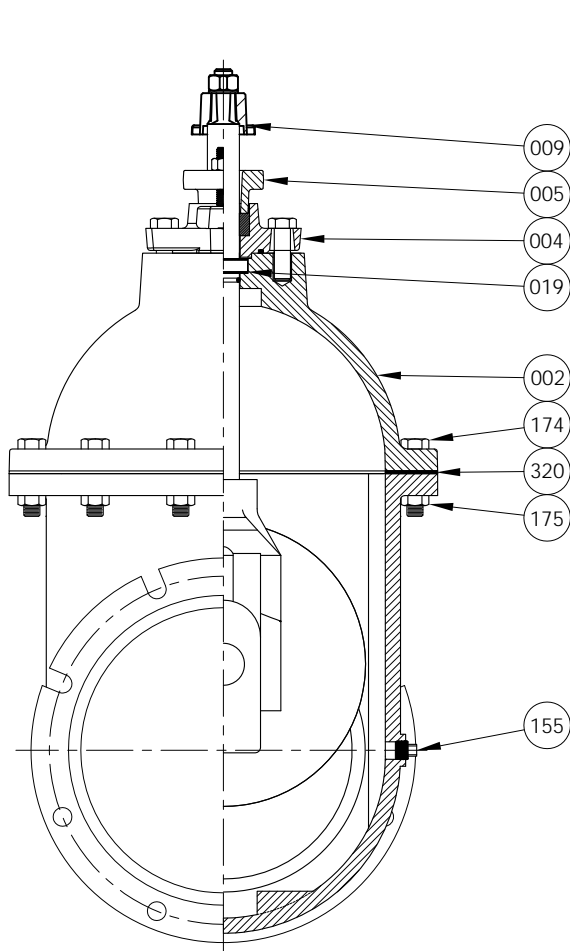
DWG. NO.

CAT910C10031-01

TITLE:

SERIES 55 - ROTATING DISC GATE VALVE
3" - 12" - NRS - PACKING
MJ X MJ - 2" OP. NUT - GD

THIS DRAWING AND ALL INFORMATION IS KENNEDY VALVE PROPERTY AND SHALL NOT BE USED, COPIED, OR REPRODUCED WITHOUT WRITTEN CONSENT. DESIGN AND INVENTION RIGHTS RESERVED.



NO.	DESCRIPTION	MATERIAL	ASTM DESIGNATION
001	BODY	DUCTILE IRON	A536 GRADE 65-45-12/ 70-50-05
002	BONNET	DUCTILE IRON	A536 GRADE 65-45-12/ 70-50-05
003	DISC	DUCTILE IRON	A536 GRADE 65-45-12/ 70-50-05
004	PACKING BOX	DUCTILE IRON	A536 GRADE 65-45-12/ 70-50-05
005	PACKING GLAND	DUCTILE IRON	A536 GRADE 65-45-12/ 70-50-05
009	2" SQ. OP. NUT	DUCTILE IRON	A536 GRADE 65-45-12/ 70-50-05
019	THRUST BEARING	DELTRIN	D6778POM0211
061	BODY SEAT RING	BRONZE	B148 C95400
062	DISC SEAT RING (3")	BRONZE	B148 C95400
	DISC SEAT RING (4"-12")	BRONZE	B584 C89833
071	STEM NUT	BRONZE	B505 C95400
072	LOWER WEDGE	DUCTILE IRON	A536 GRADE 65-45-12/ 70-50-05
073	UPPER WEDGE	DUCTILE IRON	A536 GRADE 65-45-12/ 70-50-05
139	GLAND STUD (STANDARD)	STAINLESS STEEL	TYPE 304
	GLAND STUD (OPTION)	STAINLESS STEEL	TYPE 316
145	GLAND NUT (STANDARD)	COMMERCIAL BRASS	F594 304SS
	GLAND NUT (OPTION)	COMMERCIAL BRASS	F594 316SS

NO.	DESCRIPTION	MATERIAL	ASTM DESIGNATION
155	PIPE PLUG (STANDARD)	STAINLESS STEEL	TYPE 304
	PIPE PLUG (OPTION)	STAINLESS STEEL	TYPE 316
156	OP. NUT HEX NUT (STANDARD)	STAINLESS STEEL	F593 S30400
	OP. NUT HEX NUT (OPTION)	STAINLESS STEEL	F593 S31600
157	OP. NUT WASHER (STANDARD)	STAINLESS STEEL	A276 S30400
	OP. NUT WASHER (OPTION)	STAINLESS STEEL	A274 S31600
168	STEM (STANDARD)	STAINLESS STEEL	F593 304SS
	STEM (OPTION)	STAINLESS STEEL	F593 316SS
174	BONNET HEX BOLT (STANDARD)	STAINLESS STEEL	F594 304SS
	BONNET HEX BOLT (OPTION)	STAINLESS STEEL	F594 304SS
175	BONNET HEX NUT (STANDARD)	STAINLESS STEEL	F594 304SS
	BONNET HEX NUT (OPTION)	STAINLESS STEEL	F594 316SS
320	BONNET GASKET	GARLOCK 3200	-----
345	PACKING	GARLOCK	STYLE 18
352	SEAL PLATE O-RING	RUBBER (EPDM)	D2000
353	STEM O-RING	RUBBER (EPDM)	D2000



KENNEDY VALVE
Division of McWane, Inc.
1021 EAST WATER STREET ELMIRA, NEW YORK 14901

DWN: D SKAKAL

DATE: 6/2/17

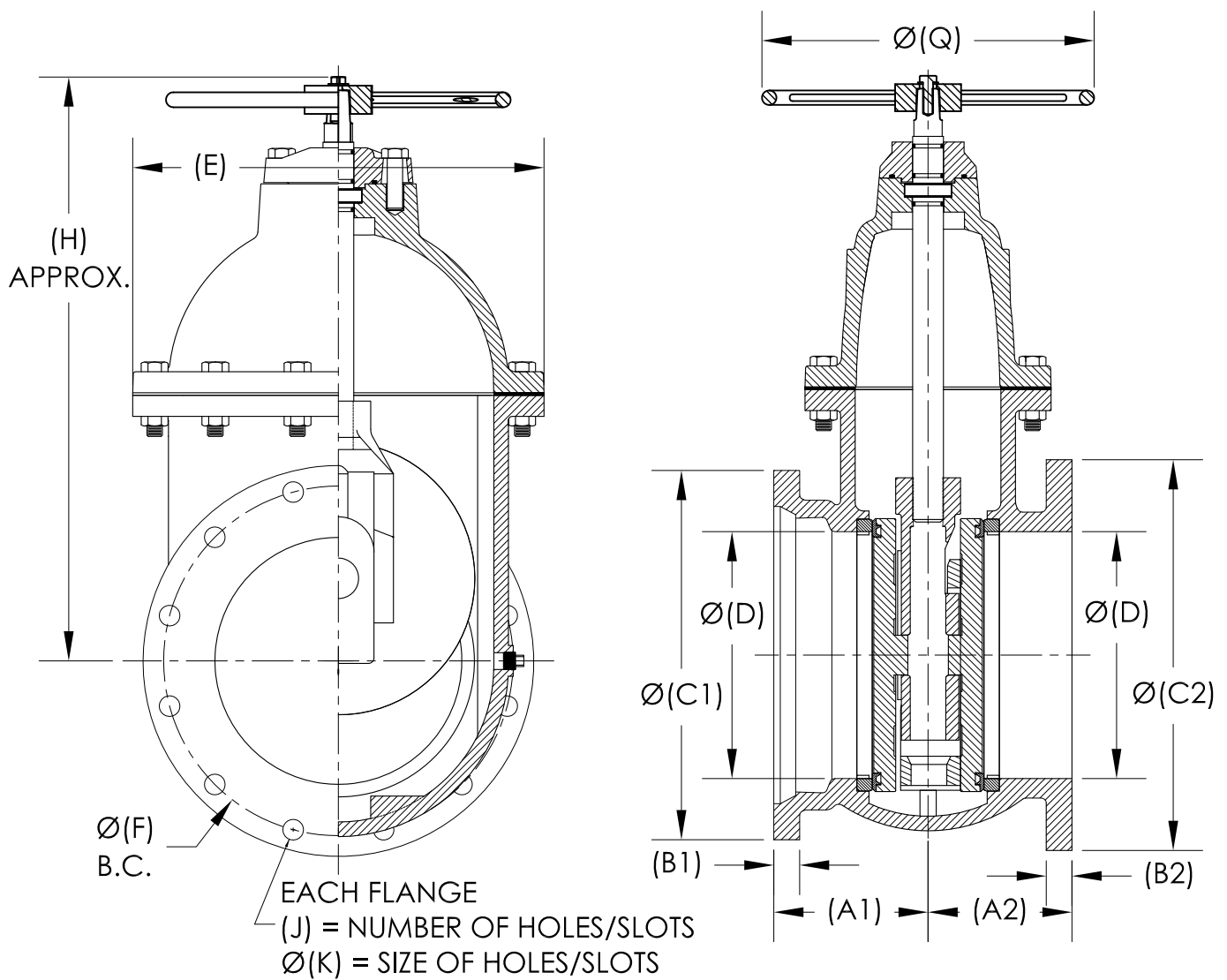
DWG. NO.

CAT910C10032-02

TITLE:

**SERIES 55 - ROTATING DISC GATE VALVE
3" - 12" - NRS - PACKING
MJ X MJ - 2" OP. NUT - PL**

THIS DRAWING AND ALL INFORMATION IS KENNEDY VALVE PROPERTY AND SHALL NOT BE USED, COPIED, OR REPRODUCED WITHOUT WRITTEN CONSENT. DESIGN AND INVENTION RIGHTS RESERVED.



NOTE 1: 12" VALVE SHOWN
 NOTE 2: #1 DIMENSIONS REPRESENT MJ END CONNECTION
 NOTE 3: #2 DIMENSIONS REPRESENT FL END CONNECTION

SIZE Ø(D)	(A1)	(A2)	(B1)	(B2)	Ø(C1)	Ø(C2)	(E)	Ø(F1)	Ø(F2)	(H)	(J1)	Ø(K1)	(J2)	Ø(K2)	Ø(Q)	# OF TURNS*	APPROX. WEIGHT
3.00	9.00	8.00	0.94	0.75	7.68	7.50	8.35	6.19	6.00	13.40	4	3/4	4	3/4	10.00	11	75
4.00	11.00	9.00	1.00	0.94	9.13	9.00	9.44	7.50	7.50	15.00	4	7/8	8	3/4	10.00	14	114
6.00	12.00	10.50	1.06	1.00	11.10	11.00	11.89	9.50	9.50	18.50	6	7/8	8	7/8	12.00	20	267
8.00	13.39	11.50	1.13	1.13	12.99	13.50	14.33	11.75	11.75	21.90	6	7/8	8	7/8	14.00	26	304
10.00	14.50	13.00	1.19	1.19	15.67	16.00	17.32	14.00	14.25	25.50	8	7/8	12	1.00	18.00	33	453
12.00	15.00	14.00	1.25	1.25	17.95	19.00	20.00	16.25	17.00	28.70	8	7/8	12	1.00	18.00	39	658

* ± 2% TURNS AT VALVE STEM.

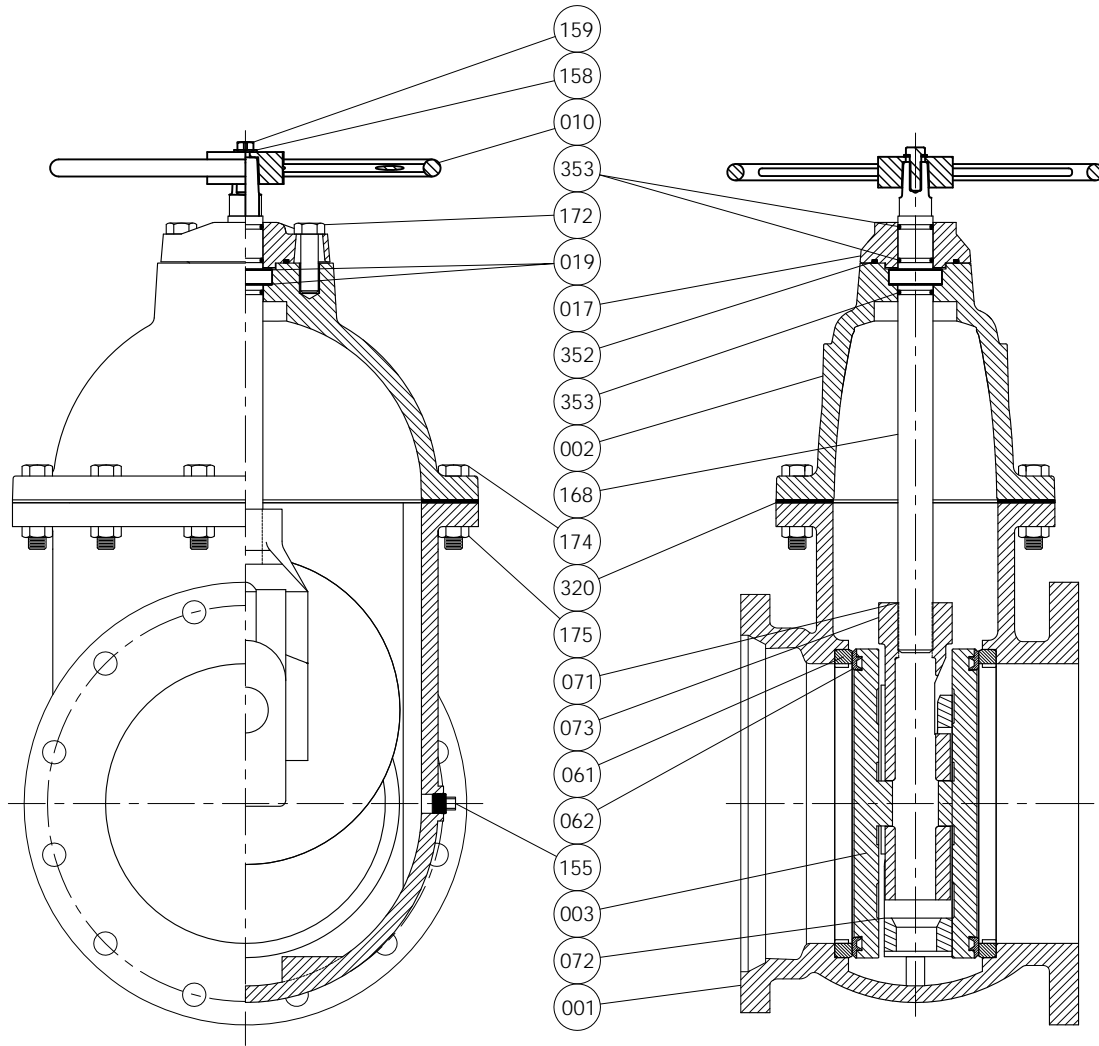


KENNEDY VALVE
 Division of McWane, Inc.
 1021 EAST WATER STREET ELMIRA, NEW YORK 14901

DWN: D SKAKAL
 DATE: 6/7/17
 DWG. NO.
 CAT910C10037-01

TITLE:
SERIES 525 - ROTATING DISC GATE VALVE
3" - 12" - NRS - O-RING
FL x MJ - HW - GD

THIS DRAWING AND ALL INFORMATION IS KENNEDY VALVE PROPERTY AND SHALL NOT BE USED, COPIED, OR REPRODUCED WITHOUT WRITTEN CONSENT. DESIGN AND INVENTION RIGHTS RESERVED.



NO.	DESCRIPTION	MATERIAL	ASTM DESIGNATION
001	BODY	DUCTILE IRON	A536 GRADE 65-45-12/ 70-50-05
002	BONNET	DUCTILE IRON	A536 GRADE 65-45-12/ 70-50-05
003	DISC	DUCTILE IRON	A536 GRADE 65-45-12/ 70-50-05
010	HANDWHEEL	CAST IRON	A126 CLASS B
017	SEAL PLATE	DUCTILE IRON	A536 GRADE 65-45-12/ 70-50-05
019	THRUST BEARING	DELFIN	D6778
061	BODY SEAT RING	BRONZE	B148 C95400
062	DISC SEAT RING (3")	BRONZE	B148 C95400
	DISC SEAT RING (4"-12")	BRONZE	B584 C89833
071	STEM NUT	BRONZE	B505 C95400
072	LOWER WEDGE	DUCTILE IRON	A536 GRADE 65-45-12/ 70-50-05
073	UPPER WEDGE	DUCTILE IRON	A536 GRADE 65-45-12/ 70-50-05
155	PIPE PLUG (STANDARD)	STAINLESS STEEL	TYPE 304
	PIPE PLUG (OPTION)	STAINLESS STEEL	TYPE 316
158	HANDWHEEL WASHER	STAINLESS STEEL	F593 S30400

NO.	DESCRIPTION	MATERIAL	ASTM DESIGNATION
159	HANDWHEEL HOLD DOWN BOLT	STAINLESS STEEL	F593 S30400
168	STEM (STANDARD)	BRONZE	B584 C86700
	STEM (OPTION)	BRONZE	B763 C99500
	STEM (OPTION)	STAINLESS STEEL	A276 S30400
	STEM (OPTION)	STAINLESS STEEL	A276 S31600
172	SEAL PLATE BOLT (STANDARD)	STAINLESS STEEL	F593 S30400
	SEAL PLATE BOLT (OPTION)	STAINLESS STEEL	F593 S31600
174	BONNET HEX BOLT (STANDARD)	STAINLESS STEEL	F593 S30400
	BONNET HEX BOLT (OPTION)	STAINLESS STEEL	F593 S31600
175	BONNET HEX NUT (STANDARD)	STAINLESS STEEL	F594 S30400
	BONNET HEX NUT (OPTION)	STAINLESS STEEL	F594 S31600
320	BONNET GASKET	GARLOCK BLUE-GUARD 3200	F104
352	SEAL PLATE O-RING	RUBBER (BUNA-N)	D2000
353	STEM O-RING	RUBBER (BUNA-N)	D2000



KENNEDY VALVE
Division of McWane, Inc.
1021 EAST WATER STREET ELMIRA, NEW YORK 14901

DWN: D SKAKAL

DATE: 6/7/17

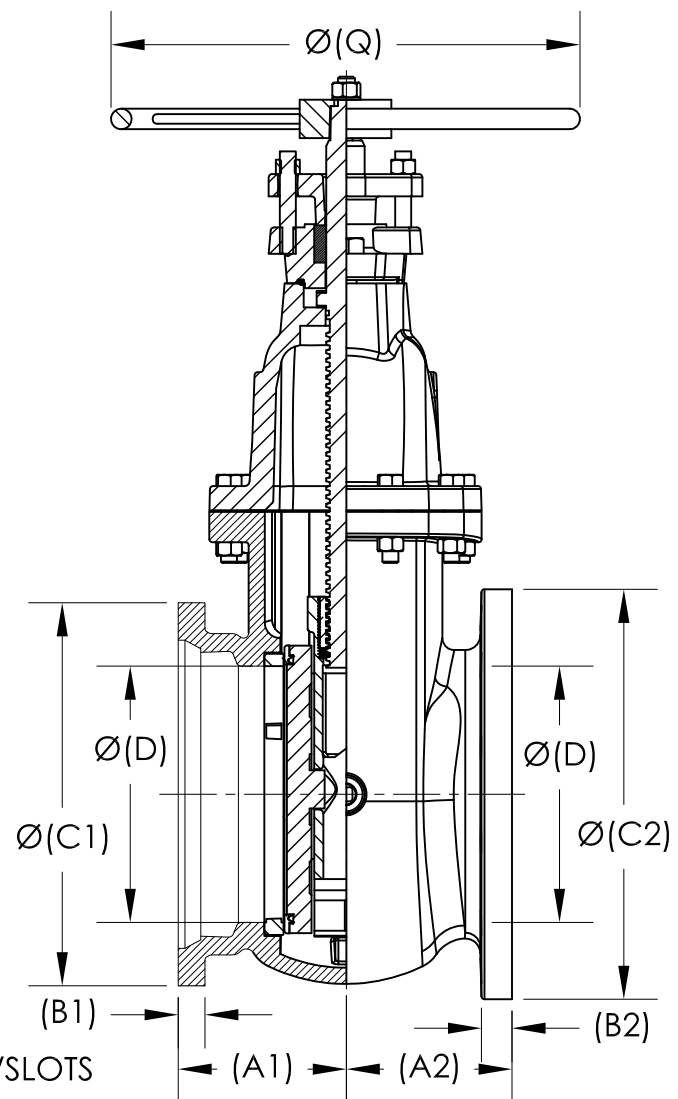
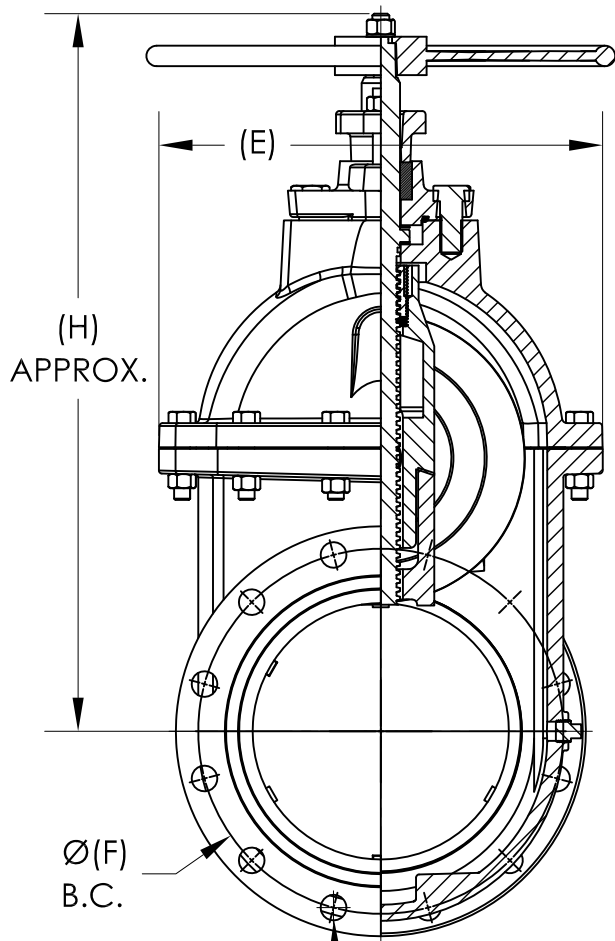
DWG. NO.

CAT910C10038-02

TITLE:

SERIES 525 - ROTATING DISC GATE VALVE
3" - 12" - NRS - O-RING
FL x MJ - HW - PL

THIS DRAWING AND ALL INFORMATION IS KENNEDY VALVE PROPERTY AND SHALL NOT BE USED, COPIED, OR REPRODUCED WITHOUT WRITTEN CONSENT. DESIGN AND INVENTION RIGHTS RESERVED.



EACH FLANGE
 (J) = NUMBER OF HOLES/SLOTS
 Ø(K) = SIZE OF HOLES/SLOTS

NOTE 1: 12" VALVE SHOWN
 NOTE 2: #1 DIMENSIONS REPRESENT MJ END CONNECTION
 NOTE 3: #2 DIMENSIONS REPRESENT FL END CONNECTION

SIZE Ø(D)	(A1)	(A2)	(B1)	(B2)	Ø(C1)	Ø(C2)	(E)	Ø(F1)	Ø(F2)	(H)	(J1)	Ø(K1)	(J2)	Ø(K2)	Ø(Q)	# OF TURNS*	APPROX. WEIGHT
3.00	9.00	8.00	0.94	0.75	7.68	7.50	8.35	6.19	6.00	15.20	4	3/4	4	3/4	10.00	11	86
4.00	11.00	9.00	1.00	0.94	9.13	9.00	9.44	7.50	7.50	16.80	4	7/8	8	3/4	10.00	14	129
6.00	12.00	10.50	1.06	1.00	11.10	11.00	11.89	9.50	9.50	20.10	6	7/8	8	7/8	12.00	20	306
8.00	13.39	11.50	1.13	1.13	12.99	13.50	14.33	11.75	11.75	23.80	6	7/8	8	7/8	14.00	26	336
10.00	14.50	13.00	1.19	1.19	15.67	16.00	17.32	14.00	14.25	27.90	8	7/8	12	1.00	18.00	33	524
12.00	15.00	14.00	1.25	1.25	17.95	19.00	20.00	16.25	17.00	31.80	8	7/8	12	1.00	18.00	39	772

* ± 2% TURNS AT VALVE STEM.

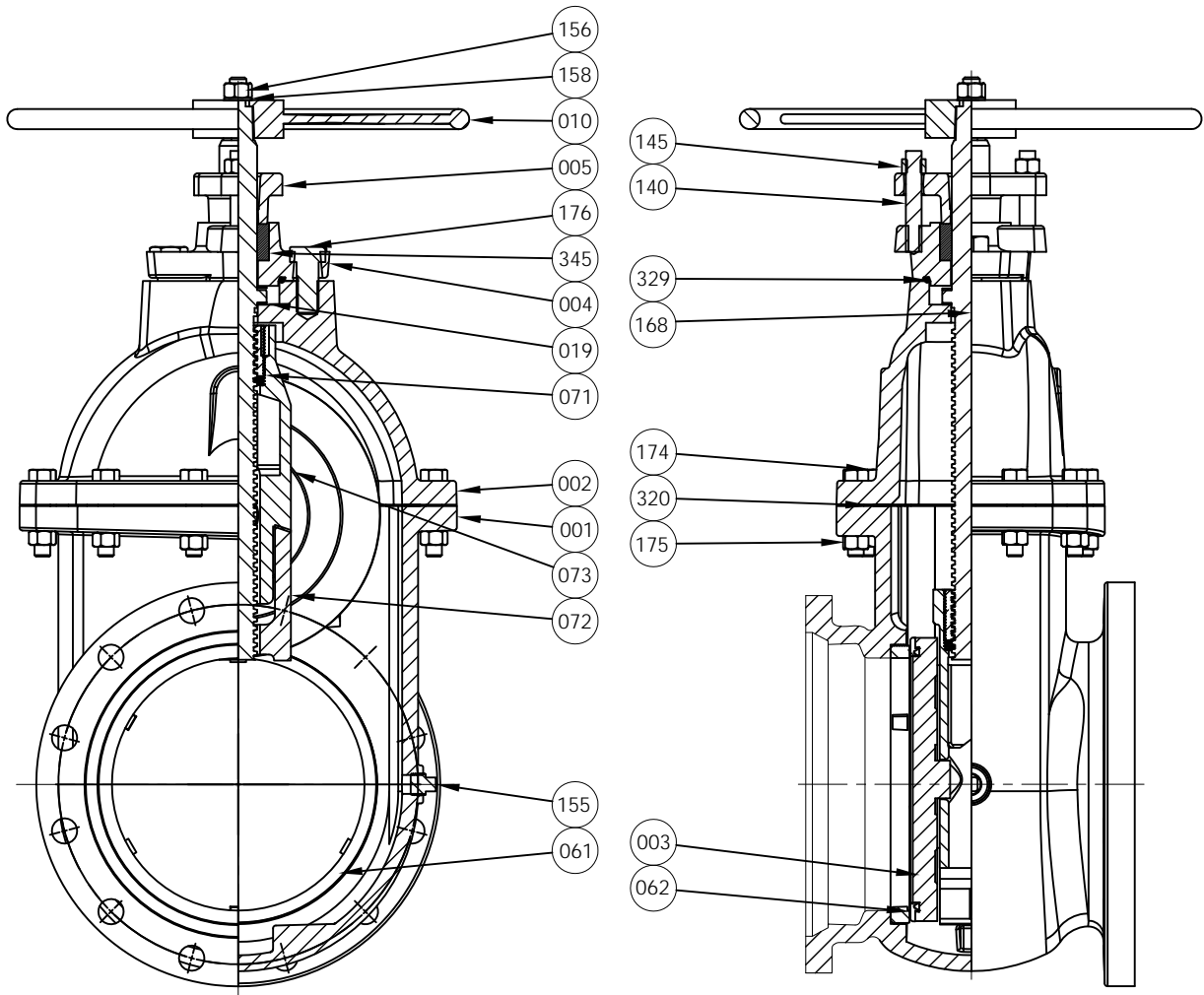


KENNEDY VALVE
 Division of McWane, Inc.
 1021 EAST WATER STREET ELMIRA, NEW YORK 14901

DWN: D SKAKAL
 DATE: 6/7/17
 DWG. NO.
 CAT910C10039-01

TITLE:
SERIES 525 - ROTATING DISC GATE VALVE
 3" - 12" - NRS - PACKING
 FL x MJ - HW - GD

THIS DRAWING AND ALL INFORMATION IS KENNEDY VALVE PROPERTY AND SHALL NOT BE USED, COPIED, OR REPRODUCED WITHOUT WRITTEN CONSENT. DESIGN AND INVENTION RIGHTS RESERVED.



NO.	DESCRIPTION	MATERIAL	ASTM DESIGNATION
001	BODY	DUCTILE IRON	A536 GRADE 65-45-12
002	BONNET	DUCTILE IRON	A536 GRADE 65-45-12
003	DISC	DUCTILE IRON	A536 GRADE 65-45-12
004	PACKING BOX	DUCTILE IRON	A536 GRADE 65-45-12
005	PACKING GLAND	DUCTILE IRON	A536 GRADE 65-45-12
010	HANDWHEEL	CAST IRON	A126 CLASS B
019	THRUST BEARING	PLASTIC	DELRIN
061	BODY SEAT RING	BRONZE	B148 C95400
062	DISC SEAT RING (3")	BRONZE	B148 C95400
	DISC SEAT RING (4"-12")	BRONZE	B584 C89833
071	STEM NUT	BRONZE	B505 C95400
072	LOWER WEDGE	DUCTILE IRON	A536 GRADE 65-45-12
073	UPPER WEDGE	DUCTILE IRON	A536 GRADE 65-45-12
140	GLAND BOLT (STANDARD)	STAINLESS STEEL	F593 S30400
	GLAND BOLT (OPTION)	STAINLESS STEEL	F593 S31600
145	GLAND HEX NUT	BRASS	B124 C36500

NO.	DESCRIPTION	MATERIAL	ASTM DESIGNATION
155	PIPE PLUG (STANDARD)	STAINLESS STEEL	TYPE 304
	PIPE PLUG (OPTION)	STAINLESS STEEL	TYPE 316
156	HEX NUT (STANDARD)	STAINLESS STEEL	F593 S30400
	HEX NUT (OPTION)	STAINLESS STEEL	F593 S31600
158	HANDWHEEL WASHER (STANDARD)	STAINLESS STEEL	F593 S30400
	HANDWHEEL WASHER (OPTION)	STAINLESS STEEL	F593 S31600
168	STEM OPEN RIGHT (STANDARD)	STAINLESS STEEL	A276 S30400
	STEM OPEN RIGHT (OPTION)	STAINLESS STEEL	A276 S31600
174	BONNET HEX BOLT (STANDARD)	STAINLESS STEEL	F593 S30400
	BONNET HEX BOLT (OPTION)	STAINLESS STEEL	F593 S31600
175	BONNET HEX NUT (STANDARD)	STAINLESS STEEL	F594 S30400
	BONNET HEX NUT (OPTION)	STAINLESS STEEL	F594 S31600
176	PACKING BOX HEX BOLT	STAINLESS STEEL	F593 S30400
320	BONNET GASKET	GARLOCK	#3200
329	O-RING	RUBBER (BUNA)	D2000
345	PACKING	GARLOCK	STYLE 18



KENNEDY VALVE
 Division of McWane, Inc.
 1021 EAST WATER STREET ELMIRA, NEW YORK 14901

DWN: D SKAKAL

DATE: 6/7/17

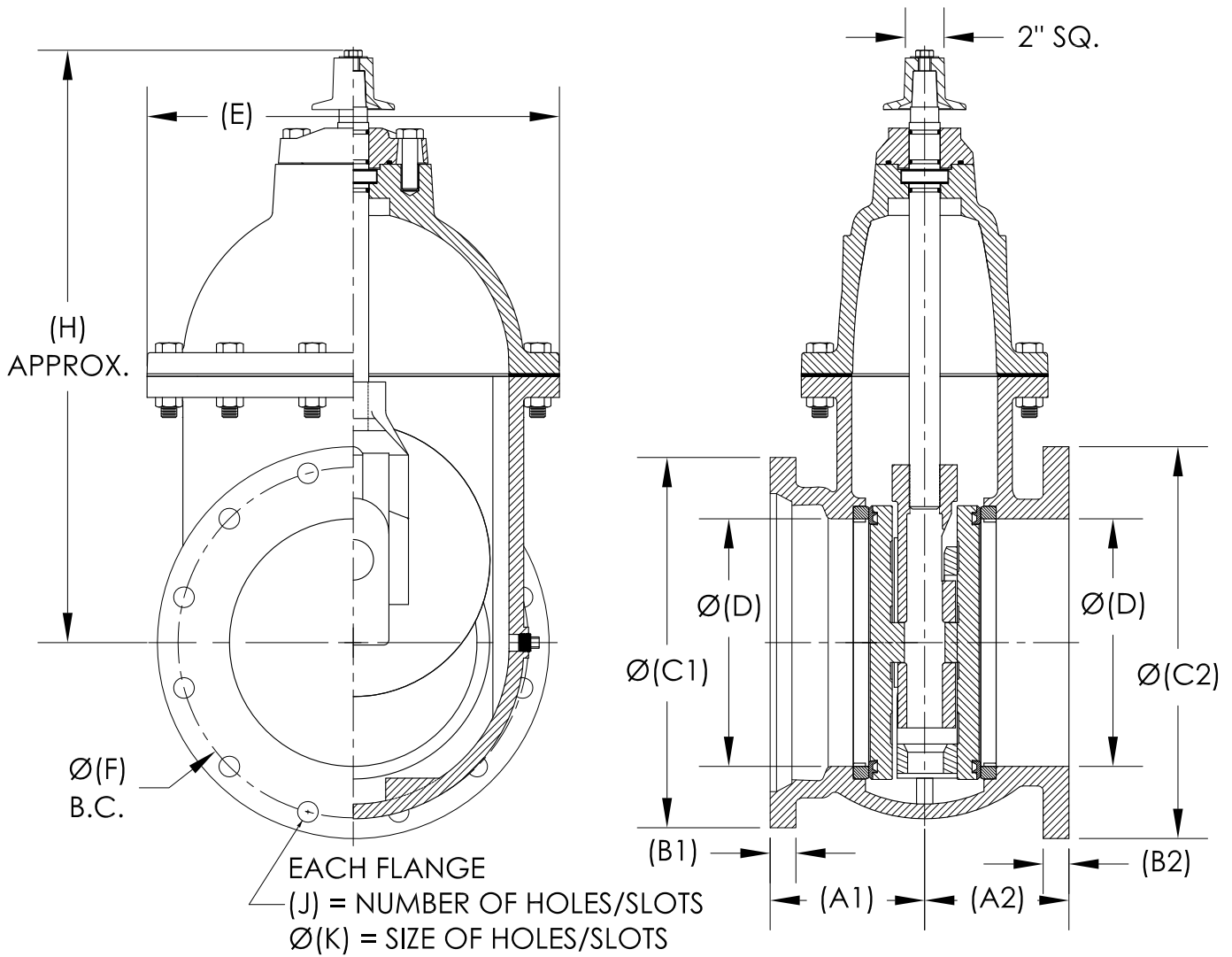
DWG. NO.

CAT910C10040-02

TITLE:

**SERIES 525 - ROTATING DISC GATE VALVE
 3" - 12" - NRS - PACKING
 FL x MJ - HW - PL**

THIS DRAWING AND ALL INFORMATION IS KENNEDY VALVE PROPERTY AND SHALL NOT BE USED, COPIED, OR REPRODUCED WITHOUT WRITTEN CONSENT. DESIGN AND INVENTION RIGHTS RESERVED.



NOTE 1: 12" VALVE SHOWN
 NOTE 2: #1 DIMENSIONS REPRESENT MJ END CONNECTION
 NOTE 3: #2 DIMENSIONS REPRESENT FL END CONNECTION

SIZE Ø(D)	(A1)	(A2)	(B1)	(B2)	Ø(C1)	Ø(C2)	(E)	Ø(F1)	Ø(F2)	(H)	(J1)	Ø(K1)	(J2)	Ø(K2)	# OF TURNS*	APPROX. WEIGHT
3.00	4.50	4.00	0.94	0.75	7.68	7.50	8.35	6.63	6.00	13.40	4	3/4	4	3/4	11	75
4.00	5.50	4.50	1.00	0.94	9.13	9.00	9.44	7.88	7.50	15.00	4	7/8	8	3/4	14	114
6.00	6.00	5.25	1.06	1.00	11.10	11.00	11.89	10.63	9.50	18.50	6	7/8	8	7/8	20	267
8.00	6.50	5.75	1.13	1.13	12.99	13.50	14.33	13.00	11.75	21.90	6	7/8	8	7/8	26	304
10.00	7.25	6.50	1.19	1.19	15.67	16.00	17.32	15.25	14.25	25.50	8	7/8	12	1.00	33	453
12.00	7.50	7.00	1.25	1.25	17.95	19.00	20.00	17.75	17.00	28.70	8	7/8	12	1.00	39	658

* ± 2% TURNS AT STEM NUT.

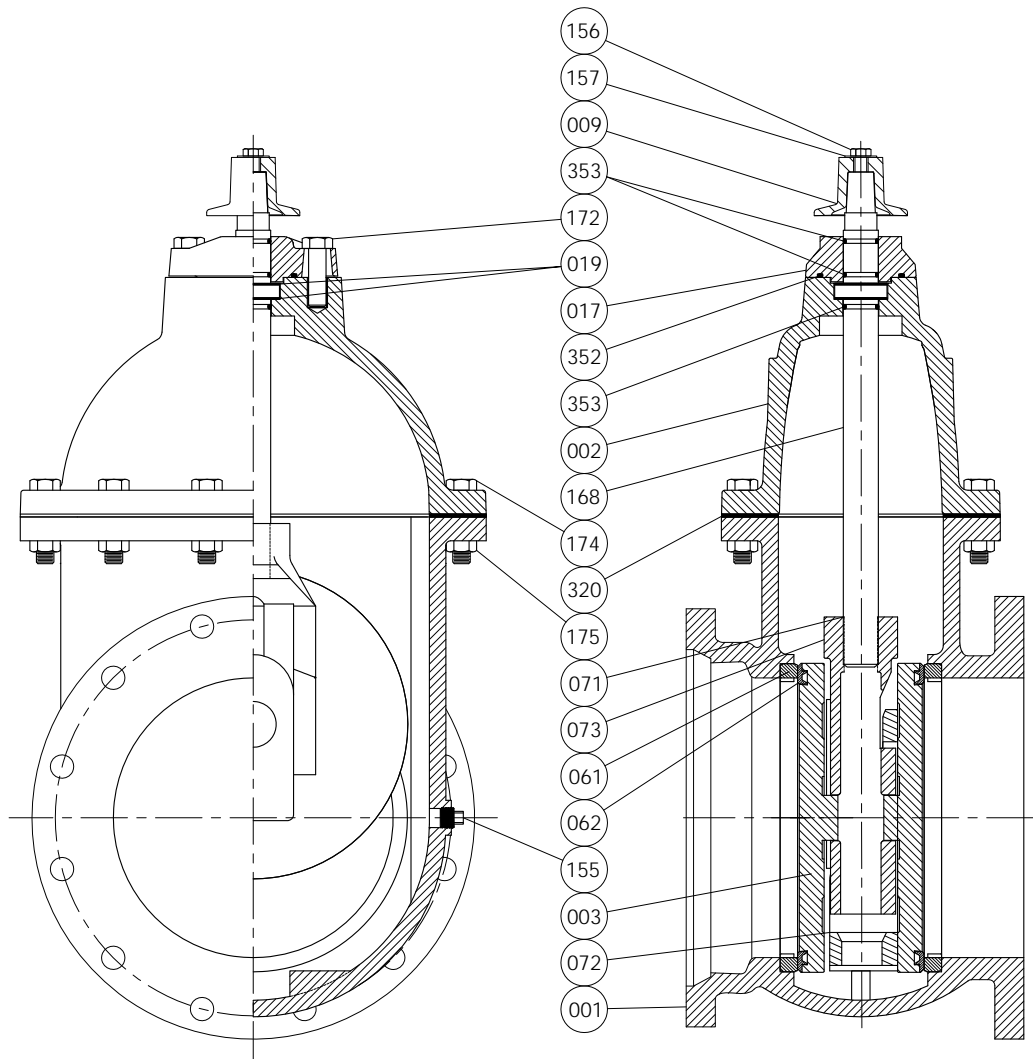


KENNEDY VALVE
 Division of McWane, Inc.
 1021 EAST WATER STREET ELMIRA, NEW YORK 14901

DWN: D SKAKAL
 DATE: 6/7/17
 DWG. NO.
 CAT910C10041-01

TITLE:
SERIES 525 - ROTATING DISC GATE VALVE
 3" - 12" - NRS - O-RING
 FL x MJ - 2" OP. NUT - GD

THIS DRAWING AND ALL INFORMATION IS KENNEDY VALVE PROPERTY AND SHALL NOT BE USED, COPIED, OR REPRODUCED WITHOUT WRITTEN CONSENT. DESIGN AND INVENTION RIGHTS RESERVED.



NO.	DESCRIPTION	MATERIAL	ASTM DESIGNATION
001	BODY	DUCTILE IRON	A536 GRADE 65-45-12/ 70-50-05
002	BONNET	DUCTILE IRON	A536 GRADE 65-45-12/ 70-50-05
003	DISC	DUCTILE IRON	A536 GRADE 65-45-12/ 70-50-05
009	2" SQ. OP. NUT	GRAY IRON	A126 CLASS B
017	SEAL PLATE	DUCTILE IRON	A536 GRADE 65-45-12/ 70-50-05
019	THRUST BEARING	DELRIN	D6778
061	BODY SEAT RING	BRONZE	B148 C95400
062	DISC SEAT RING (3")	BRONZE	B148 C95400
	DISC SEAT RING (4"-12")	BRONZE	B584 C89833
071	STEM NUT	BRONZE	B505 C95400
072	LOWER WEDGE	DUCTILE IRON	A536 GRADE 65-45-12/ 70-50-05
073	UPPER WEDGE	DUCTILE IRON	A536 GRADE 65-45-12/ 70-50-05
155	PIPE PLUG (STANDARD)	STAINLESS STEEL	TYPE 304
	PIPE PLUG (OPTION)	STAINLESS STEEL	TYPE 316
156	OP. NUT HEX NUT (STANDARD)	STAINLESS STEEL	F593 S30400
	OP. NUT HEX NUT (OPTION)	STAINLESS STEEL	F593 S31600

NO.	DESCRIPTION	MATERIAL	ASTM DESIGNATION
157	OP. NUT WASHER (STANDARD)	STAINLESS STEEL	TYPE 304
	OP. NUT WASHER (OPTION)	STAINLESS STEEL	TYPE 316
168	STEM (STANDARD)	BRONZE	B584 C86700
	STEM (OPTION)	BRONZE	B763 C99500
	STEM (OPTION)	STAINLESS STEEL	A276 S30400
	STEM (OPTION)	STAINLESS STEEL	A276 S31600
172	SEAL PLATE BOLT (STANDARD)	STAINLESS STEEL	F593 S30400
	SEAL PLATE BOLT (OPTION)	STAINLESS STEEL	F593 S31600
174	BONNET HEX BOLT (STANDARD)	STAINLESS STEEL	F593 S30400
	BONNET HEX BOLT (OPTION)	STAINLESS STEEL	F593 S31600
175	BONNET HEX NUT (STANDARD)	STAINLESS STEEL	F594 S30400
	BONNET HEX NUT (OPTION)	STAINLESS STEEL	F594 S31600
320	BONNET GASKET	GARLOCK BLUE-GUARD 3200	F104
352	SEAL PLATE O-RING	RUBBER (BUNA-N)	D2000
353	STEM O-RING	RUBBER (BUNA-N)	D2000



KENNEDY VALVE
 Division of McWane, Inc.
 1021 EAST WATER STREET ELMIRA, NEW YORK 14901

DWN: D SKAKAL

DATE: 6/7/17

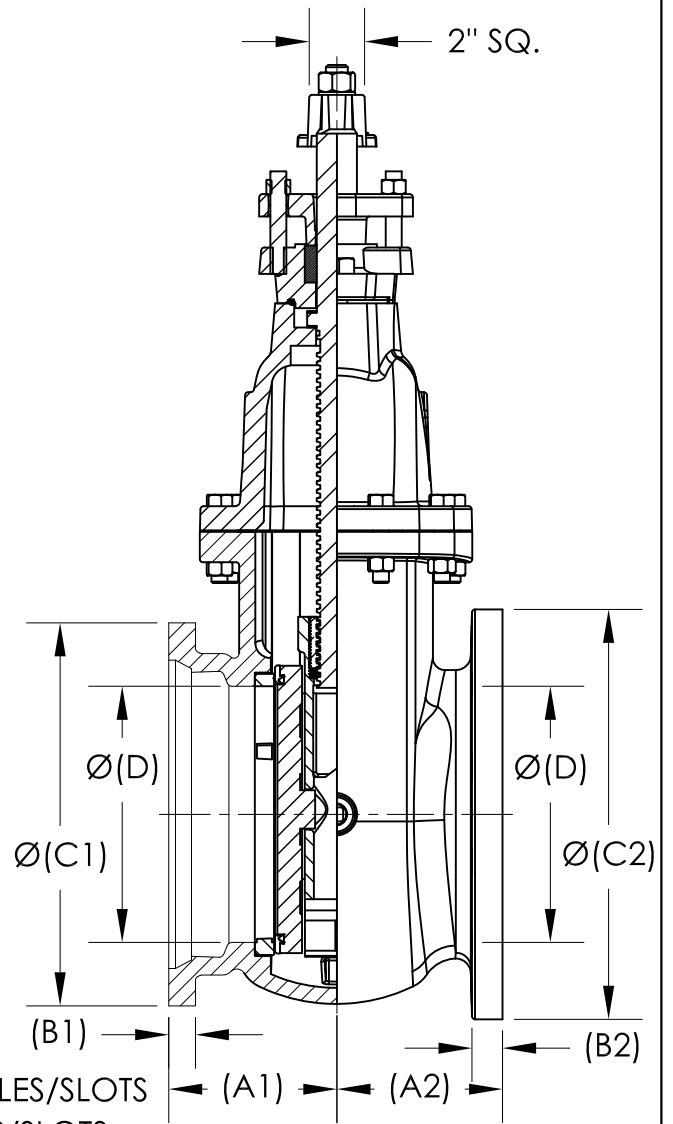
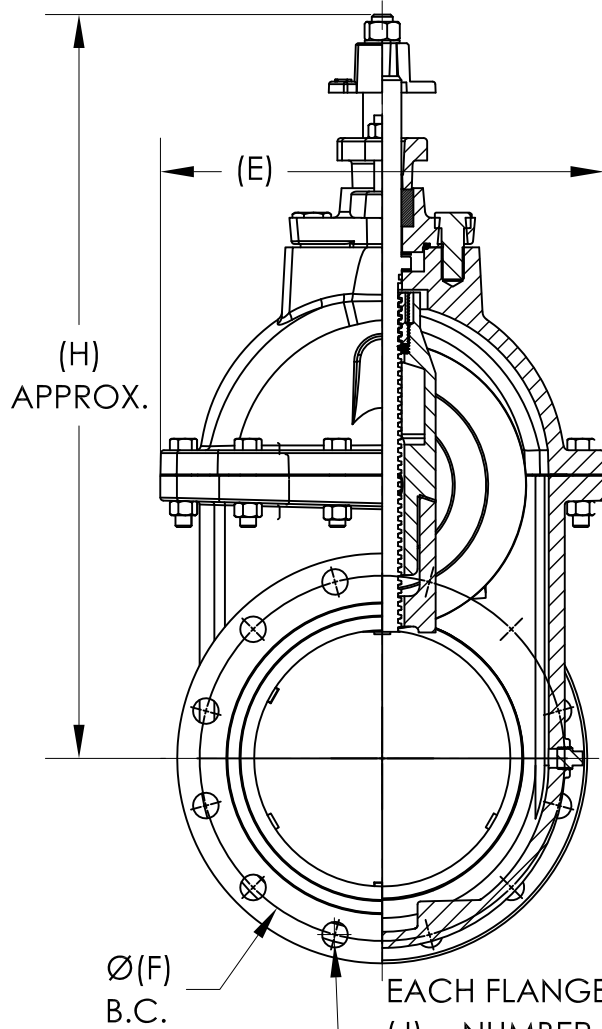
DWG. NO.

CAT910C10042-02

TITLE:

SERIES 525 - ROTATING DISC GATE VALVE
3" - 12" - NRS - O-RING
FL x MJ - 2" OP. NUT - PL

THIS DRAWING AND ALL INFORMATION IS KENNEDY VALVE PROPERTY AND SHALL NOT BE USED, COPIED, OR REPRODUCED WITHOUT WRITTEN CONSENT. DESIGN AND INVENTION RIGHTS RESERVED.



NOTE 1: 12" VALVE SHOWN
 NOTE 2: #1 DIMENSIONS REPRESENT MJ END CONNECTION
 NOTE 3: #2 DIMENSIONS REPRESENT FL END CONNECTION

Ø(K) = SIZE OF HOLES/SLOTS

SIZE Ø(D)	(A1)	(A2)	(B1)	(B2)	Ø(C1)	Ø(C2)	(E)	Ø(F1)	Ø(F2)	(H)	(J1)	Ø(K1)	(J2)	Ø(K2)	# OF TURNS*	APPROX. WEIGHT
3.00	9.00	8.00	0.94	0.75	7.68	7.50	8.35	6.63	6.00	15.20	4	3/4	4	3/4	11	86
4.00	11.00	9.00	1.00	0.94	9.13	9.00	9.44	7.88	7.50	16.80	4	7/8	8	3/4	14	129
6.00	12.00	10.50	1.06	1.00	11.10	11.00	11.89	10.63	9.50	20.10	6	7/8	8	7/8	20	306
8.00	13.00	11.50	1.13	1.13	12.99	13.50	14.33	13.00	11.75	23.80	6	7/8	8	7/8	26	336
10.00	14.50	13.00	1.19	1.19	15.67	16.00	17.32	15.25	14.25	27.90	8	7/8	12	1.00	33	524
12.00	15.00	14.00	1.25	1.25	17.95	19.00	20.00	17.75	17.00	31.80	8	7/8	12	1.00	39	772

* ± 2% TURNS AT STEM NUT.

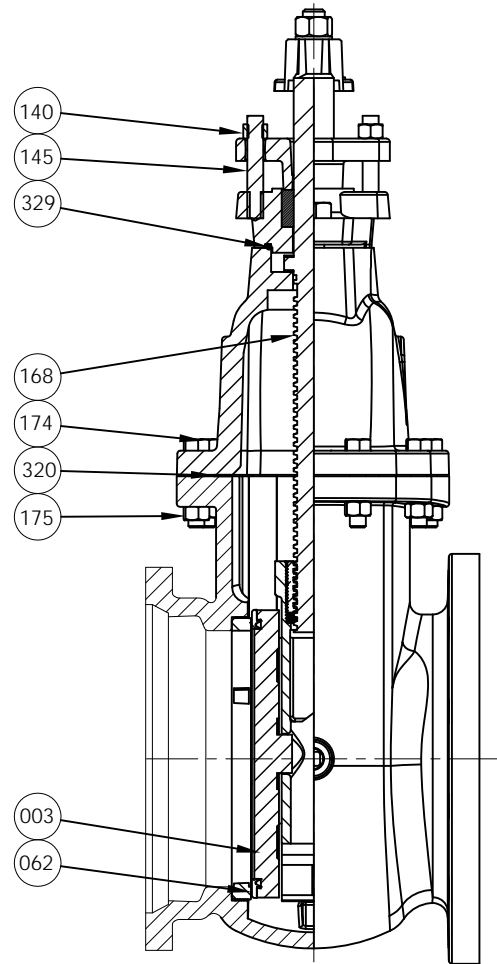
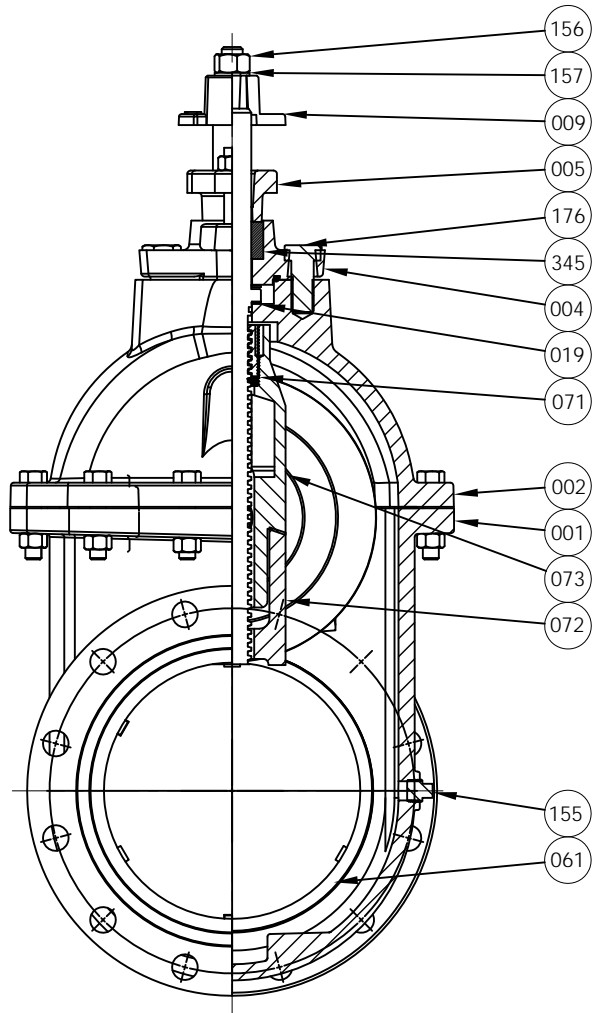


KENNEDY VALVE
 Division of McWane, Inc.
 1021 EAST WATER STREET ELMIRA, NEW YORK 14901

DWN: D SKAKAL
 DATE: 6/7/17
 DWG. NO.
 CAT910C10043-01

TITLE:
SERIES 525 - ROTATING DISC GATE VALVE
 3" - 12" - NRS - PACKING
 FL x MJ - 2" OP. NUT - GD

THIS DRAWING AND ALL INFORMATION IS KENNEDY VALVE PROPERTY AND SHALL NOT BE USED, COPIED, OR REPRODUCED WITHOUT WRITTEN CONSENT. DESIGN AND INVENTION RIGHTS RESERVED.



NO.	DESCRIPTION	MATERIAL	ASTM DESIGNATION
001	BODY	DUCTILE IRON	A536 GRADE 65-45-12
002	BONNET	DUCTILE IRON	A536 GRADE 65-45-12
003	DISC	DUCTILE IRON	A536 GRADE 65-45-12
004	PACKING BOX	DUCTILE IRON	A536 GRADE 65-45-12
005	PACKING GLAND	DUCTILE IRON	A536 GRADE 65-45-12
009	2" SQ. OP. NUT	GRAY IRON	A126 CLASS B
019	THRUST BEARING	PLASTIC	DELRIN
061	BODY SEAT RING	BRONZE	B148 C95400
062	DISC SEAT RING (3")	BRONZE	B148 C95400
	DISC SEAT RING (4"-12")	BRONZE	B584 C89833
071	STEM NUT	BRONZE	B505 C95400
072	LOWER WEDGE	DUCTILE IRON	A536 GRADE 65-45-12
073	UPPER WEDGE	DUCTILE IRON	A536 GRADE 65-45-12
	GLAND BOLT (STANDARD)	STAINLESS STEEL	F593 S30400
140	GLAND BOLT (OPTION)	STAINLESS STEEL	F593 S31600
145	GLAND HEX NUT	BRASS	B124 C36500

NO.	DESCRIPTION	MATERIAL	ASTM DESIGNATION
155	PIPE PLUG (STANDARD)	STAINLESS STEEL	TYPE 304
	PIPE PLUG (OPTION)	STAINLESS STEEL	TYPE 316
156	OP. NUT HEX NUT (STANDARD)	STAINLESS STEEL	F593 S30400
	OP. NUT HEX NUT (OPTION)	STAINLESS STEEL	F593 S31600
157	OP. NUT WASHER (STANDARD)	STAINLESS STEEL	TYPE 304
	OP. NUT WASHER (OPTION)	STAINLESS STEEL	TYPE 316
168	STEM (STANDARD)	STAINLESS STEEL	A276 S30400
	STEM (OPTION)	STAINLESS STEEL	A276 S31600
174	BONNET HEX BOLT (STANDARD)	STAINLESS STEEL	F593 S30400
	BONNET HEX BOLT (OPTION)	STAINLESS STEEL	F593 S31600
175	BONNET HEX NUT (STANDARD)	STAINLESS STEEL	F594 S30400
	BONNET HEX NUT (OPTION)	STAINLESS STEEL	F594 S31600
176	PACKING BOX HEX BOLT	STAINLESS STEEL	F593 S30400
320	BONNET GASKET	GARLOCK	#3200
329	O-RING	RUBBER (BUNA)	D2000
345	PACKING	GARLOCK	STYLE 18



KENNEDY VALVE
 Division of McWane, Inc.
 1021 EAST WATER STREET ELMIRA, NEW YORK 14901

DWN: D SKAKAL

DATE: 6/7/17

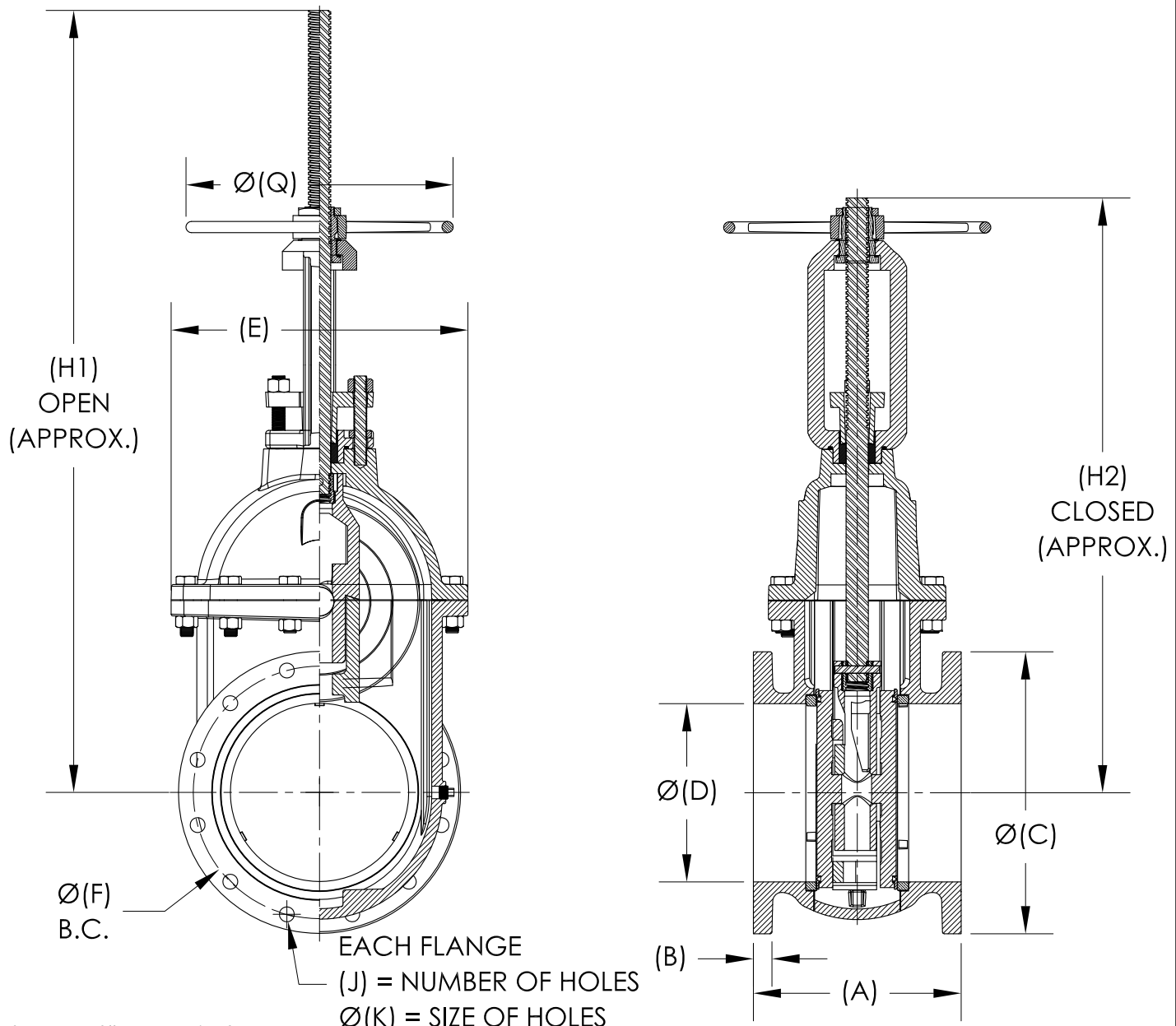
DWG. NO.

CAT910C10044-02

TITLE:

**SERIES 525 - ROTATING DISC GATE VALVE
 3" - 12" - NRS - PACKING
 FL x MJ - 2" OP. NUT - PL**

THIS DRAWING AND ALL INFORMATION IS KENNEDY VALVE PROPERTY AND SHALL NOT BE USED, COPIED, OR REPRODUCED WITHOUT WRITTEN CONSENT. DESIGN AND INVENTION RIGHTS RESERVED.



NOTE: 12" VALVE SHOWN

SIZE Ø(D)	(A)	(B)	Ø(C)	(E)	Ø(F)	(H1)	(H2)	(J)	Ø(K)	-	-	-	Ø(Q)	# OF TURNS*	APPROX. WEIGHT
3.00	8.00	0.75	7.50	8.35	6.00	19.00	15.20	4	3/4	-	-	-	10.00	11	73
4.00	9.00	0.94	9.00	9.44	7.50	22.20	18.30	8	3/4	-	-	-	10.00	14	118
6.00	10.50	1.00	11.00	11.89	9.50	30.10	23.70	8	7/8	-	-	-	12.00	20	199
8.00	11.50	1.13	13.50	14.33	11.75	37.80	29.20	8	7/8	-	-	-	14.00	26	334
10.00	13.00	1.19	16.00	17.32	14.25	45.50	34.90	12	1.00	-	-	-	18.00	33	484
12.00	14.00	1.25	19.00	20.00	17.00	52.70	40.10	12	1.00	-	-	-	18.00	39	704

* ± 2% TURNS AT VALVE STEM.



KENNEDY VALVE
Division of McWane, Inc.
1021 EAST WATER STREET ELMIRA, NEW YORK 14901

DWN: D SKAKAL

DATE: 5/26/17

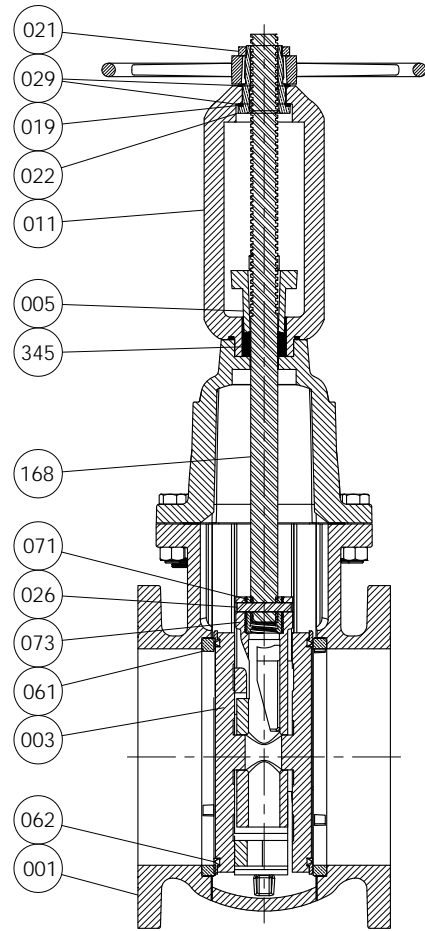
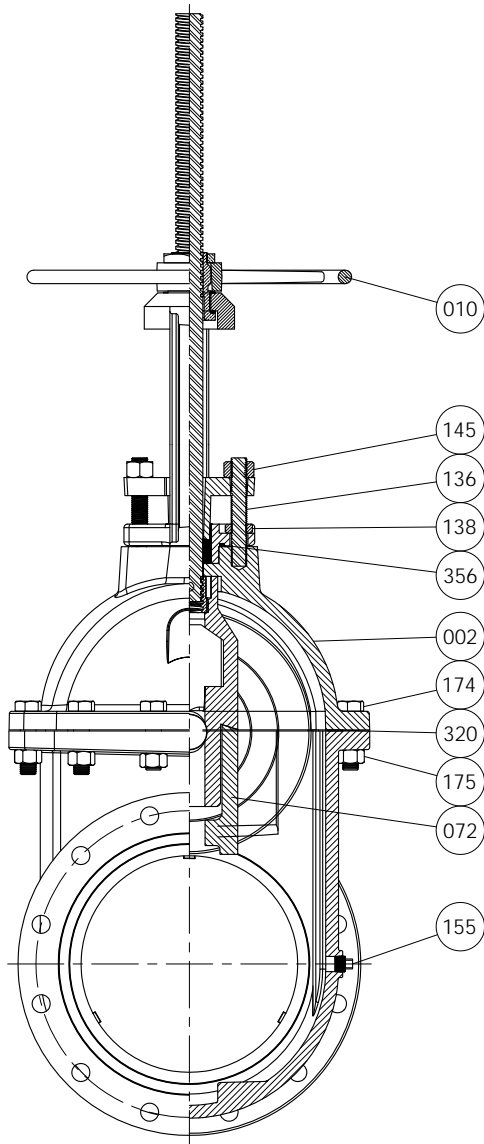
DWG. NO.

CAT910C10049-01

TITLE:

SERIES 50 - ROTATING DISC GATE VALVE
3" - 12" - OS&Y - PACKING
FL x FL - CL125 - HW - GD

THIS DRAWING AND ALL INFORMATION IS KENNEDY VALVE PROPERTY AND SHALL NOT BE USED, COPIED, OR REPRODUCED WITHOUT WRITTEN CONSENT. DESIGN AND INVENTION RIGHTS RESERVED.



NO.	DESCRIPTION	MATERIAL	ASTM DESIGNATION
001	BODY	DUCTILE IRON	A536 GRADE 65-45-12/ 70-50-05
002	BONNET	DUCTILE IRON	A536 GRADE 65-45-12/ 70-50-05
003	DISC	DUCTILE IRON	A536 GRADE 65-45-12/ 70-50-05
005	PACKING GLAND	DUCTILE IRON	A536 GRADE 65-45-12/ 70-50-05
010	HANDWHEEL	DUCTILE IRON	A536 GRADE 65-45-12/ 70-50-05
011	YOKE	DUCTILE IRON	A536 GRADE 65-45-12/ 70-50-05
019	THRUST BEARING	NYLATRON-GS	-
021	WHEEL NUT	BRONZE	A584 C83600/C84400
	YOKE NUT (STANDARD)	BRONZE	B584 C86700
022	YOKE NUT (OPTION)	BRONZE	B763 C99400
	YOKE NUT (OPTION)	410 STAINLESS STEEL	A743 CA15
026	PIN	STAINLESS STEEL	A276 S30400
029	YOKE NUT WASHER	BRONZE	B36 C26000
061	BODY SEAT RING	BRONZE	B148 C95400
	DISC SEAT RING (3")	BRONZE	B148 C95400
062	DISC SEAT RING (4"-12")	BRONZE	B584 C89833
071	STEM NUT	BRONZE	B505 C95400

NO.	DESCRIPTION	MATERIAL	ASTM DESIGNATION
072	LOWER WEDGE	DUCTILE IRON	A536 GRADE 65-45-12/ 70-50-05
073	UPPER WEDGE	DUCTILE IRON	A536 GRADE 65-45-12/ 70-50-05
136	YOKE STUD	STAINLESS STEEL	F593 S31600
138	YOKE HEX NUT	STAINLESS STEEL	F594 S31600
145	GLAND HEX NUT	BRASS	B124 C36500
	PIPE PLUG (STANDARD)	STAINLESS STEEL	TYPE 304
155	PIPE PLUG (OPTION)	STAINLESS STEEL	TYPE 316
	STEM (STANDARD)	STAINLESS STEEL	A276 S30400
168	STEM (OPTION)	STAINLESS STEEL	A276 S31600
	BONNET HEX BOLT (STANDARD)	STAINLESS STEEL	F593 S30400
174	BONNET HEX BOLT (OPTION)	STAINLESS STEEL	F593 S31600
	BONNET HEX NUT (STANDARD)	STAINLESS STEEL	F594 S30400
175	BONNET HEX NUT (OPTION)	STAINLESS STEEL	F594 S31600
	BONNET GASKET	GARLOCK BLUE-GUARD 3200	F104
345	PACKING	GARLOCK STYLE 18	-
356	YOKE O-RING	RUBBER (BUNA-N)	D2000



KENNEDY VALVE
Division of McWane, Inc.
1021 EAST WATER STREET ELMIRA, NEW YORK 14901

DWN: D SKAKAL

DATE: 5/26/17

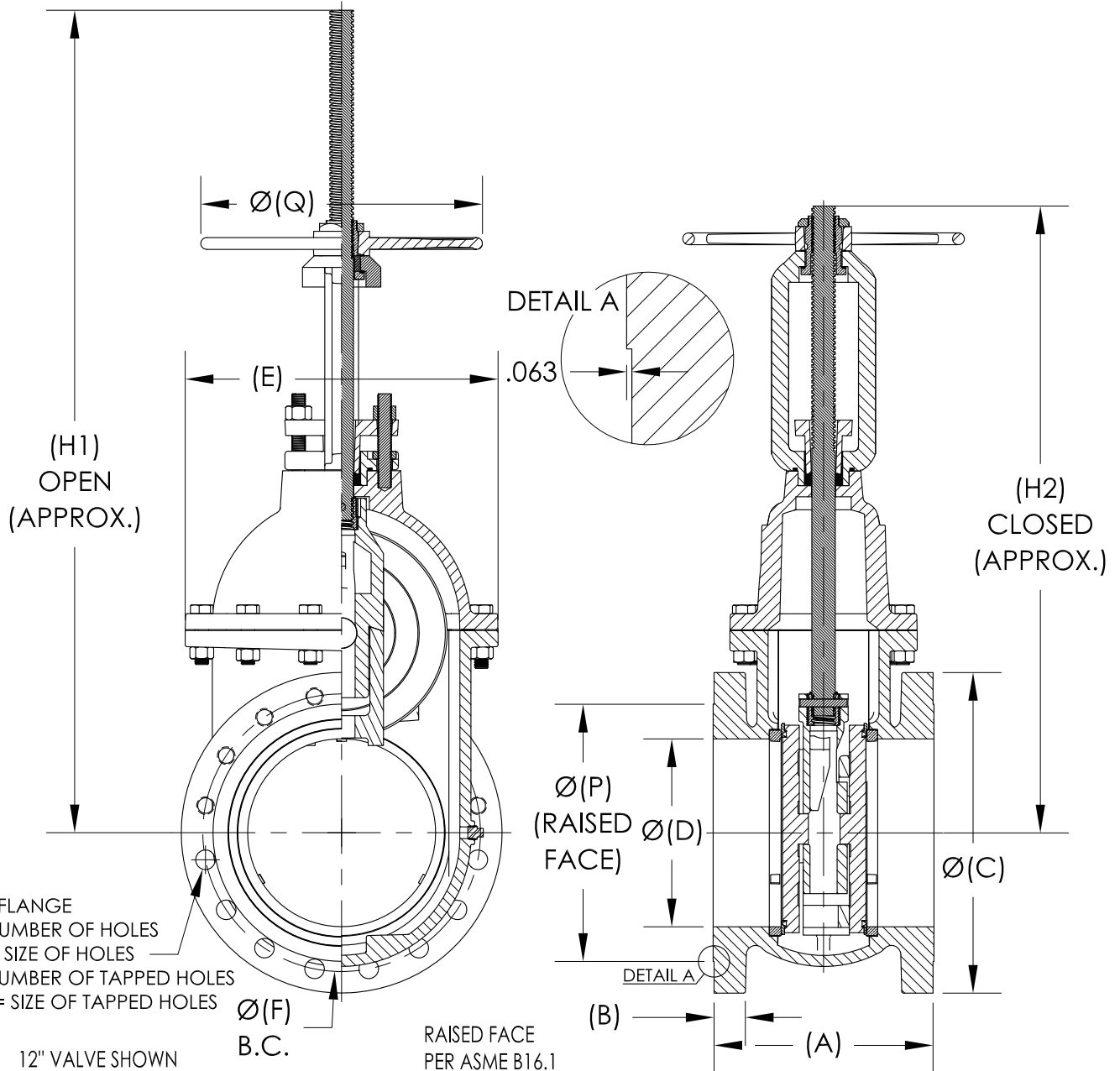
DWG. NO.

CAT910C10050-03

TITLE:

**SERIES 50 - ROTATING DISC GATE VALVE
3" - 12" - OS&Y - PACKING
FL x FL - CL125 - HW - PL**

THIS DRAWING AND ALL INFORMATION IS KENNEDY VALVE PROPERTY AND SHALL NOT BE USED, COPIED, OR REPRODUCED WITHOUT WRITTEN CONSENT. DESIGN AND INVENTION RIGHTS RESERVED.



SIZE Ø(D)	(A)	(B)	Ø(C)	(E)	Ø(F)	(H1)	(H2)	(J)	Ø(K)	(L)	Ø(M)	Ø(P)	Ø(Q)	# OF TURNS*	APPROX. WEIGHT
3.00	8.00	1.13	8.25	8.35	6.63	19.00	15.20	6	7/8	2	3/4 - 10	5.69	10.00	11	73
4.00	9.00	1.25	10.00	9.44	7.88	22.20	18.30	6	7/8	2	3/4 - 10	6.94	10.00	14	118
6.00	10.50	1.44	12.50	11.89	10.63	30.10	23.70	10	7/8	2	3/4 - 10	9.69	12.00	20	199
8.00	11.50	1.63	15.00	14.33	13.00	37.80	29.20	8	7/8	4	7/8 - 9	11.94	14.00	26	334
10.00	13.00	1.88	17.50	17.32	15.25	45.50	34.90	10	1 1/8	6	1.00 - 8	14.06	18.00	33	484
12.00	14.00	2.00	20.50	20.00	17.75	52.70	40.10	8	1 1/4	8	1 1/8 - 7	16.44	18.00	39	704

* ± 2% TURNS AT VALVE STEM.

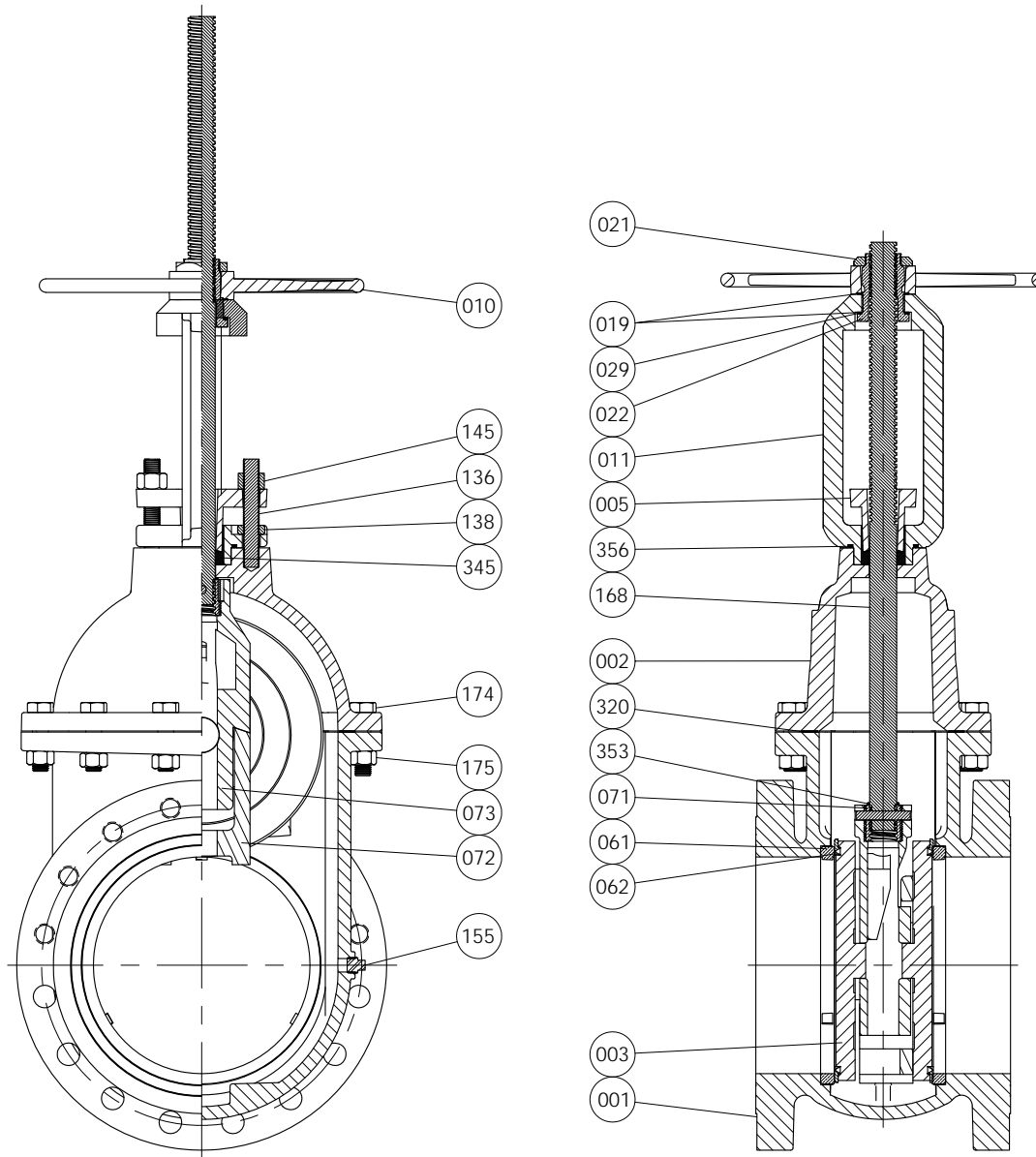


KENNEDY VALVE
 Division of McWane, Inc.
 1021 EAST WATER STREET ELMIRA, NEW YORK 14901

DWN: D SKAKAL
 DATE: 5/31/17
 DWG. NO.
 CAT910C10053-01

TITLE:
SERIES 40 - ROTATING DISC GATE VALVE
3" - 12" - OS&Y - PACKING
FL x FL - CL250 - HW - GD

THIS DRAWING AND ALL INFORMATION IS KENNEDY VALVE PROPERTY AND SHALL NOT BE USED, COPIED, OR REPRODUCED WITHOUT WRITTEN CONSENT. DESIGN AND INVENTION RIGHTS RESERVED.



NO.	DESCRIPTION	MATERIAL	ASTM DESIGNATION
001	BODY	DUCTILE IRON	A536 GRADE 70-50-05
002	BONNET	DUCTILE IRON	A536 GRADE 70-50-05
003	DISC	DUCTILE IRON	A536 GRADE 70-50-05
005	PACKING GLAND	DUCTILE IRON	A536 GRADE 70-50-05
010	HANDWHEEL	DUCTILE IRON	-
011	YOKE	DUCTILE IRON	A536 GRADE 70-50-05
019	THRUST BEARING	NYLATRON	-
021	WHEEL NUT	BRONZE	B584 C86700
022	YOKE NUT	BRONZE	B584 C86700
029	YOKE NUT WASHER	BRASS	B36 C26000
061	BODY SEAT RING	BRONZE	B148 C95400
062	DISC SEAT RING (3")	BRONZE	B148 C95400
	DISC SEAT RING (4"-12")	BRONZE	B584 C89833
071	STEM NUT	ALUMINUM BRONZE	B505 C95400
072	LOWER WEDGE	DUCTILE IRON	A536 GRADE 70-50-05
073	UPPER WEDGE	DUCTILE IRON	A536 GRADE 70-50-05
136	YOKE STUD	STAINLESS STEEL	A193 S30400

NO.	DESCRIPTION	MATERIAL	ASTM DESIGNATION
138	YOKE HEX NUT	STAINLESS STEEL	A194 S30400
145	GLAND HEX NUT	BRASS	F276/ COMMERCIAL BRASS
155	PIPE PLUG (STANDARD)	STAINLESS STEEL	TYPE 304
	PIPE PLUG (OPTION)	STAINLESS STEEL	TYPE 316
168	STEM (STANDARD)	BRONZE	B584 C86700
	STEM (OPTION)	BRONZE	B763 C99500
	STEM (OPTION)	STAINLESS STEEL	A276 S30400
	STEM (OPTION)	STAINLESS STEEL	A276 S31600
174	BONNET HEX BOLT (STANDARD)	STAINLESS STEEL	F593 S30400
	BONNET HEX BOLT (OPTION)	STAINLESS STEEL	F593 S31600
175	BONNET HEX NUT (STANDARD)	STAINLESS STEEL	F594 S30400
	BONNET HEX NUT (OPTION)	STAINLESS STEEL	F594 S31600
320	BONNET GASKET	GARLOCK 3200	-
345	PACKING	GARLOCK STYLE 18	-
353	STEM O-RING	RUBBER (BUNA N)	-
356	YOKE O-RING	RUBBER (BUNA N)	-



KENNEDY VALVE
Division of McWane, Inc.
1021 EAST WATER STREET ELMIRA, NEW YORK 14901

DWN: D SKAKAL

DATE: 5/31/17

DWG. NO.

CAT910C10054-02

TITLE:

**SERIES 40 - ROTATING DISC GATE VALVE
3" - 12" - OS&Y - PACKING
FL x FL - CL250 - HW - PL**

THIS DRAWING AND ALL INFORMATION IS KENNEDY VALVE PROPERTY AND SHALL NOT BE USED, COPIED, OR REPRODUCED WITHOUT WRITTEN CONSENT. DESIGN AND INVENTION RIGHTS RESERVED.