



**KENNEDY VALVE**

# 3"-108" ROTATING DISC GATE VALVE

## CERTIFICATIONS

ISO 9001

ISO 14001

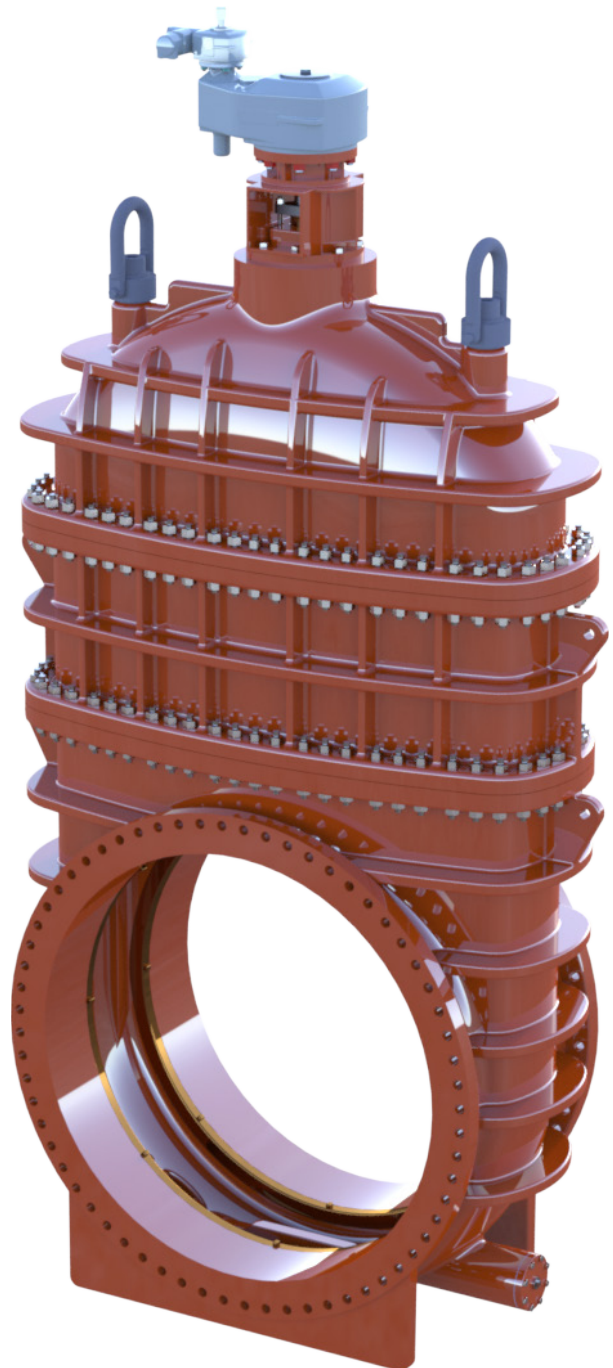
BS OHSAS 18001



**AWWA C500**

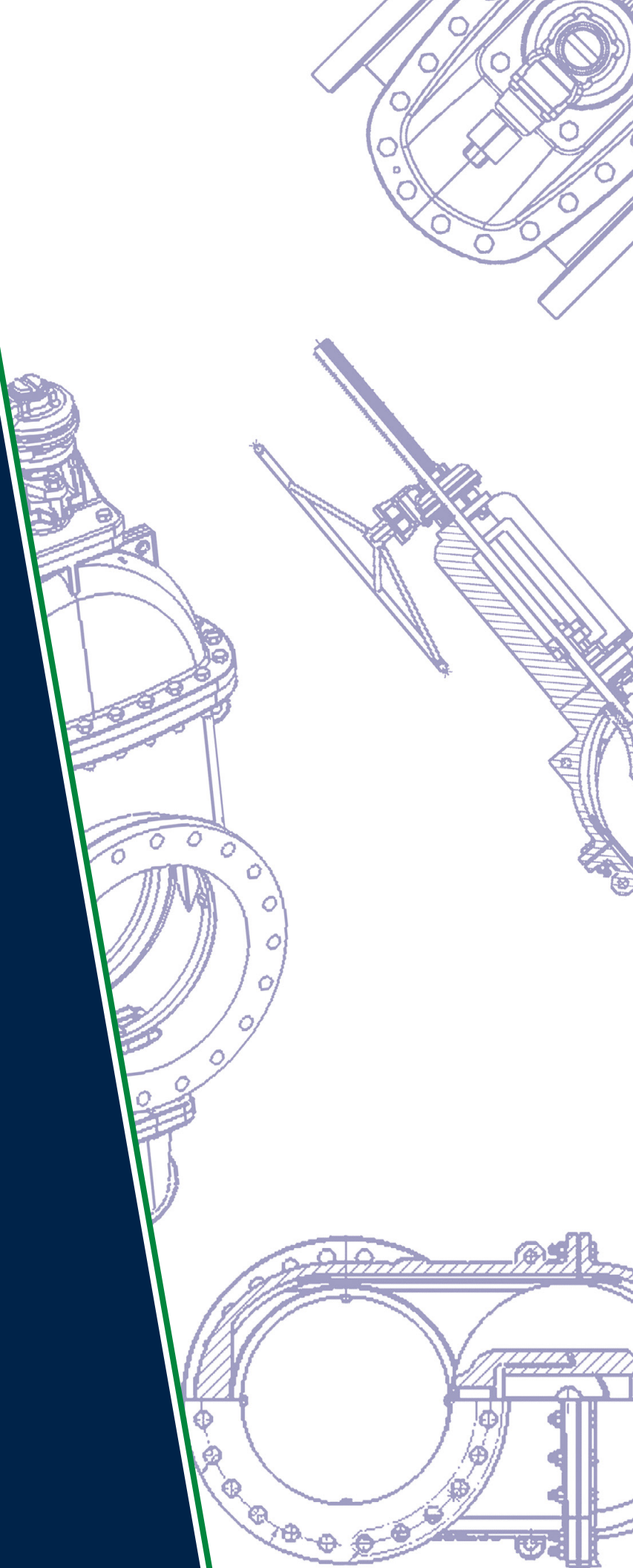


[WWW.KENNEDYVALVE.COM](http://WWW.KENNEDYVALVE.COM)



## TABLE OF CONTENTS

Rotating Disc Gate Valve	Pg. 2
3"-12" Components	Pg. 3
14"-24" Components	Pg. 4
30"-48" Components	Pg. 5
54" & Up Components	Pg. 6
3"-12" General Dimensions	Pg. 7
14"-60" General Dimensions	Pg. 8
Additional Parts & Accessories	Pg. 9
Specifications	Pg. 10



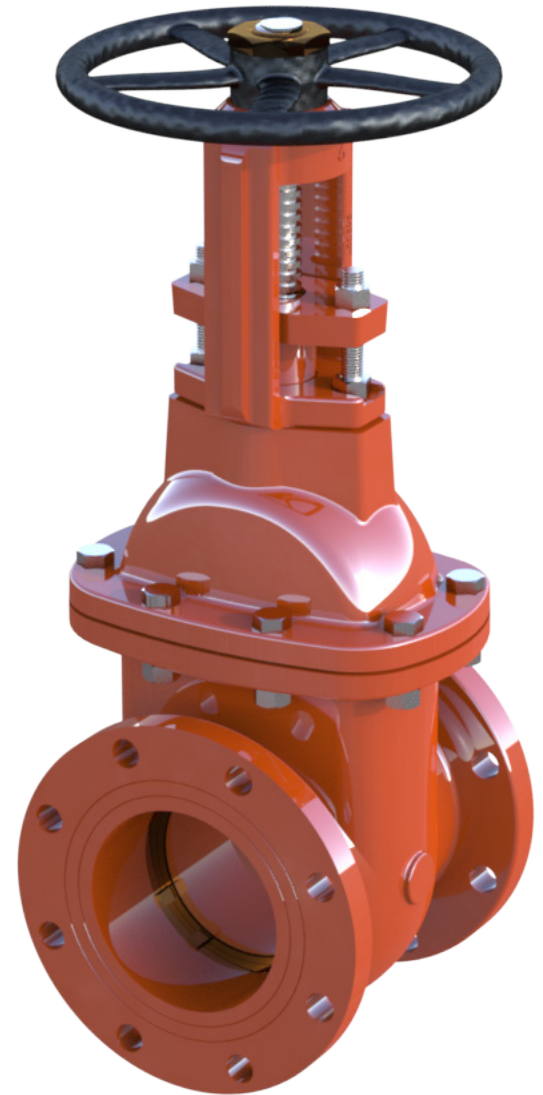
The Kennedy Valve line of Rotating Disc gate valves has been utilized successfully since 1908 in water / wastewater treatment plants and water lines all over the United States. If you are looking for an extended life valve, this valve should be your choice for generations of service.

Kennedy Valve Rotating Disc gate valves clean themselves with every operation. Deposits are removed in travel, so nothing builds up on the seating surfaces that could cause leakage. Discs are free of pockets that could collect solids. The rotating action of the discs creates a different seating position each time the valve is closed. Uneven or excessive wear is prevented, so the sealing components remain smooth and operational years longer without maintenance or replacement. Since the discs rotate, they cannot foul on the body guides.

The superior Kennedy Valve design provides independent wedging and seating action for smoother valve opening and closing with less operating force. Discs are fully interchangeable and reversible, ensuring simple and inexpensive maintenance.

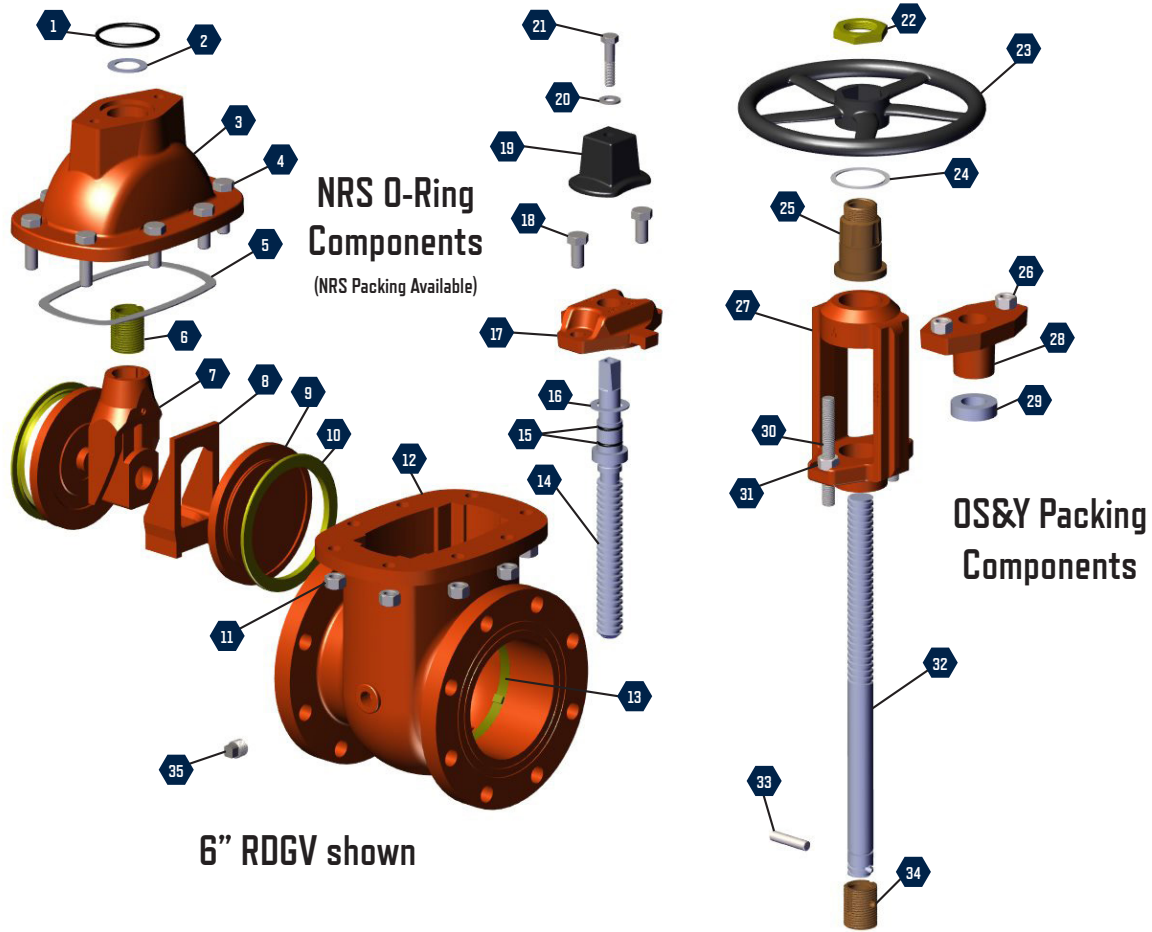
These advantages, along with uncompromising quality control, ensure that Kennedy Valve rotating disc gate valves will be ideal for water and wastewater applications. Kennedy Valve's unique design features make these valves fully capable of taking on services no other metal-seated gate valve can handle.

So for reliability, versatility, and long-life, specify Kennedy Valve rotating disc gate valves.



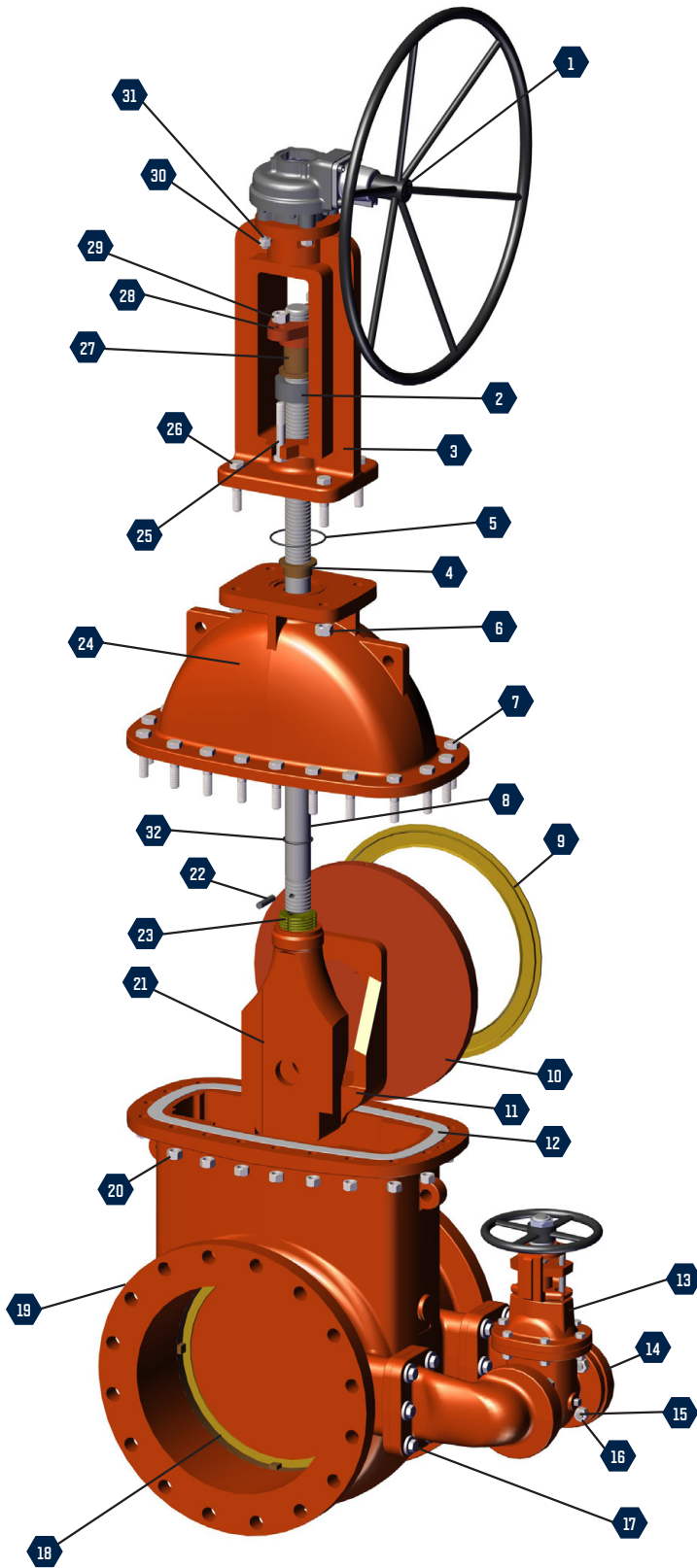
## FEATURES

- Applications: clean water, raw water, waste water
- Complies with AWWA C-500
- NSF-61 approved
- Size range 3" through 108"
- Rated pressures up to 300 psi through 96" size valves.
- Full body ductile iron ASTM A536
- 304 Stainless Steel Stems standard (other materials available)
- Iron Body Bronze Mounting (IBBM)
- Bypasses optional 16" and larger
- Tracks and Scrapers standard on 14" and larger (for horizontal laying application)
- Disc-face tracking available for horizontal-flat installations 14" & up.
- Self-cleaning disc seats
- Non-Rising Stem (NRS) or Outside Screw and Yoke (OS&Y) configurations available
- Internal and external coating suitable for potable water and compliant with AWWA C550
- For vertical installations integrally cast flushing ports available



No.	DESCRIPTION	MATERIAL	No.	DESCRIPTION	MATERIAL
1	Stuffing Box O-Ring	Rubber	19	Op-Nut	Cast Iron
2	Thrust Washer	Plastic	20	Op-Nut Washer	Stainless Steel
3	Bonnet	Ductile Iron	21	Op-Nut Hex Bolt	Stainless Steel
4	Bonnet / Body Hex Bolt	Stainless Steel	22	OS&Y Wheel Nut	Bronze
5	Bonnet / Body Gasket	Garlock #3200	23	Handwheel	Cast Iron
6	NRS Stem Nut	Bronze	24	Yoke Nut Washer	Plastic
7	Upper Wedge	Ductile Iron	25	Yoke Nut	Bronze
8	Lower Wedge	Ductile Iron	26	Packing Gland Nut	Brass
9	Disc	Ductile Iron	27	Yoke	Ductile Iron
10	Disc Seat Ring	Bronze	28	Packing Gland	Ductile Iron
11	Bonnet / Body Hex Nut	Stainless Steel	29	Packing	Garlock Style 18
12	Body	Ductile Iron	30	Yoke Stud	Stainless Steel
13	Body Seat Ring	Bronze	31	Yoke Hex Nut	Stainless Steel
14	NRS O-Ring Stem	Stainless Steel	32	OS&Y Stem	Stainless Steel
15	Stem O-Rings	Rubber	33	OS&Y Stem Pin	Stainless Steel
16	Thrust Washer	Delrin	34	OS&Y Stem Nut	Bronze
17	NRS O-Ring Stuffing Box	Bronze	35	Pipe Plug	Stainless Steel
18	Stuffing Box Hex Bolt	Stainless Steel			

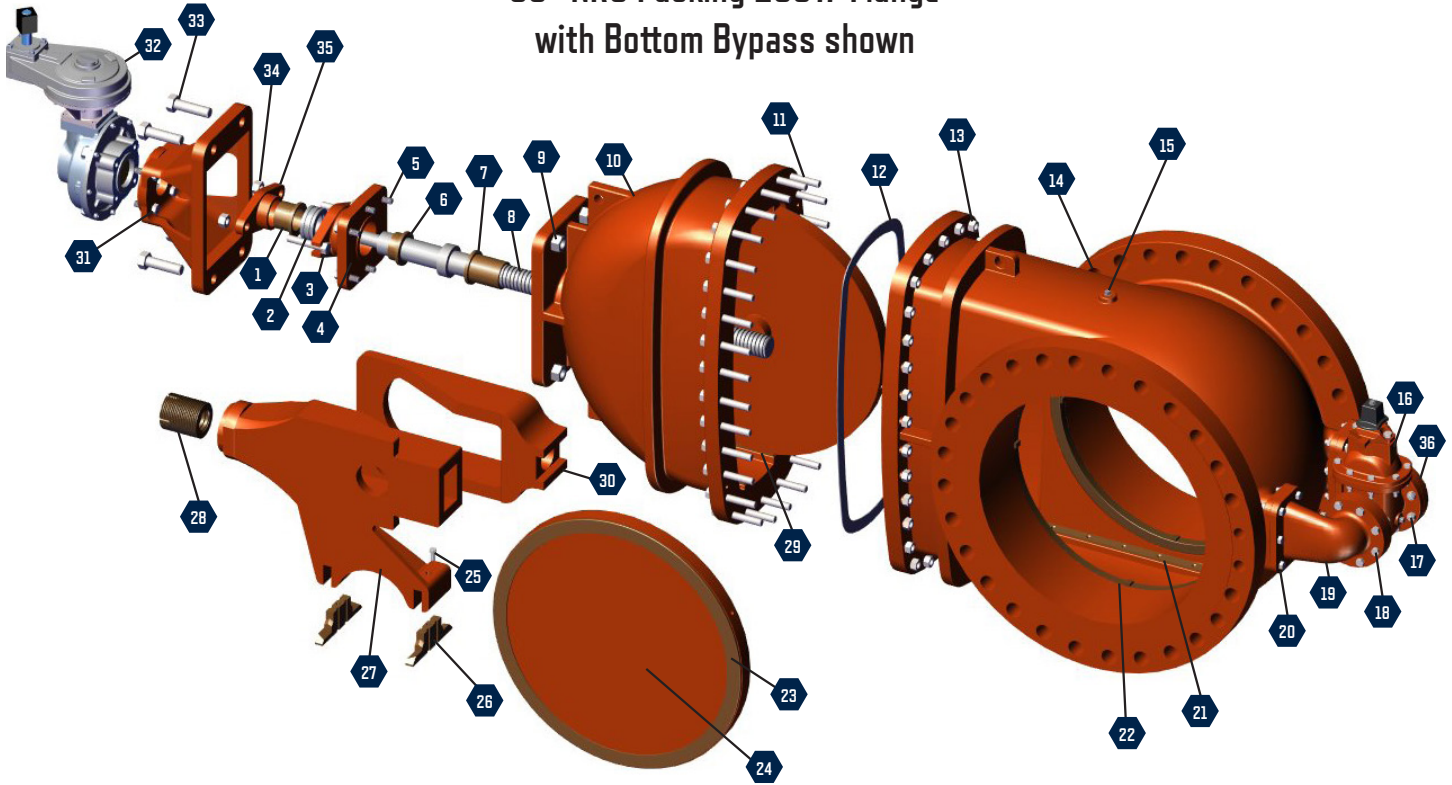




No.	DESCRIPTION	MATERIAL
1	Gear with Handwheel	---
2	Packing	Garlock Style 18
3	Yoke Stand	Ductile Iron
4	Bonnet Bushing	Bronze
5	Stand / Bonnet O-Ring	Stainless Steel
6	Stand / Bonnet Nut	Stainless Steel
7	Bonnet / Body Bolt	Stainless Steel
8	OS&Y Stem	Stainless Steel
9	Disc Seat Ring	Brass
10	Disc	Ductile Iron
11	Lower Wedge	Ductile Iron
12	Bonnet / Body Gasket	Garlock #3200
13	Bypass Valve	<i>see Page 3.</i>
14	Elbow	Ductile Iron
15	Bypass Nut	Stainless Steel
16	Bypass Stud	Stainless Steel
17	Elbow Bolt	Stainless Steel
18	Body Seat Ring	Bronze
19	Body	Ductile Iron
20	Bonnet / Body Nut	Stainless Steel
21	Upper Wedge	Ductile Iron
22	OS&Y Stem Pin	Stainless Steel
23	OS&Y Stem Nut	Bronze
24	Bonnet	Ductile Iron
25	Packing Gland Bolt	Stainless Steel
26	Stand / Bonnet Bolt	Stainless Steel
27	Packing Gland Bushing	Bronze
28	Packing Gland	Ductile Iron
29	Packing Gland Nut	Brass
30	Gear Nut	Stainless Steel
31	Gear Stud	Stainless Steel
32	OS&Y Stem O-Ring	Rubber

**18" OS&Y Packing 125# Flange  
with Side Bypass shown**

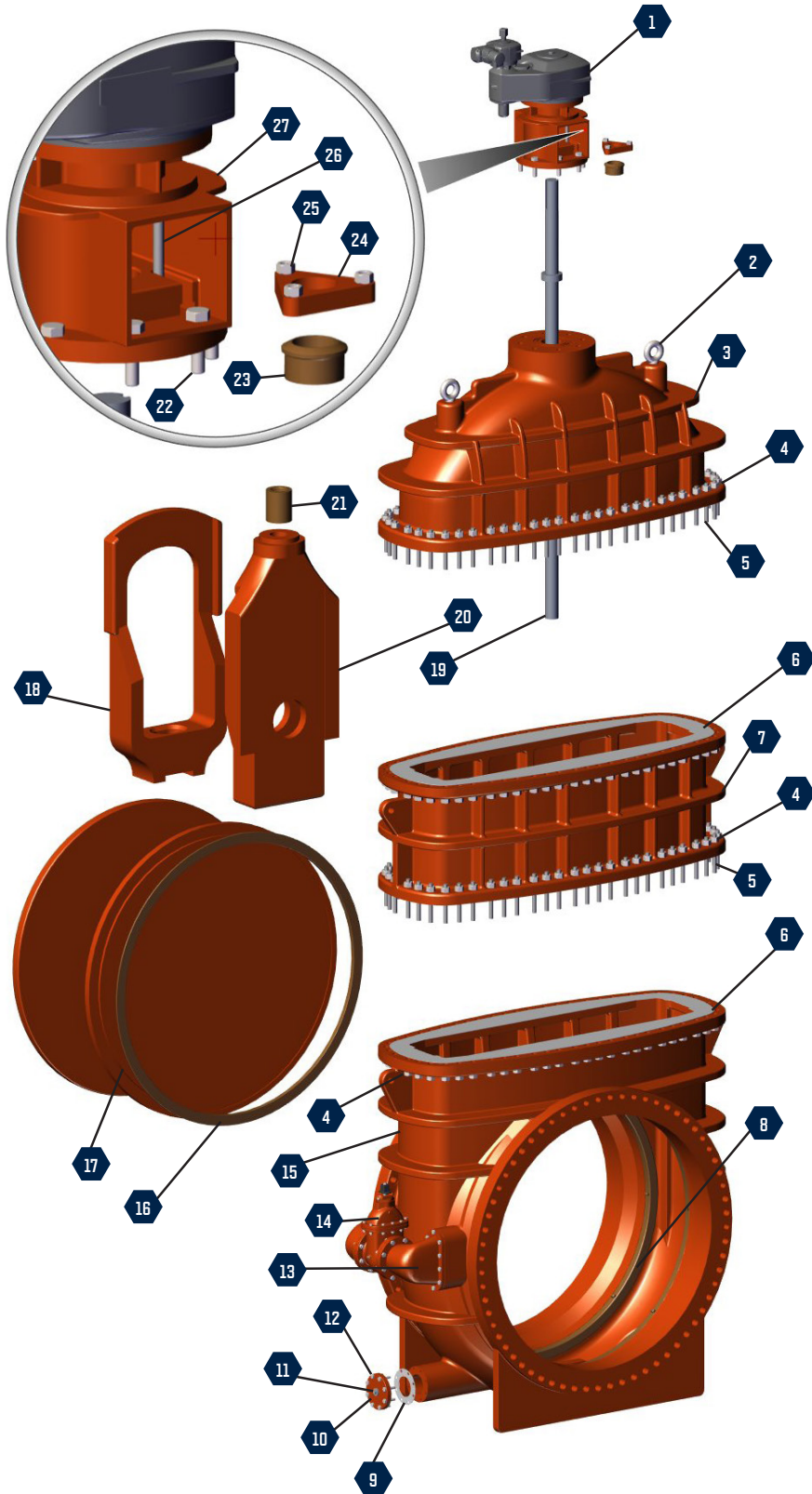
30" NRS Packing 250# Flange with Bottom Bypass shown



No.	DESCRIPTION	MATERIAL	No.	DESCRIPTION	MATERIAL
1	Packing Gland Bushing	Bronze	19	Bypass Elbow †	Ductile Iron
2	Packing	Garlock Style 18	20	Bypass Elbow Bolt †	Stainless Steel
3	Packing Gland Bolt	Stainless Steel	21	Body Guide *	Bronze
4	Stuffing Box	Ductile Iron	22	Body Seat Ring	Bronze
5	Stuffing Box Bolt	Stainless Steel	23	Disc Seat Ring	Brass
6	Stuffing Box Bushing	Bronze	24	Disc	Ductile Iron
7	Bonnet Bushing	Bronze	25	Scraper Bolt *	Stainless Steel
8	NRS Stem	Stainless Steel	26	Scraper *	Bronze
9	Stand / Bonnet Nut	Stainless Steel	27	Upper Wedge with Scraper Arm *	Ductile Iron
10	Bonnet	Ductile Iron	28	Stem Nut	Bronze
11	Bonnet / Body Bolt	Stainless Steel	29	Bonnet Guide *	Bronze
12	Bonnet / Body Gasket	Garlock #3200	30	Lower Wedge	Ductile Iron
13	Bonnet / Body Nut	Stainless Steel	31	Gear Bolts	Stainless Steel
14	Series 42 BPB Body	Ductile Iron	32	Gearing	--
15	Pipe Plug	Stainless Steel	33	Stand Bolt	Stainless Steel
16	Bypass Valve †	see Page 3.	34	Packing Gland Nut	Brass
17	Bypass Valve Stud †	Stainless Steel	35	Packing Gland	Ductile Iron
18	Bypass Valve Nut †	Stainless Steel	36	Bypass Valve Gasket	Garlock #3200

\* Only Available in Horizontal Applications

† Optional

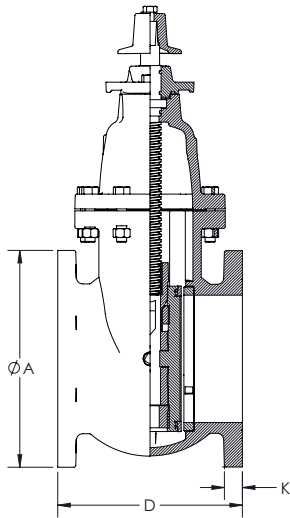


No.	DESCRIPTION	MATERIAL
1	Gearing	---
2	Eye Bolt	Stainless Steel
3	Bonnet	Ductile Iron
4	Bonnet / Intermediate / Body Nut	Stainless Steel
5	Bonnet / Intermediate / Body Stud	Stainless Steel
6	Bonnet / Intermediate / Body Gasket	Garlock #3200
7	Intermediate	Ductile Iron
8	Body Seat Ring	Bronze
9	Flushing Port Gasket *	Garlock #3200
10	Flushing Port Bolt *	Stainless Steel
11	2" Pipe Plug *	Stainless Steel
12	Flushing Port Plate *	Ductile Iron
13	Elbow	Ductile Iron
14	Bypass Valve *	see Page 3.
15	Body with BPS & FP	Ductile Iron
16	Disc Seat Ring	Bronze
17	Disc	Ductile Iron
18	Lower Wedge	Ductile Iron
19	NRS Stem	Stainless Steel
20	Upper Wedge	Ductile Iron
21	Stem Nut	Bronze
22	Stand / Bonnet Bolt	Stainless Steel
23	Follower Gland Bushing	Bronze
24	Follower Gland	Ductile Iron
25	Follower Gland Nut	Brass
26	Follower Gland Bolt	Stainless Steel
27	NRS Packing Stand	Ductile Iron

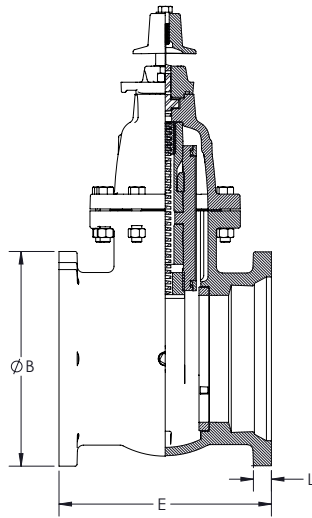
\* Optional

## 84" NRS Packing with Side Bypass & Flushing Point shown

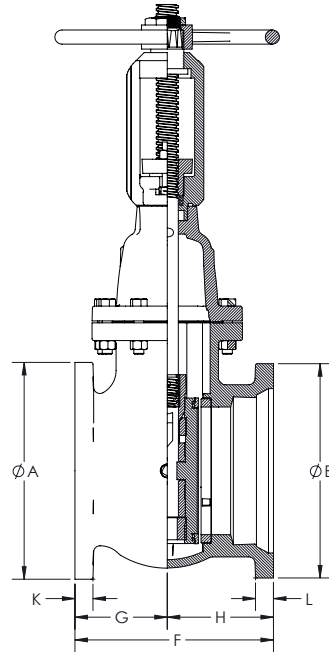
Note: 66" & up require intermediate



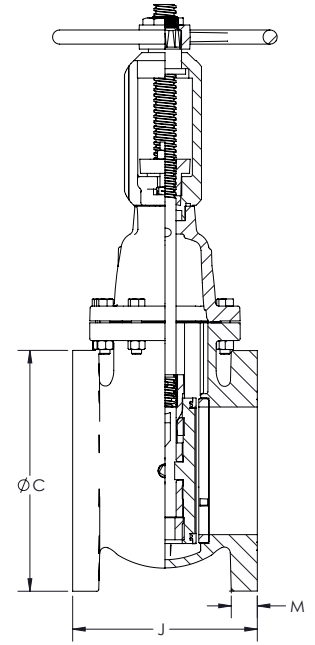
Flange x Flange



Mechanical Joint x Mechanical Joint

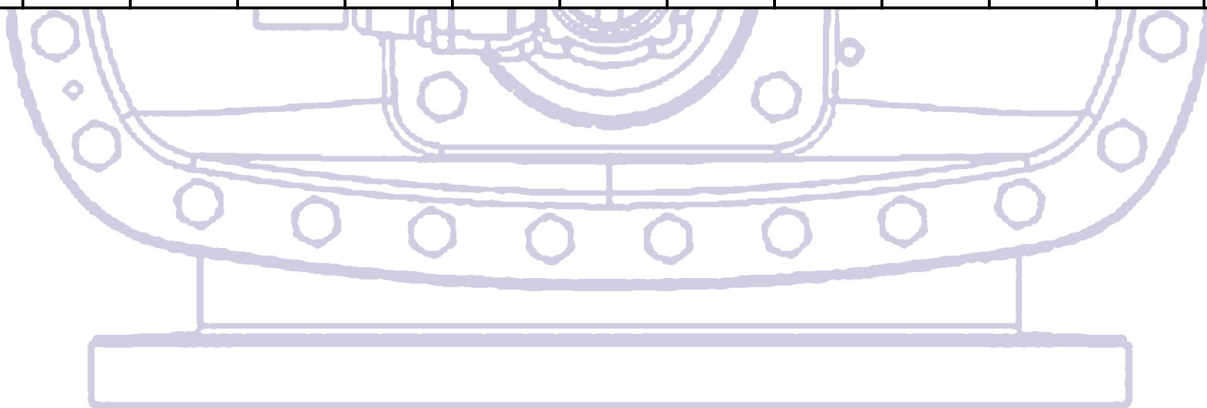


Flange x Mechanical Joint



250# Flange x 250# Flange

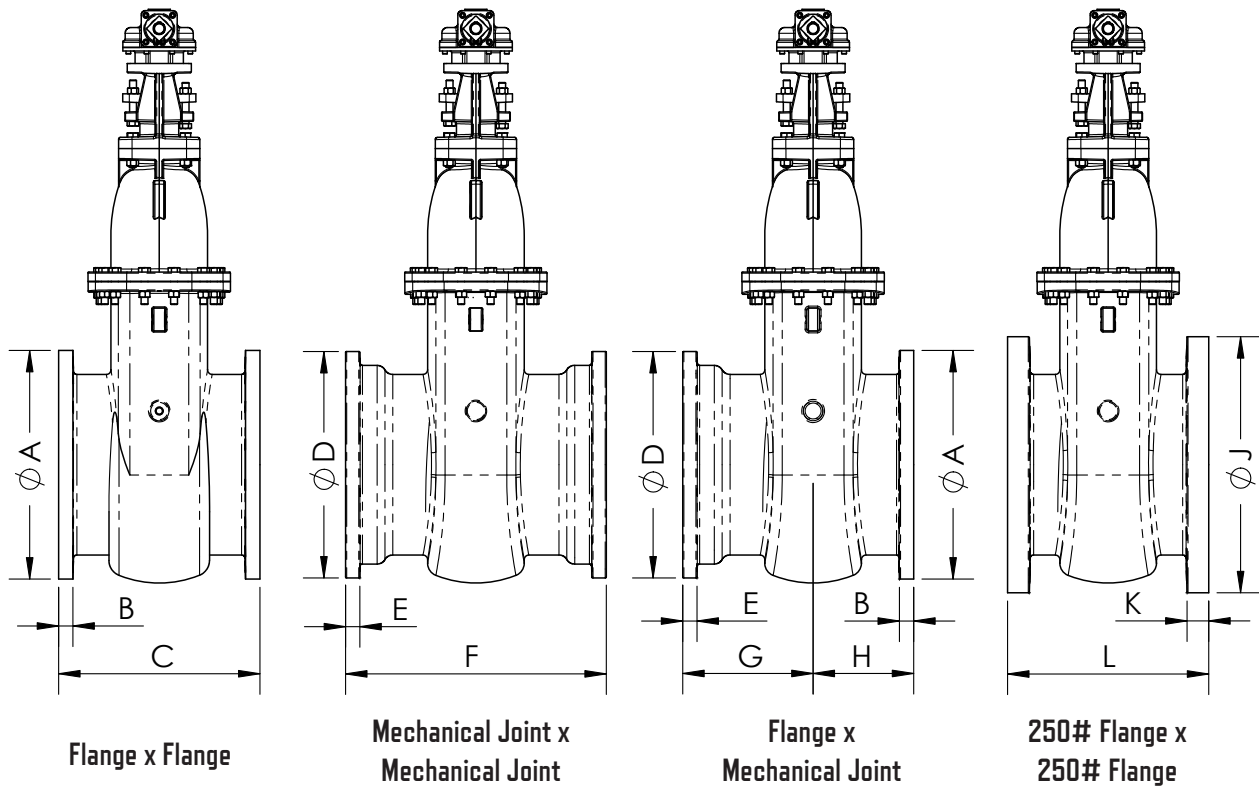
3"-12" General Dimensions												
SIZE	A	B	C	D	E	F	G	H	J	K	L	M
3"	7.50	7.68	8.25	8.00	9.00	8.50	4.00	4.50	8.00	0.75	0.94	1.12
4"	9.00	9.12	10.00	9.00	11.00	10.00	4.50	5.50	9.00	0.95	1.00	1.25
6"	11.00	11.12	12.50	10.50	12.00	11.25	5.25	6.00	10.50	1.00	1.06	1.44
8"	13.50	13.38	15.00	11.50	13.00	12.25	5.75	6.50	11.50	1.12	1.12	1.63
10"	16.00	15.67	17.50	13.00	14.00	13.75	6.50	7.25	13.00	1.19	1.19	1.88
12"	19.00	17.94	20.50	14.00	15.00	14.50	7.00	7.50	14.00	1.25	1.25	2.00





# 14"-60" GENERAL DIMENSIONS

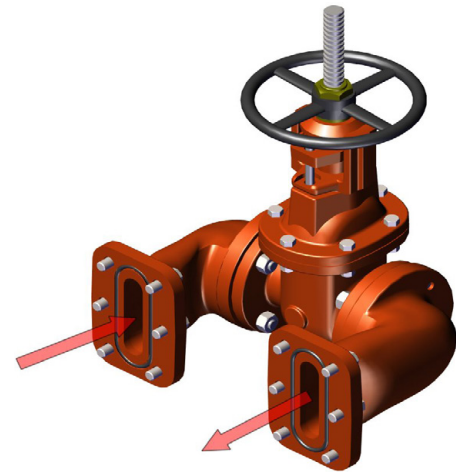
RDGV



14" - 60" General Dimensions											
SIZE	A	B	C	D	E	F	G	H	J	K	L
14	21.00	1.38	15.00	20.25	1.31	21.00	7.50	7.50	23.00	2.13	15.00
16	23.50	1.44	20.50	22.56	1.38	21.00	10.50	10.25	25.50	2.25	20.50
18	25.00	1.56	22.00	24.75	1.44	28.50	14.25	11.00	28.00	2.38	22.00
20	27.50	1.69	22.75	27.00	1.50	25.75	12.88	11.38	30.50	2.50	22.75
24	32.00	2.00	27.00	31.63	1.63	28.50	14.25	13.50	36.00	2.75	27.00
30	38.75	2.12	30.00	39.13	1.63	38.50	19.25	15.00	43.00	3.00	30.00
36	46.00	2.38	33.00	46.00	2.00	42.00	21.00	16.50	50.00	3.38	33.00
42	53.00	2.63	35.75	53.13	2.00	44.00	22.00	17.88	57.00	3.69	35.75
48	59.50	2.75	40.00	60.00	2.00	48.00	24.00	20.00	65.00	4.00	40.00
54	66.25	3.13	46.25								
60	73.00	3.13	36.75								

## BYPASS VALVES

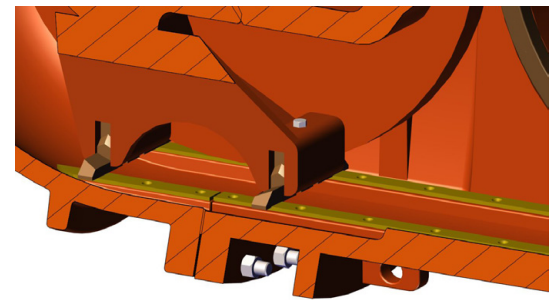
The main purpose of a Bypass Valve is to help with direct pressure on the disc seat. It is safer and helps prevent damaging the main valves seat when opening the bypass valve prior to the main valve. A bypass valve is offered in both vertical and horizontal positions, and in either packing, o-ring, NRS, or OS&Y. Bypass Valves are only offered on valves 16" and up.



3" Bypass Valve

## TRACKS & SCRAPERS

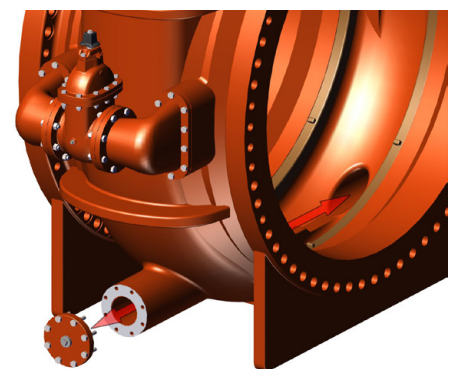
Sediment Build up is a common problem in most valves due to a lack of being cycled often. Rotating Disc Valves get their name from the rotating disc and disc ring action that acts as a scraper across the seat rings that are in the body. The other components that help against sediment build up are the two scrapers that are attached to a modified upper wedge with an arm. The bronze scrapers ride on brass body and bonnet guides that are screwed into place while the valve is operating. In the horizontal position the scraper arm and scrapers also act as a guide and keep the disc assembly from putting extra stress on the stem while the valve is being opened. Tracks and scrapers are only offered in 14" and up valves in the horizontal position.



18" Scraper

## FLUSHING PORTS

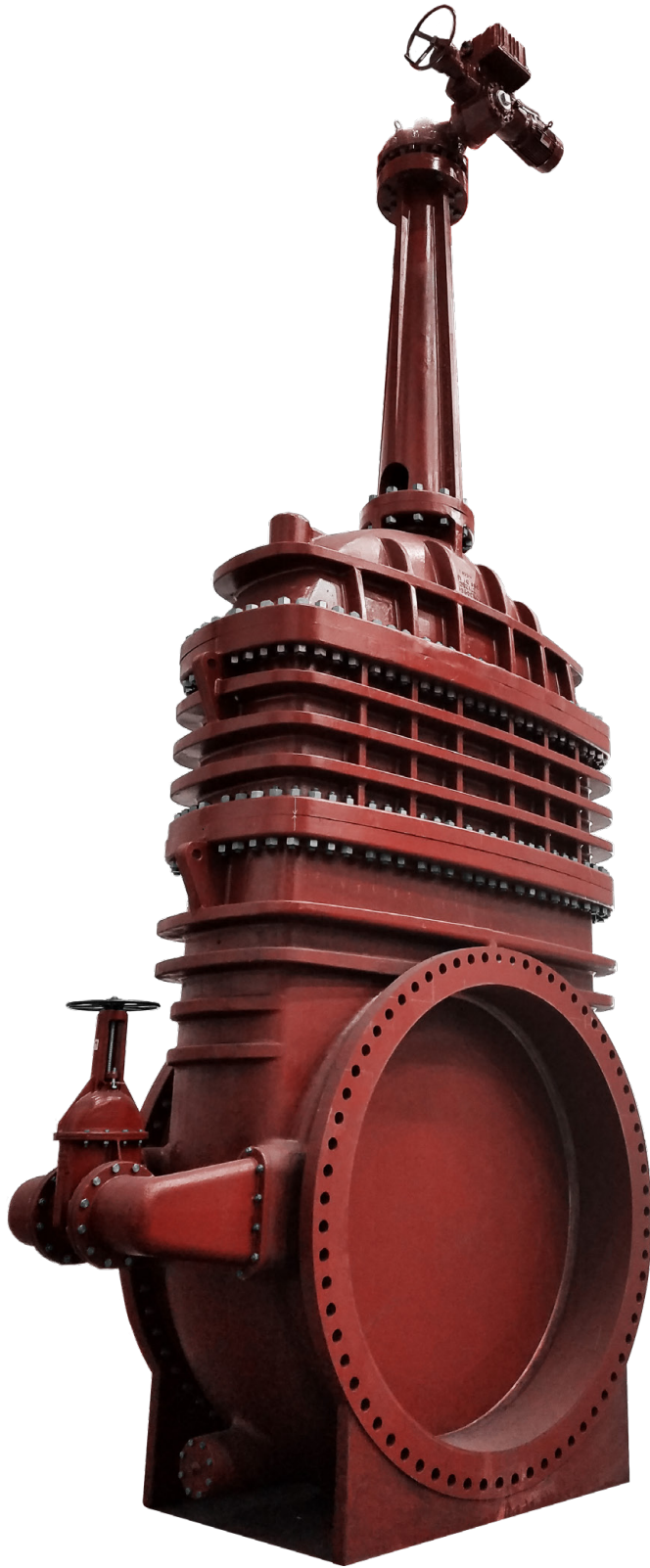
Another tool to help sediment build up in valves that aren't operated regularly is Flushing Ports. The purpose of Flushing Ports are to help clean out the extra waste that can settle in the bottom of the valve. Flushing Ports are offered in valves 14" and up and can be placed in the vertical valve position.



84" Flushing Port

## ROTATING DISC GATE VALVES 3" - 108"

1. Manufacturers:
  - a. Kennedy Valve
  - b. At least 10 years waterworks or treatment plant experience.
2. Compliant with AWWA C500 (latest revision)
3. Materials:
  - a. Valve Body, Bonnet, Discs, Wedges: Ductile Iron ASTM-A536 (65/45/12).
  - b. Scraper, Stem Nut, Disc and Body Seat Rings: Bronze, B62/B505.
  - c. Ductile Iron Wedge Bearing Surfaces: Type 316 Stainless Steel.
  - d. Stem: 304 Stainless Steel ASTM-A276 (standard). (Consult factory for other stem materials.)
  - e. Valve Bolts and Nuts: Type 304 or 316 Stainless Steel ASTM F593/F594
4. Valve Construction -Rated Working Pressure:
  - a. Valves 3"–108": up to 250 psi (standard).
  - b. Customer to specify working and test pressure.
5. Stem Seals: OS&Y and NRS valves equipped with conventional packing (standard). NRS valves with redundant O-ring seals available (consult factory).
6. Two 360-degree ductile iron rotating discs, interchangeable and field replaceable without removal of valve body from pipeline. Discs and wedges free of any type pockets, linkages and pins
7. Self-adjusting bronze scrapers allow valve mounting in horizontal position or angle as specified from vertical or horizontal center lines.
8. Provide stems (NRS) with integral thrust collar (304 Stainless Steel, standard).
9. Where specified, valve body to have electric motor mounting pads.
10. Full port body design shall provide clear and unobstructed waterway for pigging of pipelines.
11. Horizontally installed valves shall be equipped with bronze tracks on the bottom side, providing smooth bearing surfaces for the discs to rotate freely throughout the entire travel.
12. Valve design to allow complete re-packing of valve stem under pressure when valve is in full open position.
13. Where specified, provide bypass valve bolted to bottom or side of main valve body. Provide valve type and material as specified.
14. Where specified, provide valve body with two integrally cast flushing ports for gate valve sized 14" and larger for valve in upright installation orientation. Drain plugs will not be accepted.
15. End connections, provide type as specified:
  - a. Flanged ASME B16.1 Class 125 or 250.
  - b. Mechanical Joint.
  - c. Mechanical Joint by Flange.
16. Geared Operators for all 14" and larger valves (as required).
  - a. Spur or bevel gearing as determined by valve application and orientation.
  - b. Buried valves shall have totally enclosed gear cases.
17. Factory test each valve per AWWA C-500 (latest revision).
18. Two part NSF-61 approved epoxy on the exterior and interior of valve.



## 96" ROTATING DISC GATE VALVE



**KENNEDY VALVE**

### ORDERING INFORMATION

**PH:** 800-782-5831  
607-734-2211  
**FAX:** 800-952-4771

[KNV.PIV.SALES@McWANE.COM](mailto:KNV.PIV.SALES@McWANE.COM)  
[WWW.KENNEDYVALVE.COM](http://WWW.KENNEDYVALVE.COM)

### KENNEDY VALVE

1021 E. WATER ST.  
ELMIRA, NY  
14902-1516



For Generations

RDGV REV 0: APR 2019